



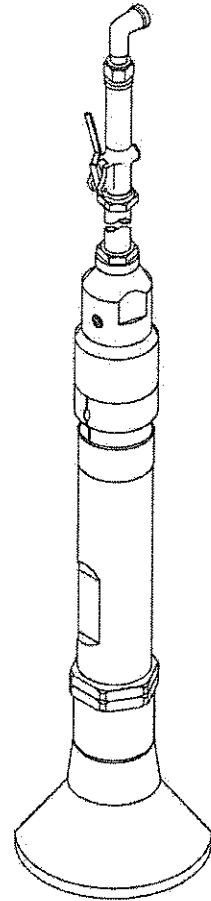
**Chicago  
Pneumatic**

Crowder Supply Co, Inc. 8495 Roslyn St Commerce City, CO 80022 (303) 433-5144 FAX: (303) 433-3928 Toll Free: (888) 883-5144 www.crowdersupply.com

## **Spare parts list**

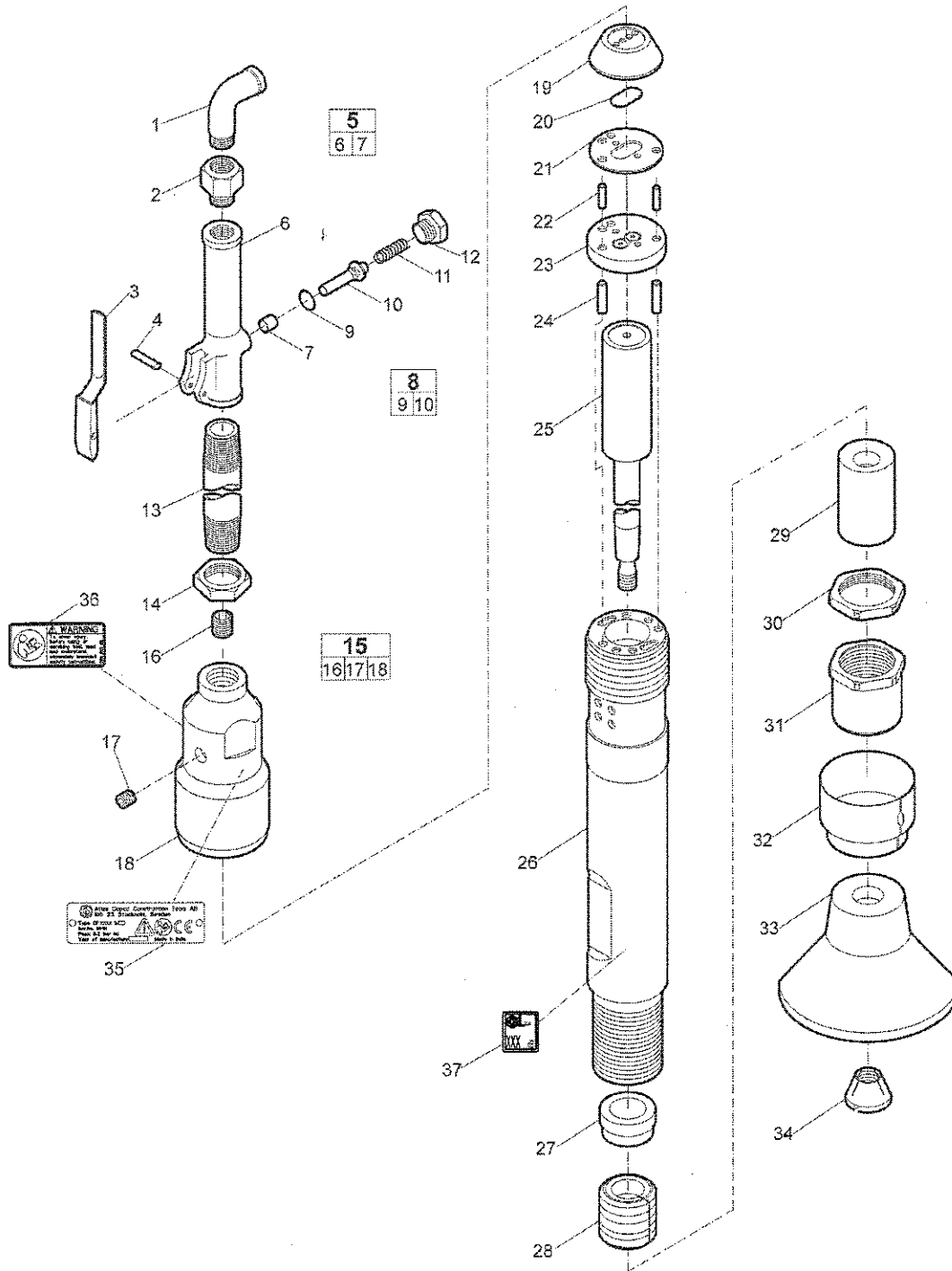
### **Pneumatic tampers**

### **CP 0003**



# Spare parts list

Crowder Supply Co., Inc. 8495 Roslyn St Commerce City, CO 80022 (303) 433-5144 FAX: (303) 433-3928 Toll Free: (888) 883-5144 www.crowdersupply.com



No.	Description	Remark	Quantity	Part number
1	Elbow - Street	½" - 90	1	R072457
2	Strainer - Air		1	P001995
3	Lever - Valve		1	P001903
4	Pin - Lever		1	P001921
<b>5(6-7)</b>	<b>Body - Throttle valve, complete</b>		1	P007350
6	Body - Throttle valve		1	-
7	Bushing - Throttle valve		1	P001814
<b>8(9-10)</b>	<b>Valve - Throttle, complete</b>		1	P087671
9	O-ring		1	CA088867
10	Valve - Throttle		1	-
11	Spring - Throttle valve		1	P001858
12	Cap - Valve		1	P001964
13	Pipe - Extension		1	P071147
14	Locknut - Pipe		2	F003087
<b>15(16-18)</b>	<b>Cylinder head, complete</b>		1	P078139
16	Plug - Oil regulating		1	P084132
17	Plug - Filler		1	C068799
18	Cylinder head		1	-
19	Lid - Upper case		1	P073185
20	Valve		1	P071358
21	Case - Valve		1	P073187
22	Dowel - Valve case		2	P073120
23	Lid - Lower case		1	P073118
24	Dowel - Cylinder		2	P073119
25	Piston		1	P089009
26	Cylinder		1	-
27	Bushing - Piston rod		1	P070649
28	Packing - Piston		1	P071390
29	Bushing - Piston rod		1	P070646
30	Locknut - Retainer		1	P070931
31	Retainer - Piston bushing		1	P070651
32	Deflector - Exhaust		1	P070643
33	Butt	Aluminum. Ø127 mm Ø5 in	1	P089008
34	Locknut - Butt		1	P089006
35	Data plate		1	-
36	Safety label		1	3310 1602.00
37	Sound power label		1	-

## Accessories

### Butts

#### Metric

Description	Remark	Diameter (mm)	Part number
Butt	Cast iron	146	3303 0050 82
Butt, concave	Cast iron	-	3303 0050 84
Butt	Aluminum	127	P089008

#### Imperial

Description	Remark	Diameter (in)	Part number
Butt	Cast iron	5 $\frac{3}{4}$	3303 0050 82
Butt, concave	Cast iron	-	3303 0050 84
Butt	Aluminum	5	P089008

### Hose rolls

#### Metric

Description	Inner diameter (mm)	Thickness (mm)	Maximum working pressure (bar)	Length of roll (m)	Weight (kg)	Part number
Red-X hose roll	19	2.0	20	60	11	8900 0050 10
Red-X hose roll	19	2.0	20	100	18	8900 0050 11
Red-X hose roll	19	2.0	20	200	36	8900 0050 12
Red-X hose roll	25	2.5	20	60	15	8900 0050 20
Red-X hose roll	25	2.5	20	100	25	8900 0050 21
Red-X hose roll	25	2.5	20	200	50	8900 0050 22

#### Imperial

Description	Inner diameter (in.)	Thickness (in.)	Maximum working pressure (psi)	Length of roll (ft)	Weight (lb)	Part number
Red-X hose roll	$\frac{3}{4}$	$\frac{5}{64}$	290	195	24.3	8900 0050 10
Red-X hose roll	$\frac{3}{4}$	$\frac{5}{64}$	290	325	39.7	8900 0050 11
Red-X hose roll	$\frac{3}{4}$	$\frac{5}{64}$	290	650	79.4	8900 0050 12
Red-X hose roll	1	$\frac{3}{32}$	290	195	33.1	8900 0050 20
Red-X hose roll	1	$\frac{3}{32}$	290	325	55.1	8900 0050 21
Red-X hose roll	1	$\frac{3}{32}$	290	650	110.2	8900 0050 22

## Pre-mounted universal hoses with claw couplings

### Metric

Description	Inner diameter (mm)	Thickness (mm)	Maximum working pressure (bar)	Length of roll (m)	Weight (kg)	Part number
Red-X universal hose	19	2.0	20	20	4.5	8900 0050 09
Red-X universal hose	25	2.5	20	20	6.0	8900 0050 23

### Imperial

Description	Inner diameter (in.)	Thickness (in.)	Maximum working pressure (psi)	Length of roll (ft)	Weight (lb)	Part number
Red-X universal hose	¾	⅝	290	50	8.8	8900 0050 08
Red-X universal hose	1	⅜	290	50	11.0	8900 0050 24

## Water separator

### Metric

Description	Hose connection (mm)	Air flow (l/s)	Weight (kg)	Part number
Water separator (¾" BSP)	20	61	0.8	8900 0050 00

### Imperial

Description	Hose connection (in.)	Air flow (foot <sup>3</sup> /min)	Weight (lb)	Part number
Water separator (¾" NPT)	¾	130	1.8	8900 0050 01

## Lubricator

### Metric

Description	Hose connection (mm)	Air flow (l/s)	Oil volume (l)	Weight (kg)	Part number
Lubricator 1300 (1" BSP)	25	15-140	1.3	3	8900 0050 02

### Imperial

Description	Hose connection (in.)	Air flow (foot <sup>3</sup> /min)	Oil volume (US gallon)	Weight (lb)	Part number
Lubricator 43 (1" NPT)	1	32-300	0.34	6.6	8900 0050 07