



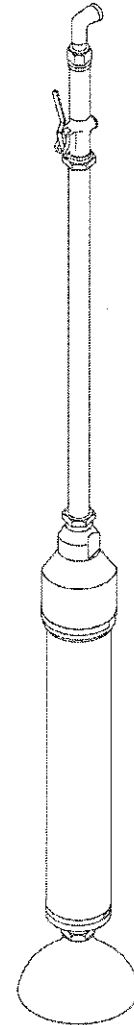
**Chicago
Pneumatic**

Crowder Supply Co, Inc. 8495 Roslyn St Commerce City, CO 80022 (303) 433-5144 FAX: (303) 433-3928 Toll Free: (888) 883-5144 www.crowdersupply.com

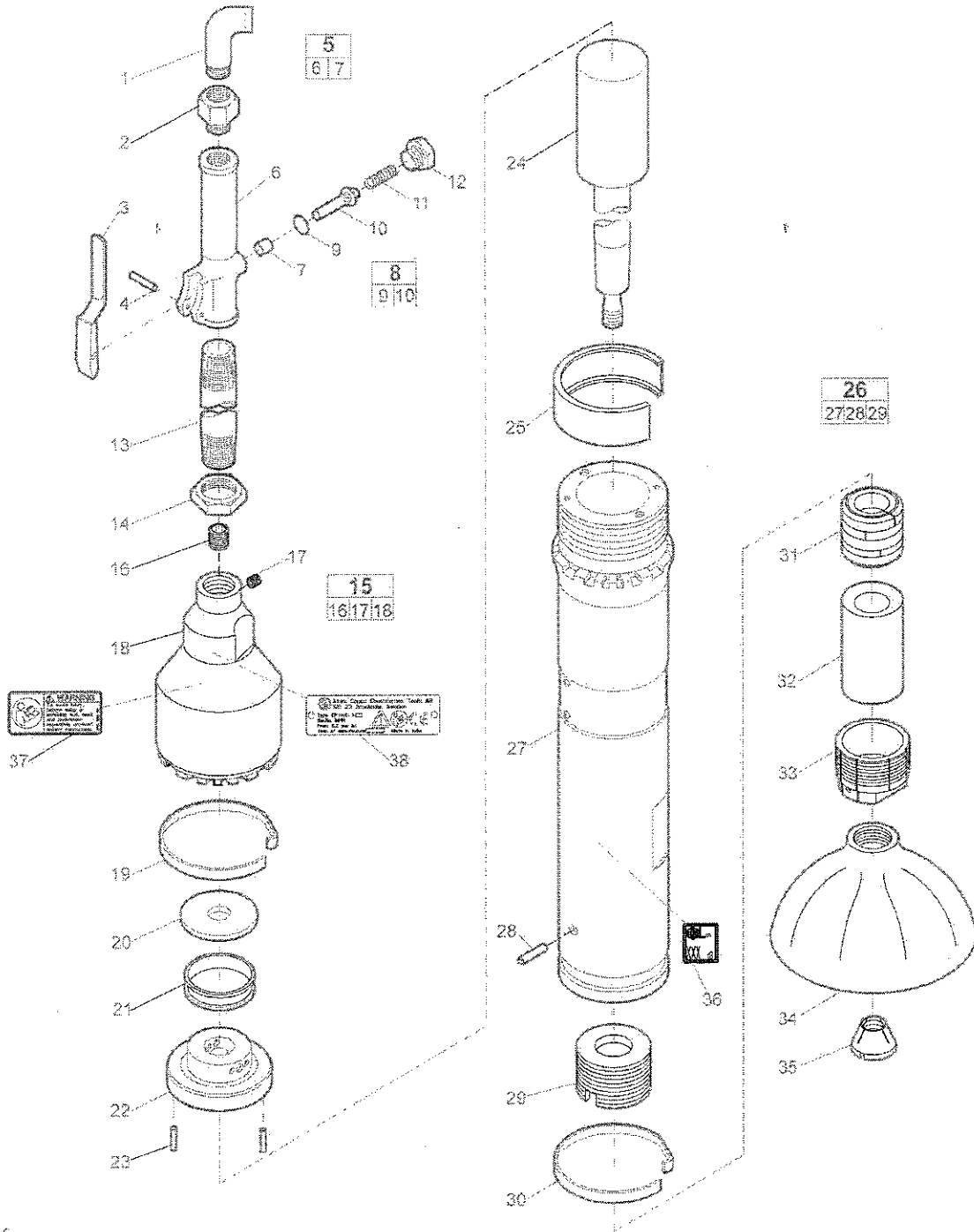
Spare parts list

Pneumatic tampers

CP 0004



Spare parts list



Crowder Supply Co. Inc. 8495 Roslyn St Commerce City, CO 80022 (303) 433-5144 FAX: (303) 433-3928 Toll Free: (888) 883-5144 www.crowdersupply.com

No.	Description	Remark	Quantity	Part number
1	Elbow - Street	½" - 90	1	R072457
2	Strainer - Air		1	P001995
3	Lever - Valve		1	P001903
4	Pin - Lever		1	P001921
5(6-7)	Body - Throttle valve, complete		1	P007350
6	Body - Throttle valve		1	-
7	Bushing - Throttle valve		1	P001814
8(9-10)	Valve - Throttle, complete		1	P087671
9	O-ring		1	CA088867
10	Valve - Throttle		1	-
11	Spring - Throttle valve		1	P001858
12	Cap - Valve		1	P001964
13	Pipe - Extension		1	P071147
14	Locknut - Pipe		2	F003087
15(16-18)	Cylinder head, complete		1	P079695
16	Plug - Oil regulating		1	P084132
17	Plug - Filler		1	C068799
18	Cylinder head		1	-
19	Clip - Cylinder head lock		1	P084464
20	Lid - Valve		1	P009667
21	Valve		1	P009665
22	Block - Valve		1	P009666
23	Pin - Block dowel		2	A043627
24	Piston	Threaded end	1	P089043
25	Clip - Exhaust		1	P009674
26(27-29)	Cylinder bushing, complete		1	P084463
27	Cylinder		1	-
28	Pin - Cylinder bushing		1	S001157
29	Bushing - Cylinder		1	P074473
30	Clip - Lock nut		1	P084466
31	Packing - Piston		1	P089320
32	Sleeve - Piston gland		1	P009678
33	Nut - Piston gland		1	P084465
34	Butt	Aluminum Ø158.80 mm Ø6¼ in	1	P089050
35	Lock nut - Butt		1	P089045
36	Sound power label		1	-
37	Safety label		1	3310 1602 00
38	Data plate		1	-

Accessories

Butts

Metric

Description	Remark	Diameter (mm)	Part number
Butt	Aluminum	63.50	P138879
Butt	Cast iron	146	3303 0050 81
Butt, concave	Cast iron	-	3303 0050 83

Imperial

Description	Remark	Diameter (in)	Part number
Butt	Aluminum	2½	P138879
Butt	Cast iron	5¾	3303 0050 81
Butt, concave	Cast iron	-	3303 0050 83

Optional equipment

Description	Remark	Quantity	Part number
Muffler		1	P125807

Hose rolls

Metric

Description	Inner diameter (mm)	Thickness (mm)	Maximum working pressure (bar)	Length of roll (m)	Weight (kg)	Part number
Red-X hose roll	19	2.0	20	60	11	8900 0050 10
Red-X hose roll	19	2.0	20	100	18	8900 0050 11
Red-X hose roll	19	2.0	20	200	36	8900 0050 12
Red-X hose roll	25	2.5	20	60	15	8900 0050 20
Red-X hose roll	25	2.5	20	100	25	8900 0050 21
Red-X hose roll	25	2.5	20	200	50	8900 0050 22

Imperial

Description	Inner diameter (in.)	Thickness (in.)	Maximum working pressure (psi)	Length of roll (ft)	Weight (lb)	Part number
Red-X hose roll	3/4	5/64	290	195	24.3	8900 0050 10
Red-X hose roll	3/4	5/64	290	325	39.7	8900 0050 11
Red-X hose roll	3/4	5/64	290	650	79.4	8900 0050 12
Red-X hose roll	1	3/32	290	195	33.1	8900 0050 20
Red-X hose roll	1	3/32	290	325	55.1	8900 0050 21
Red-X hose roll	1	3/32	290	650	110.2	8900 0050 22

Pre-mounted universal hoses with claw couplings**Metric**

Description	Inner diameter (mm)	Thickness (mm)	Maximum working pressure (bar)	Length of roll (m)	Weight (kg)	Part number
Red-X universal hose	19	2.0	20	20	4.5	8900 0050 09
Red-X universal hose	25	2.5	20	20	6.0	8900 0050 23

Imperial

Description	Inner diameter (in.)	Thickness (in.)	Maximum working pressure (psi)	Length of roll (ft)	Weight (lb)	Part number
Red-X universal hose	3/4	5/64	290	50	8.8	8900 0050 08
Red-X universal hose	1	3/32	290	50	11.0	8900 0050 24

Water separator**Metric**

Description	Hose connection (mm)	Air flow (l/s)	Weight (kg)	Part number
Water separator (3/4" BSP)	20	61	0.8	8900 0050 00

Imperial

Description	Hose connection (in.)	Air flow (foot ³ /min)	Weight (lb)	Part number
Water separator (3/4" NPT)	3/4	130	1.8	8900 0050 01