

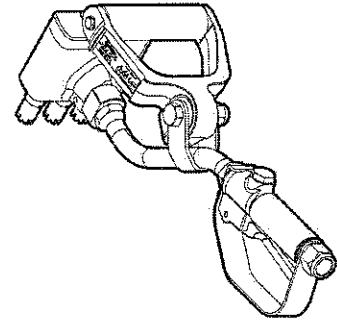


**Chicago
Pneumatic**

Crowder Supply Co., Inc. 8495 Roslyn St Commerce City, CO 80022 (303) 433-5144 FAX: (303) 433-3928 Toll Free: (888) 883-5144 www.crowdersupply.com

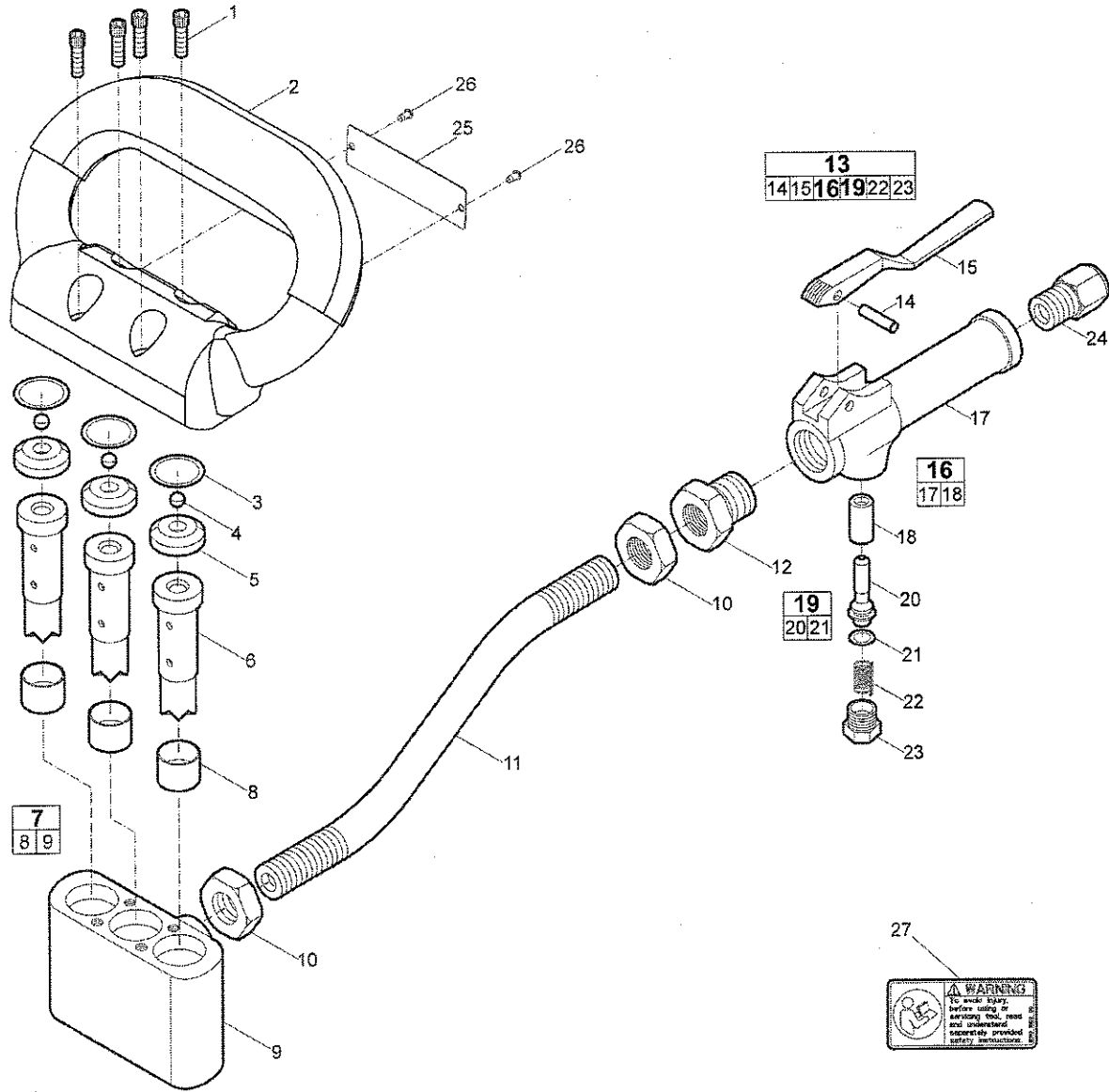
Spare parts list

Pneumatic scabblers
CP 0006, CP 0006 SVR



Spare parts list

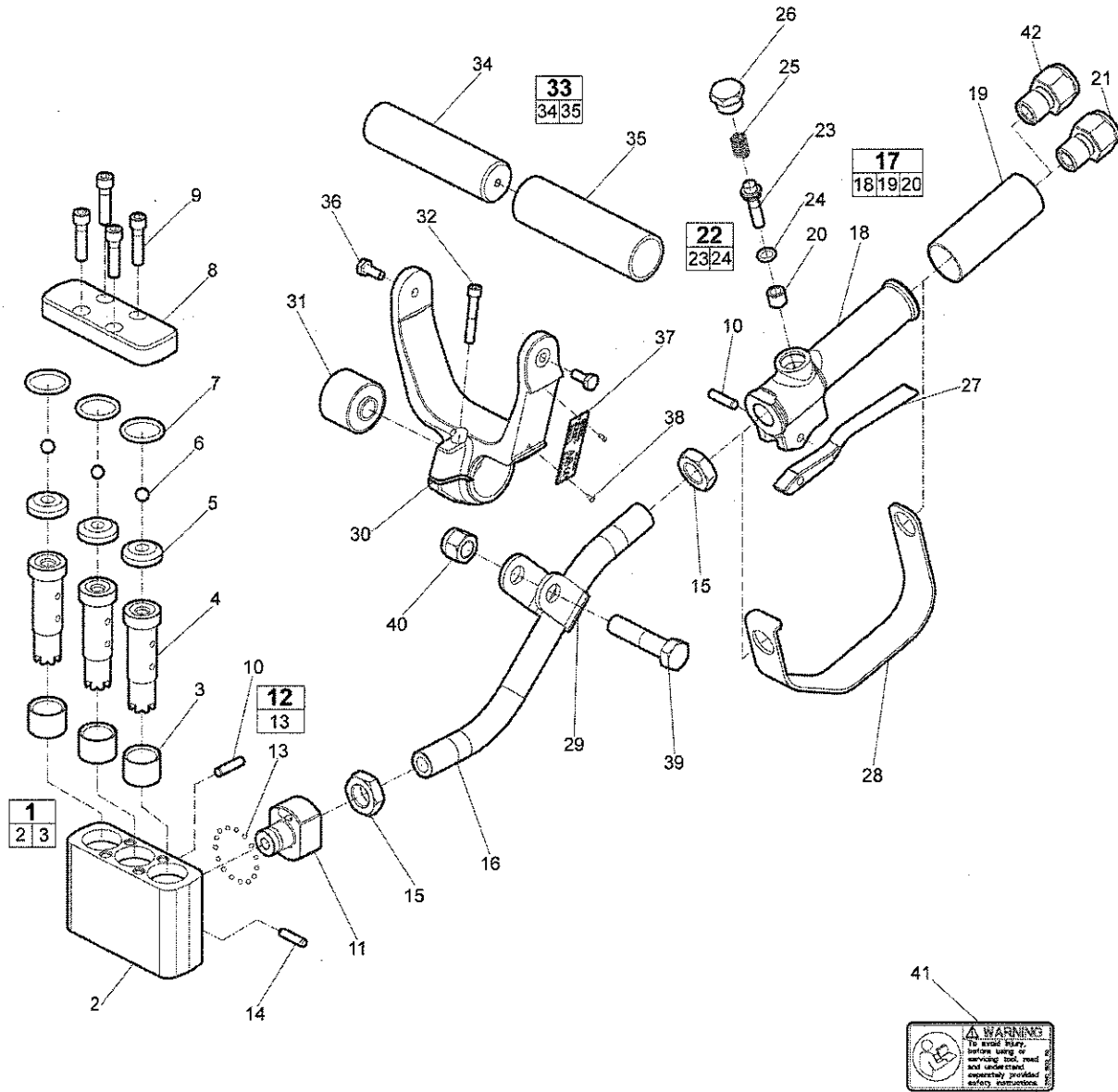
CP 0006



Crowder Supply Co., Inc. 8495 Roslyn St Commerce City, CO 80022 (303) 433-5144 FAX: (303) 433-3928 Toll Free: (888) 883-5144 www.crowdersupply.com

No.	Description	Remark	Quantity	Part number
1	Screw - Locking		4	F826516
2	Handle - Cylinder		1	F826708
3	O-ring		3	A082759
4	Ball - Cushion		3	F061776
5	Cap - Cylinder		3	F826706
6	Piston		3	F064604
7(8-9)	Cylinder, complete		1	F826707
8	Bushing - Cylinder		3	F826808
9	Cylinder		1	-
10	Locknut		2	F064909
11	Handle - Bent		1	F064668
12	Bushing - Reducer		1	F826506
13(14-15,16,19,22-23)	Throttle body, complete		1	P007395
14	Pin - Lever		1	P001921
15	Lever - Throttle		1	P001903
16(17-18)	Body - Throttle, complete		1	P007350
17	Body - Throttle		1	-
18	Bushing - Stem		1	P001814
19(20-21)	Throttle valve, complete		1	P087671
20	Throttle valve		1	-
21	O-ring		1	CA088867
22	Spring - Throttle		1	P001858
23	Cap - Valve		1	P001964
24	Strainer - Air		1	P001995
25	Data plate		1	-
26	Drive screw		2	0244 4144 00
27	Safety label		1	3310 1602 00

CP 0006 SVR



Crowder Supply Co., Inc. 8495 Roslyn St Commerce City, CO 80022 (303) 433-5144 FAX: (303) 433-3928 Toll Free: (888) 883-5144 www.crowdersupply.com

No.	Description	Remark	Quantity	Part number
1(2-3)	Cylinder, complete		1	3303 0052 41
2	Cylinder		1	-
3	Cylinder bushing		3	F826808
4	Piston		3	F064604
5	Cylinder cap		3	F826706
6	Ball valve		3	F061776
7	O-ring		3	A082759
8	Cylinder cover		1	3303 0051 92
9	Cap screw	Socket head	4	F826516
10	Pin - lever		2	P001921
11	Adaptor bolt		1	3303 0051 93
12(13)	Bearing ball, complete	15 balls included	1	3303 0052 42
13	Bearing ball	1/8 in.	15	-
14	Pin		1	3121 0595 00
15	Locknut		2	F064909
16	Handle - Bent pipe		1	3303 0051 94
17(18-20)	Throttle body, complete		1	3303 0052 45
18	Throttle body		1	-
19	Throttle handle grip		1	3303 0052 01
20	Throttle valve bushing		1	P001814
21	Air inlet nipple	1/2 in. BSP	1	3303 0052 04
22(23-24)	Body valve, complete		1	3303 0052 44
23	Body valve		1	-
24	O-ring		1	P088844
25	Spring		1	P001858
26	Cap valve screw		1	P001964
27	Throttle valve lever		1	3303 0052 02
28	Handle bow		1	3303 0052 03
29	Bracket		1	3303 0051 95
30	Front handle		1	3303 0052 38
31	Bushing		1	3303 0051 96
32	Screw	1/4 in.	1	0211 5209 00
33(34-35)	Handle bar, complete		1	3303 0052 43
34	Handle bar		1	-
35	Front handle grip		1	3303 0052 00
36	Hexagon screw	1/4 in.	2	0144 3205 00
37	Data plate		1	-
38	Drive screw		2	0244 4144 00
39	Hexagon screw		1	0147 1444 03
40	Locknut		1	0291 1128 41
41	Safety label		1	3310 1602 00
42	Air inlet nipple	optional, 1/2 in. NPTF	1	3303 0052 20

Accessories

Hose rolls

Metric

Description	Inner diameter (mm)	Thickness (mm)	Maximum working pressure (bar)	Length of roll (m)	Weight (kg)	Part number
Red-X hose roll	19	2.0	20	60	11	8900 0050 10
Red-X hose roll	19	2.0	20	100	18	8900 0050 11
Red-X hose roll	19	2.0	20	200	36	8900 0050 12
Red-X hose roll	25	2.5	20	60	15	8900 0050 20
Red-X hose roll	25	2.5	20	100	25	8900 0050 21
Red-X hose roll	25	2.5	20	200	50	8900 0050 22

Imperial

Description	Inner diameter (in.)	Thickness (in.)	Maximum working pressure (psi)	Length of roll (ft)	Weight (lb)	Part number
Red-X hose roll	¾	¼	290	195	24.3	8900 0050 10
Red-X hose roll	¾	¼	290	325	39.7	8900 0050 11
Red-X hose roll	¾	¼	290	650	79.4	8900 0050 12
Red-X hose roll	1	⅜	290	195	33.1	8900 0050 20
Red-X hose roll	1	⅜	290	325	55.1	8900 0050 21
Red-X hose roll	1	⅜	290	650	110.2	8900 0050 22

Pre-mounted universal hoses with claw couplings

Metric

Description	Inner diameter (mm)	Thickness (mm)	Maximum working pressure (bar)	Length of roll (m)	Weight (kg)	Part number
Red-X universal hose	19	2.0	20	20	4.5	8900 0050 09
Red-X universal hose	25	2.5	20	20	6.0	8900 0050 23

Imperial

Description	Inner diameter (in.)	Thickness (in.)	Maximum working pressure (psi)	Length of roll (ft)	Weight (lb)	Part number
Red-X universal hose	¾	¼	290	50	8.8	8900 0050 08
Red-X universal hose	1	⅜	290	50	11.0	8900 0050 24

Water separator

Metric

Description	Hose connection (mm)	Air flow (l/s)	Weight (kg)	Part number
Water separator (3/4 in. BSP)	20	61	0.8	8900 0050 00

Imperial

Description	Hose connection (in.)	Air flow (foot ³ /min)	Weight (lb)	Part number
Water separator (3/4 in. NPT)	3/4	130	1.8	8900 0050 01