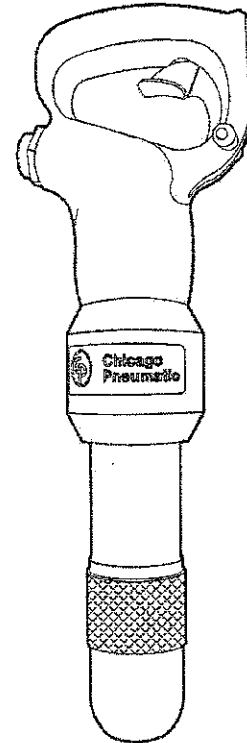




Crowder Supply Co, Inc. 8495 Roslyn St Commerce City, CO 80022 (303) 433-5144 FAX: (303) 433-3928 Toll Free: (888) 883-5144 www.crowdersupply.com

Spare parts list

Handheld pneumatic chipping hammers CP 0012 H19, CP 0012 2R, CP 0012 2H



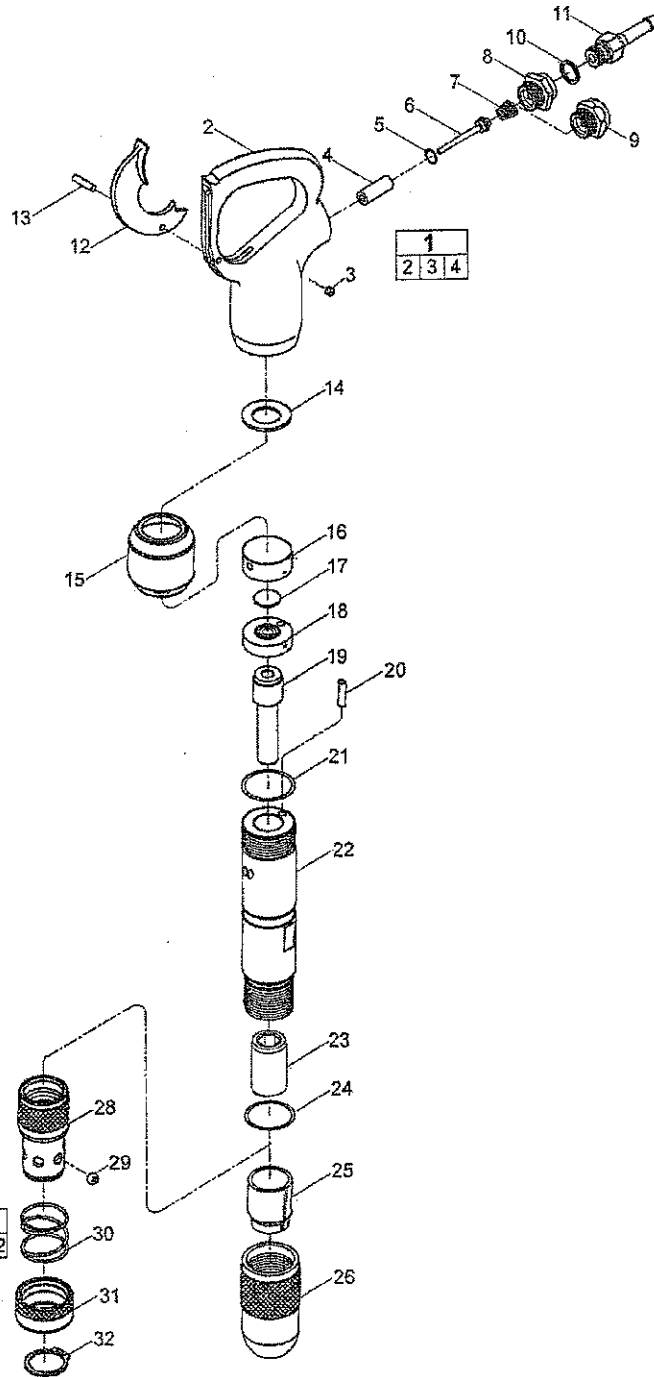
www.cp.com

Chicago Pneumatic Construction Tools



Spare parts list

CP 0012 H19



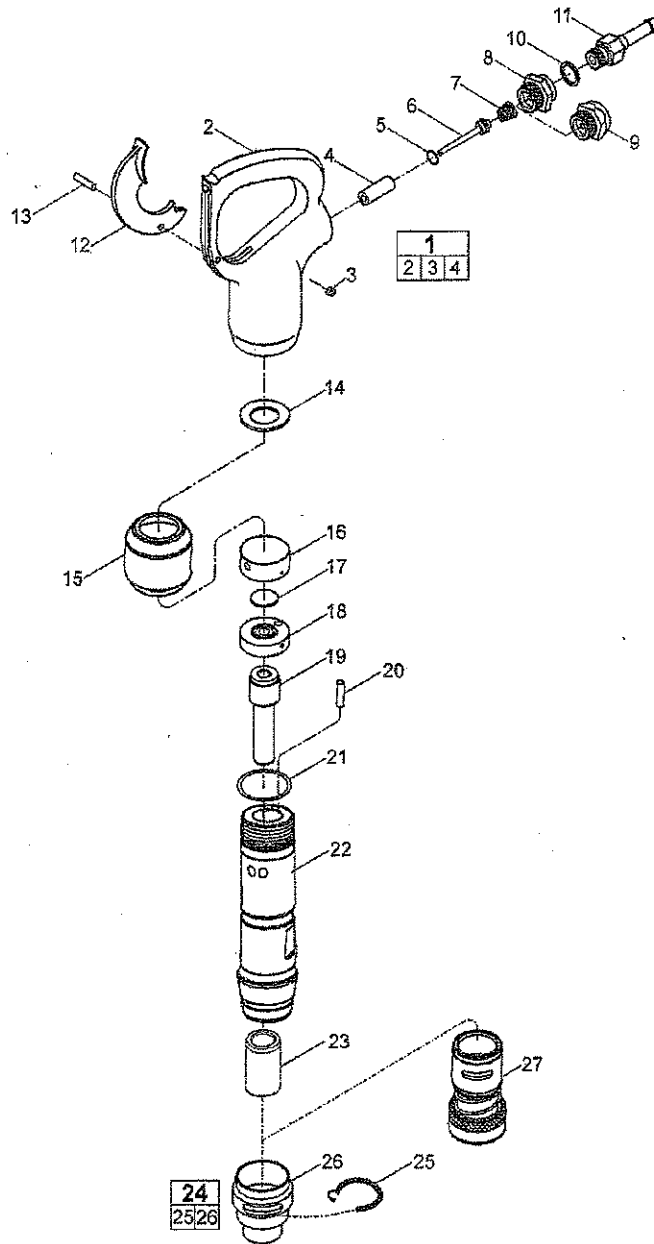
No.	Description	Remark	Quantity	Part number
1(2-4)	Handle, complete		1	Z8360858
2	Handle		1	
3	Plug	1/4 x 27 NPTF	1	C102507
4	Bushing - Throttle valve		1	
5	O-ring - Throttle valve		1	Q0132858
6	Throttle valve		1	D3182858
7	Spring - Throttle valve		1	R085596
8	Air inlet bushing	BSP	1	F064697
9	Air inlet bushing	NPTF (optional)	1	R085893
10	Gasket - Hose tail		1	F064696
11	Hose tail	1/4" BSP	1	F064695
12	Lever - Throttle		1	F027853
13	Pin - Throttle lever		1	A043627
14	Washer	1.0 mm	2	Q4204858
15	Muffler		1	H3740858
16	Valve housing		1	Z3803858
17	Main valve		1	D7368858
18	Lower valve lid		1	D5090858
19	Piston		1	D1579858
20	Pin - Dowel	Pipe	1	D7288858
21	O-ring	Cylinder	1	0663 2135 00
22	Cylinder		1	
23	Guide bush	Hexagon 19 x 50 mm	1	D8389858
24	Retainer lock ring	39.2 x 3 mm	1	H2228858
25	Buffer		1	H2303858
26	Retainer		1	C878859
27(28-32)	Retainer, complete	Ball type screw - on (optional)	1	Z8389857
28	Retainer		1	
29	Chuck retainer ball	6 retainer balls included	1	Z8754857
30	Spring		1	H3437857
31	Retainer sleeve		1	-
32	External circlip		1	H3275857



CP 0012 2R

CP 0012 H19 CP 0012 H20 CP 0012 H21

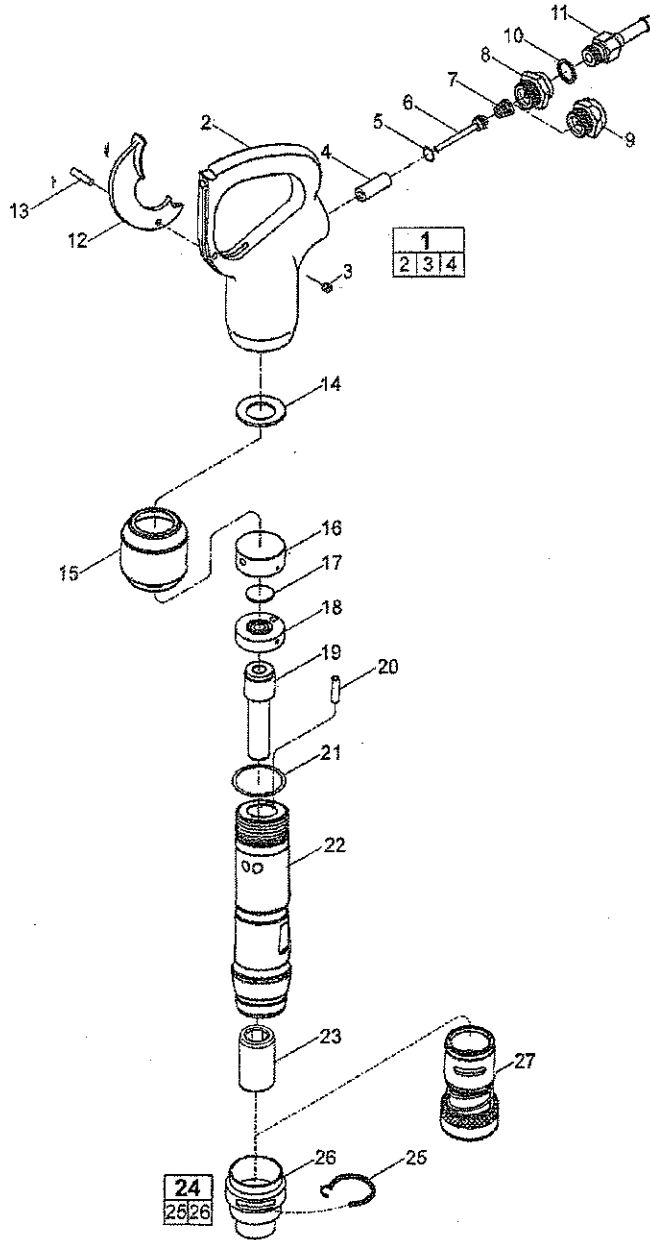
CP 0012 2R



No.	Description	Remark	Quantity	Part number
1(2-4)	Handle, complete		1	Z8360858
2	Handle		1	
3	Plug	1/4 x 27 NPTF	1	C102507
4	Bushing - Throttle valve		1	
5	O-ring - Throttle valve		1	Q0132858
6	Throttle valve		1	D3182858
7	Spring - Throttle valve		1	R085596
8	Air inlet bushing	BSP	1	F084697
9	Air inlet bushing	NPTF (optional)	1	R085893
10	Gasket - Hose tail		1	F084696
11	Hose tail	1/2" BSP	1	F084695
12	Lever - Throttle		1	F027853
13	Pin - Throttle lever		1	A043627
14	Washer	1.0 mm	2	Q4204858
15	Muffler		1	H3740858
16	Valve housing		1	Z3803858
17	Main valve		1	D7368858
18	Lower valve lid		1	D5090858
19	Piston		1	D1579858
20	Pin - Dowel	Pipe	1	D7288858
21	O-ring	Cylinder	1	0663 21 35 00
22	Cylinder		1	
23	Bushing - Round		1	P001550
24(25-28)	Sleeve - Retainer, complete		1	P107243
25	Spring - Lock coil		1	P070994
26	Sleeve - Retainer		1	
27	Ball type retainer	US standard (optional)	1	P137735



CP 0012 2H



Crowder Supply Co, Inc. 8495 Roslyn St Commerce City, CO 80022 (303) 433-5144 FAX: (303) 433-3928 Toll Free: (888) 883-5144 www.crowdersupply.com

No.	Description	Remark	Quantity	Part number
1(2-4)	Handle, complete		1	Z8360858
2	Handle		1	
3	Plug	1/4 x 27 NPTF	1	C102507
4	Bushing - Throttle valve		1	
5	O-ring - Throttle valve		1	Q0132858
6	Throttle valve		1	D3182858
7	Spring - Throttle valve		1	R085596
8	Air inlet bushing	BSP	1	F064697
9	Air inlet bushing	NPTF (optional)	1	R085893
10	Gasket - Hose tail		1	F064696
11	Hose tail	1/4" BSP	1	F064695
12	Lever - Throttle		1	F027853
13	Pin - Throttle lever		1	A043627
14	Washer	1.0 mm	2	Q4204858
15	Muffler		1	H3740858
16	Valve housing		1	Z3803858
17	Main valve		1	D7368858
18	Lower valve lid		1	D5090858
19	Piston		1	D1579858
20	Pin - Dowel	Pipe	1	D7288858
21	O-ring	Cylinder	1	0663 2135 00
22	Cylinder		1	
23	Bushing - Hexagon		1	P001551
24(25-26)	Sleeve - Retainer, complete		1	P107243
25	Spring - Lock coil		1	P070994
26	Sleeve - Retainer		1	
27	Ball type retainer	US standard (optional)	1	P137735