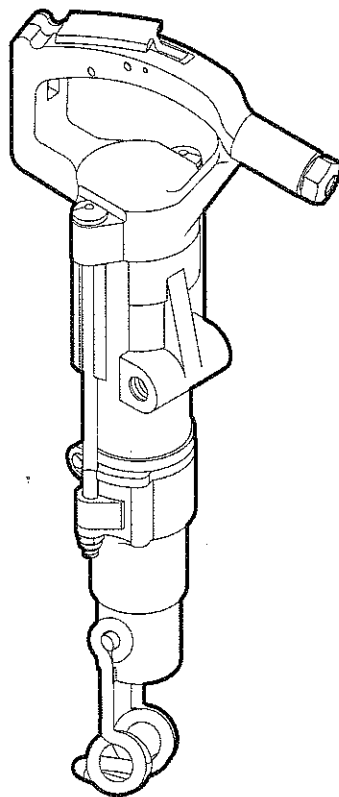


Spare parts list

CP0014RR CP0014RRBS Rotary drills



www.cp.com





Introduction

Welcome! Protect your investment in the world's finest air tools. Use genuine CP replacement parts.

The purchase of replacement parts for your CP tools deserves the same good judgment that resulted in the purchase of the tools themselves. Each genuine CP part is made from carefully selected and inspected material, subjected to sophisticated machinery and finishing processes and heat-treated to produce just the right combination of hardness, ductility and impact resistance for its intended use. Each part is identical to, and made concurrently with, parts used in production tools.

The use of parts other than genuine CP replacement parts can lead to substandard performance, early failure, possible damage of other parts and, in some instances, unsafe conditions.

Use only authorized parts. Any damage or malfunction caused by unauthorized parts will not be covered by Warranty or Product Liability.

Any machine modification not approved by Chicago Pneumatics may result in serious injuries to yourself or others.

To reduce the risk of injury, read and understand the relevant safety and operating instructions before operating the machine.

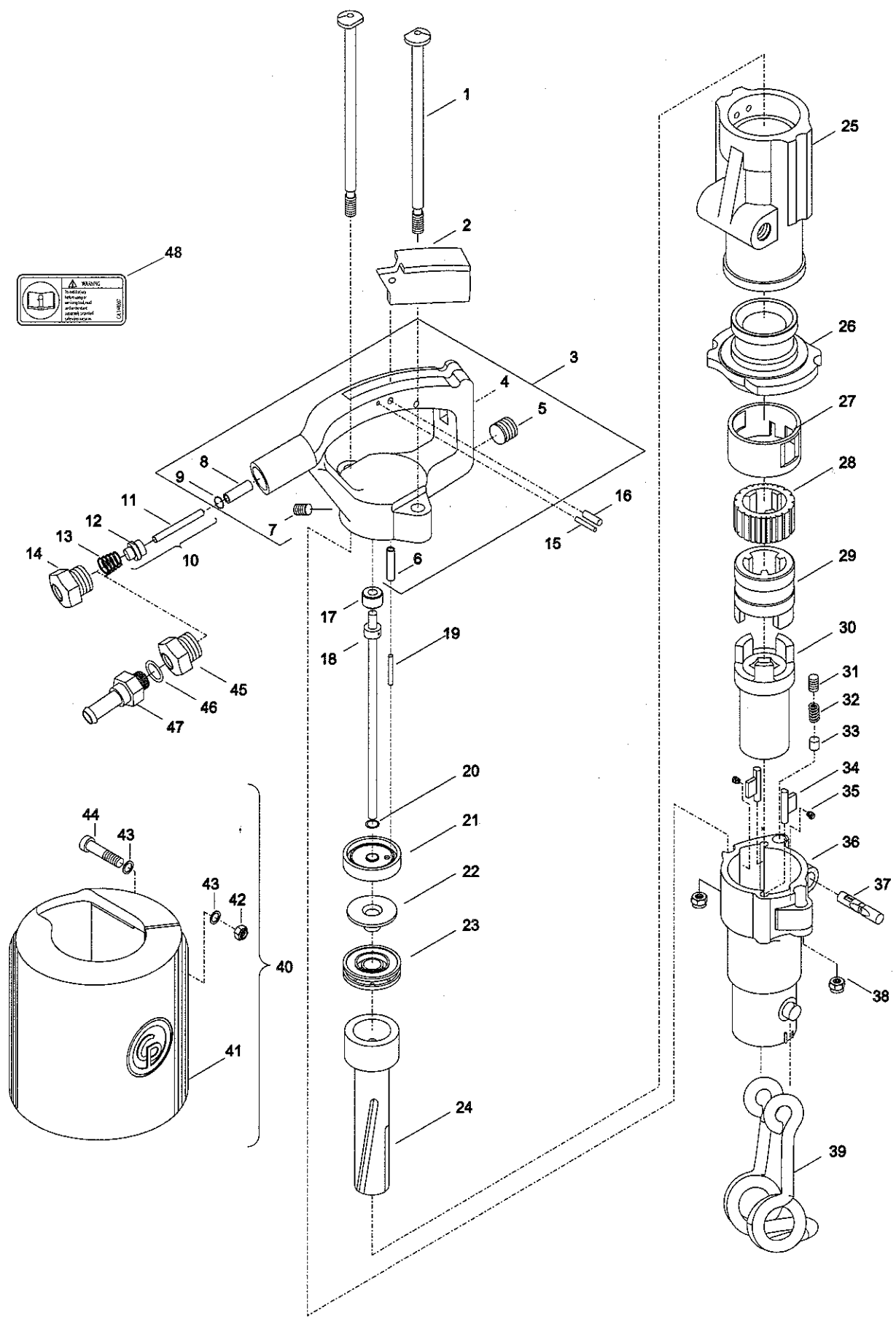
Before undertaking any maintenance or changing the working tool on pneumatic machines, always switch off the air supply and bleed the machine by depressing the start and stop device. Then disconnect the air hose from the machine.

CP 0014 RR & RRBS tools are both a drill and a chipping hammer.

The CP 0014 RR & RRBS rotary drills are designed for a wide variety of constructions and maintenance applications such as driving or setting masonry anchors and drilling holes in concrete, bricks or rock.

As a hammer, these tools can be used for chipping, scarifying, scaling and cleaning welds.

The CP 0014 RR & RRBS tools can be used both horizontally and vertically. No other use is permitted.





No.	Ordering No.	Quantity	Description
1	F061564	2	Bolt - thru
2	F064534	1	Lever - throttle
3	R119157	1	Handle complete (includes item No. 4, 5, 6, 7, 8 & 9.)
4	—*)	1	Handle
5	C077941	1	Plug - pipe (3/8")
6	R085580	1	Tube - oil regulating
7	C068799	1	Plug - pipe (1/4" NPTF)
8	R085599	1	Bushing - valve stem
9	R086098	1	O-ring
10	R086329	1	Valve - throttle complete (includes item No. 11 & 12)
11	—*)	1	Valve stem
12	—*)	1	Throttle valve head
13	R085596	1	Spring - throttle valve
14	R085595	1	Bushing - air inlet (3/8" NPT) (for CP 0014 RR)
15	H082555	1	Pin - throttle lever stop
16	A043627	1	Pin - throttle lever
17	R085934	1	Rubber tube
18	R079223	1	Tube - air (dry blower)
19	R085582	1	Plunger - oil regulating
20	C069083	1	O-ring
21	R085935	1	Seat
22	R085591	1	Valve
23	R085592	1	Seat - front valve
24	R000120	1	Piston
25	R085575	1	Cylinder
26	R041684	1	Bushing - cylinder (with rotation release)
27	R051350	1	Sleeve - shifter
28	R093154	1	Ring - ratchet
29	R085601	1	Sleeve - chuck
30	R085600	1	Chuck (7/8" x 3 1/4" shank)
31	C068064	1	Plug - pipe (1/8")
32	R051353	1	Spring - plunger
33	R051349	1	Plunger - detent
34	R085588	2	Pawl
35	R086654	2	Spring - pawl
36	R041685	1	Fronthead
37	R051348	1	Plunger - shifter
38	P070438	2	Nut - thru bolt
39	R050584	1	Retainer - wire
40	F827044	1	Muffler (Includes item No. 41, 42, 43 & 44) (for CP 0014 RRBS)
41	—*)	1	Muffler
42	C037118	6	Lock nut
43	F826979	12	Washer
44	C051781	6	Cap screw
45	F826645	1	Bushing - air inlet (3/8" BSP) (for CP 0014 RRBS)
46	F827380	1	Hose tail (for CP 0014 RRBS)
47	F064696	1	Gasket - hose tail (for CP 0014 RRBS)
48	CA144007	1	Safety label

—*) Not delivered separately