

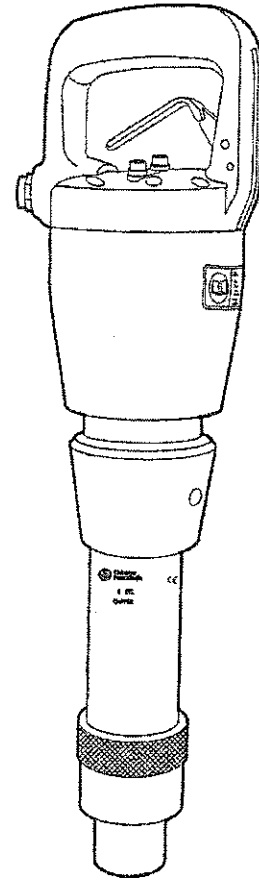


**Chicago
Pneumatic**

Spare parts list

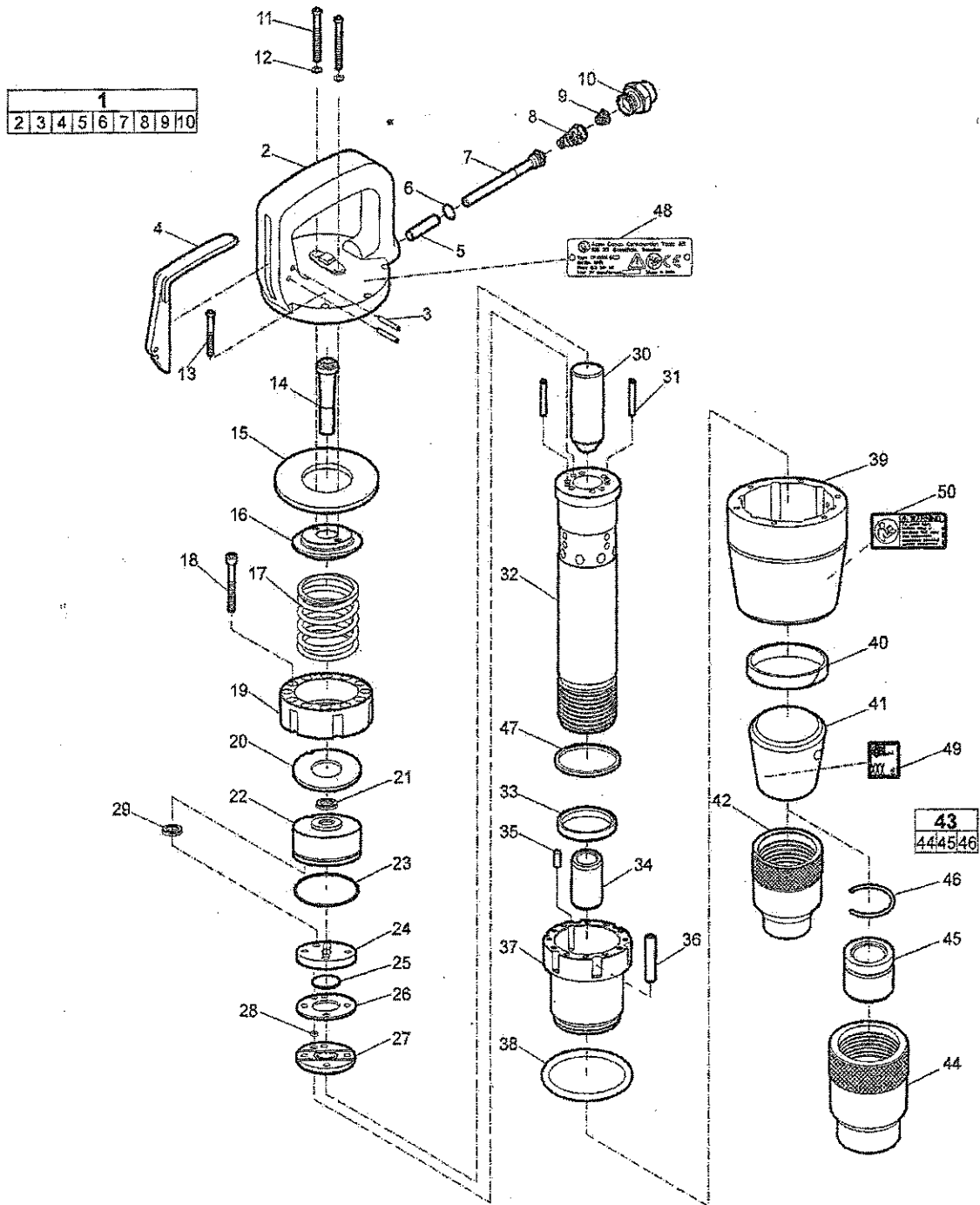
Handheld pneumatic chipping hammers

CP 0017 SVR



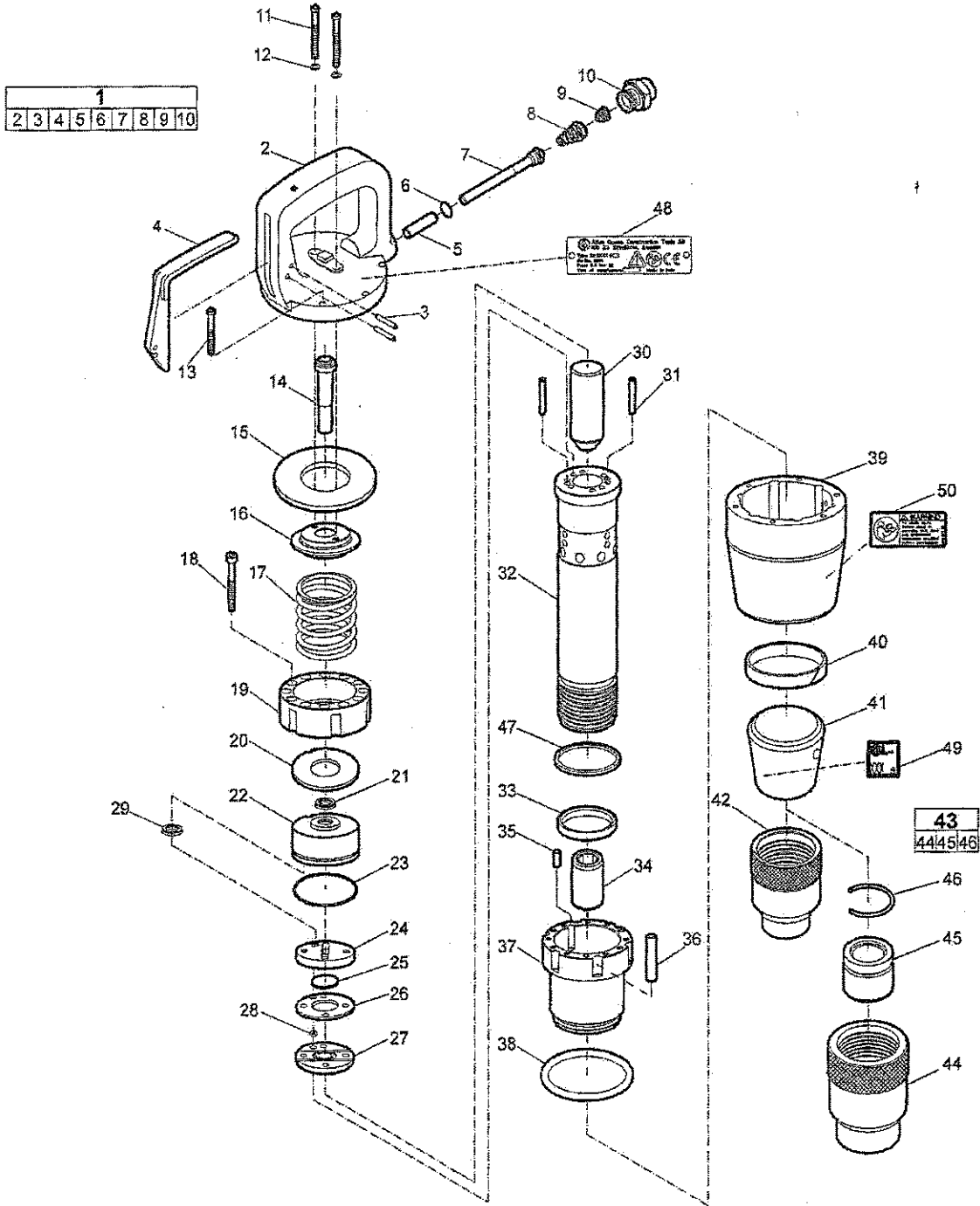
Spare parts list

CP 0017 SVR 3R



No.	Description	Remark	Quantity	Part number
1(2-10)	Handle, complete		1	Z8726840
2	Handle		1	
3	Pin - Throttle lever		2	R133757
4	Lever - Throttle		1	F815167
5	Bushing - Throttle valve		1	P144656
6	O-ring - Throttle valve		1	P083071
7	Valve - Throttle		1	P144202
8	Spring - Throttle valve		1	C077054
9	Strainer - Air		1	C036909
10	Bushing - Inlet		1	C092292
11	Screw	Socket head UNF ¼-28 x 1-¾	2	C051781
12	Washer - Flat		2	F826979
13	Screw	Socket head UNC ¼-20 x 1-½	6	C064807
14	Tube - Air		1	P144652
15	Buffer - Top		1	H2320840
16	Buffer plate		1	D5091840
17	Spring		1	H3438840
18	Screw	Socket head M6 x 40-12.9	12	Q2885840
19	Isolator plate		1	C4306840
20	Buffer - Bottom		1	H2326840
21	Seal - Air tube		1	H0295840
22	Housing - Shutoff		1	Z4605840
23	O-ring		1	C116352
24	Lid - Upper valve		1	P144140
25	Valve - Cycling		1	P142921
26	Case - Valve		1	P144141
27	Lid - Lower valve		1	P144142
28	O-ring		1	C087316
29	Seat - Shutoff		1	P144659
30	Piston	3 in. (76.2 mm)	1	P118662
31	Pin - Dowel		2	P144147
32	Cylinder	3 in. (76.2 mm)	1	
33	Ring - Retainer		1	F035269
34	Bushing	Round	1	F001550
35	Pin - Dowel		1	P145400
36	Roller - Guide kit	Consists of 6 roller guides	1	Z8759840
37	Adaptor - Cylinder		1	C9205840
38	O-ring		1	P144662
39	Housing - Isolator		1	P144650
40	Ring - Bearing		1	P144663
41	Deflector - Exhaust		1	P144654
42	Retainer	Oval collar/Round shank	1	P144441
43(44-46)	Retainer, optional	Oval collar/Hexagon shank	1	P145545
44	Retainer		1	-
45	Cylinder - Insert		1	P145458
46	Ring - Retaining		1	P145459
47	Ring - Buffer		1	H2328840
48	Data plate		1	
49	Noise level label		1	-
50	Safety label		1	3310.1602.00

CP 0017 SVR 3H

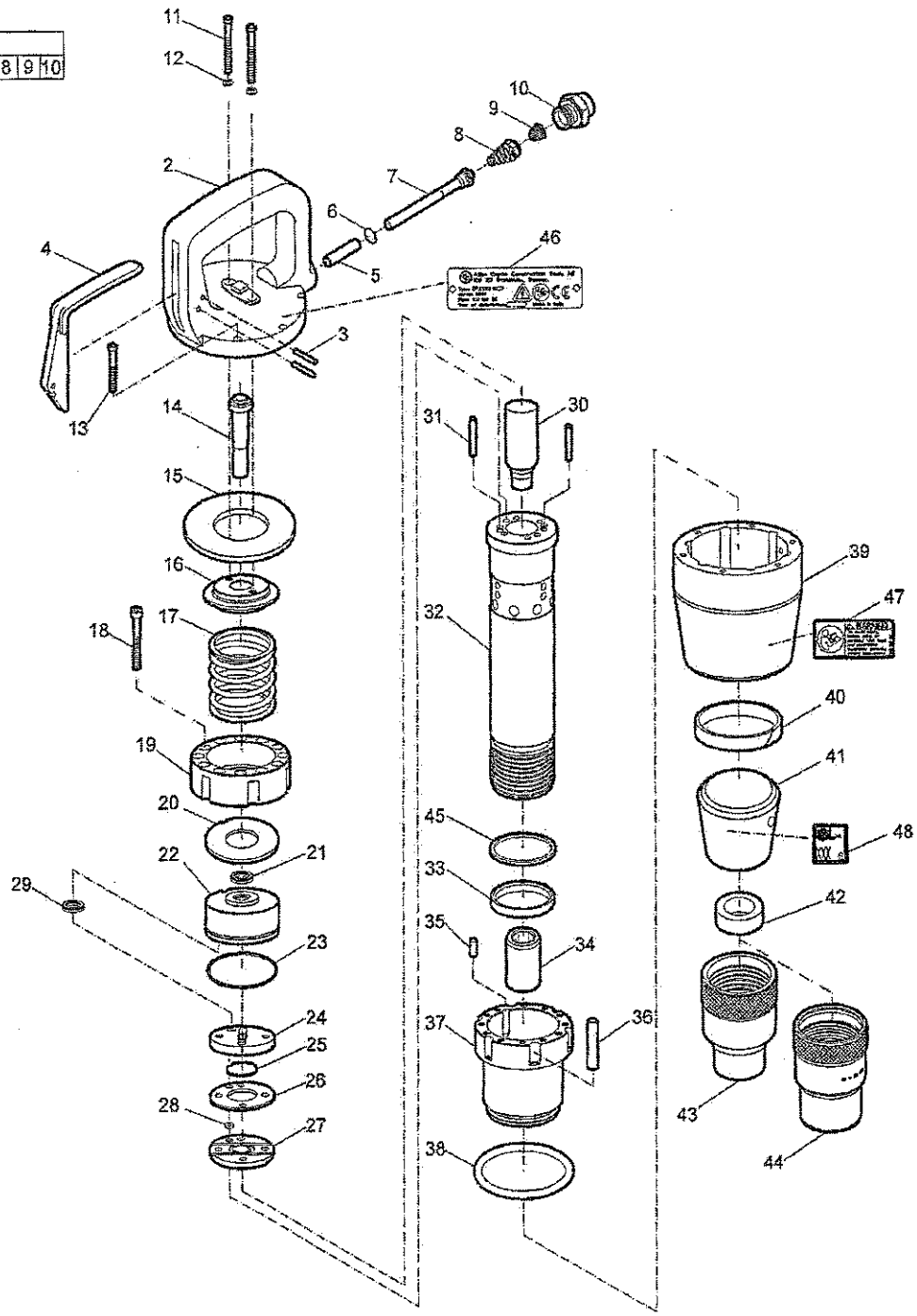


Crowder Supply Co. Inc. 8495 Roslyn St Commerce City, CO 80022 (303) 433-5144 FAX: (303) 433-3928 Toll Free: (888) 883-5144 www.crowdersupply.com

No.	Description	Remark	Quantity	Part number
1(2-10)	Handle, complete		1	Z8726840
2	Handle		1	-
3	Pin - Throttle lever		2	R133757
4	Lever - Throttle		1	F815167
5	Bushing - Throttle valve		1	P144656
6	O-ring - Throttle valve		1	P083071
7	Valve - Throttle		1	P144202
8	Spring - Throttle valve		1	C077054
9	Strainer - Air		1	C036909
10	Bushing - Inlet		1	C092292
11	Screw	Socket head UNF 1/4-28 x 1-3/4	2	C051781
12	Washer - Flat		2	F826979
13	Screw	Socket head UNC 1/4-20 x 1-1/2	6	C064807
14	Tube - Air		1	P144652
15	Buffer - Top		1	H2320840
16	Buffer plate		1	D5091840
17	Spring		1	H3438840
18	Screw	Socket head M6 x 40-12.9	12	Q2885840
19	Isolator plate		1	C4306840
20	Buffer - Bottom		1	H2326840
21	Seal - Air tube		1	H0295840
22	Housing - Shutoff		1	Z4605840
23	O-ring		1	C116352
24	Lid - Upper valve		1	P144140
25	Valve - Cycling		1	P142921
26	Case - Valve		1	P144141
27	Lid - Lower valve		1	P144142
28	O-ring		1	C087316
29	Seat - Shutoff		1	P144659
30	Piston	3 in. (76.2 mm)	1	P118662
31	Pin - Dowel		2	P144147
32	Cylinder	3 in. (76.2 mm)	1	-
33	Ring - Retainer		1	F035269
34	Bushing	Round	1	P001551
35	Pin - Dowel		1	P145400
36	Roller - Guide kit	Consists of 6 roller guides	1	Z8759840
37	Adaptor - Cylinder		1	C9205840
38	O-ring		1	P144662
39	Housing - Isolator		1	P144650
40	Ring - Bearing		1	P144663
41	Deflector - Exhaust		1	P144654
42	Retainer	Oval collar/Round shank	1	P144441
43(44-46)	Retainer, optional	Oval collar/Hexagon shank	1	P145545
44	Retainer		1	-
45	Cylinder - Insert		1	P145458
46	Ring - Retaining		1	P145459
47	Ring - Buffer		1	H2328840
48	Data plate		1	-
49	Noise level label		1	-
50	Safety label		1	3310 1602 00

CP 0017 SVR 3H19

	1								
2	3	4	5	6	7	8	9	10	



Crowder Supply Co, Inc. 8495 Roslyn St Commerce City, CO 80022 (303) 433-5144 FAX: (303) 433-3928 Toll Free: (888) 883-5144 www.crowdersupply.com

No.	Description	Remark	Quantity	Part number
1(2-10)	Handle, complete		1	Z8726840
2	Handle		1	
3	Pin - Throttle lever		2	R133757
4	Lever - Throttle		1	F815167
5	Bushing - Throttle valve		1	P144656
6	O-ring		1	P083071
7	Valve - Throttle		1	P144202
8	Spring - Throttle valve		1	C077054
9	Strainer - Air		1	C036909
10	Bushing - Inlet		1	C092292
11	Screw	Socket head UNF ¼-28 x 1-¾	2	C051781
12	Washer - Flat		2	F826979
13	Screw	Socket head UNC ¼-20 x 1-½	6	C064807
14	Tube - Air		1	P144652
15	Buffer - Top		1	H2320840
16	Buffer plate		1	D5091840
17	Spring		1	H3438840
18	Screw	Socket head M6 x 40-12.9	12	Q2885840
19	Isolator plate		1	C4306840
20	Buffer - Bottom		1	H2326840
21	Seal - Air tube		1	H0295840
22	Housing - Shutoff		1	Z4605840
23	O-ring		1	C116352
24	Lid - Upper valve		1	P144140
25	Valve - Cycling		1	P142921
26	Case - valve		1	P144141
27	Lid - Lower valve		1	P144142
28	O-ring		1	C087316
29	Seat - Shutoff		1	P144659
30	Piston	Ø 3 in. (76.2 mm)	1	P157919
31	Pin - Dowel		2	P144147
32	Cylinder	3 in. (76.2 mm)	1	
33	Ring - Retainer		1	F035269
34	Bushing	0.75 in. x 1.97 in. (19 x 50 mm) hexagon	1	P157918
35	Pin - Dowel		1	P145400
36	Roller - Guide kit	Consists of 6 roller guides	1	Z8759840
37	Adaptor - Cylinder		1	C9205840
38	O-ring		1	P144662
39	Housing - Isolator		1	P144650
40	Ring - Bearing		1	P144663
41	Deflector - Exhaust		1	P144654
42	Buffer		1	P157920
43	Retainer		1	P144137
44	Retainer, optional	Quick change, off-center	1	C8792840
45	Ring - Buffer		1	H2328840
46	Data plate		1	
47	Safety label		1	3310 1602 00
48	Noise level label		1	

Crowder Supply Co., Inc. 8495 Roslyn St Commerce City, CO 80022 (303) 433-5144 FAX: (303) 433-3928 Toll Free: (888) 883-5144 www.crowdersupply.com

Accessories

Hose rolls

Metric

Description	Inner diameter (mm)	Thickness (mm)	Maximum working pressure (bar)	Length of roll (m)	Weight (kg)	Part number
Red-X hose roll	19	2.0	20	60	11	8900 0050 10
Red-X hose roll	19	2.0	20	100	18	8900 0050 11
Red-X hose roll	19	2.0	20	200	36	8900 0050 12
Red-X hose roll	25	2.5	20	60	15	8900 0050 20
Red-X hose roll	25	2.5	20	100	25	8900 0050 21
Red-X hose roll	25	2.5	20	200	50	8900 0050 22

Imperial

Description	Inner diameter (in.)	Thickness (in.)	Maximum working pressure (psi)	Length of roll (ft)	Weight (lb)	Part number
Red-X hose roll	¾	¼	290	195	24.3	8900 0050 10
Red-X hose roll	¾	¼	290	325	39.7	8900 0050 11
Red-X hose roll	¾	¼	290	650	79.4	8900 0050 12
Red-X hose roll	1	½	290	195	33.1	8900 0050 20
Red-X hose roll	1	½	290	325	55.1	8900 0050 21
Red-X hose roll	1	½	290	650	110.2	8900 0050 22

Pre-mounted universal hoses with claw couplings

Metric

Description	Inner diameter (mm)	Thickness (mm)	Maximum working pressure (bar)	Length of roll (m)	Weight (kg)	Part number
Red-X universal hose	19	2.0	20	20	4.5	8900 0050 09
Red-X universal hose	25	2.5	20	20	6.0	8900 0050 23

Imperial

Description	Inner diameter (in.)	Thickness (in.)	Maximum working pressure (psi)	Length of roll (ft)	Weight (lb)	Part number
Red-X universal hose	¾	¼	290	50	8.8	8900 0050 08
Red-X universal hose	1	½	290	50	11.0	8900 0050 24

Water separator

Metric

Description	Hose connection (mm)	Air flow (l/s)	Weight (kg)	Part number
Water separator (¼ in. BSP)	20	61	0.8	8900 0050 00

Imperial

Description	Hose connection (in.)	Air flow (foot ³ /min)	Weight (lb)	Part number
Water separator (¼ in. NPT)	¾	130	1.8	8900 0050 01

Lubricator

Metric

Description	Hose connection (mm)	Air flow (l/s)	Oil volume (l)	Weight (kg)	Part number
Lubricator 1300 (1 in. BSP)	25	15-140	1.3	3	8900 0050 02

Imperial

Description	Hose connection (in.)	Air flow (foot ³ /min)	Oil volume (US gallon)	Weight (lb)	Part number
Lubricator 43 (1 in. NPT)	1	32-300	0.34	6.6	8900 0050 07

CP airolene plus tool oil

Metric

Description	Oil volume (l)	Part number
5 l container	5	8099 0202 49
4 x 5 l container	20	8099 0202 51

Imperial

Description	Oil volume (US gallon)	Part number
1.32 US gallon container	1.32	8099 0202 49
4 x 1.32 US gallon container	5.28	8099 0202 51