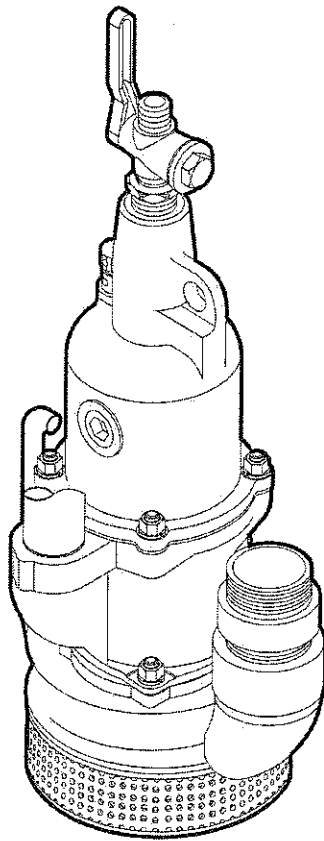




Spare parts list

CP 0020 Submersible water pump



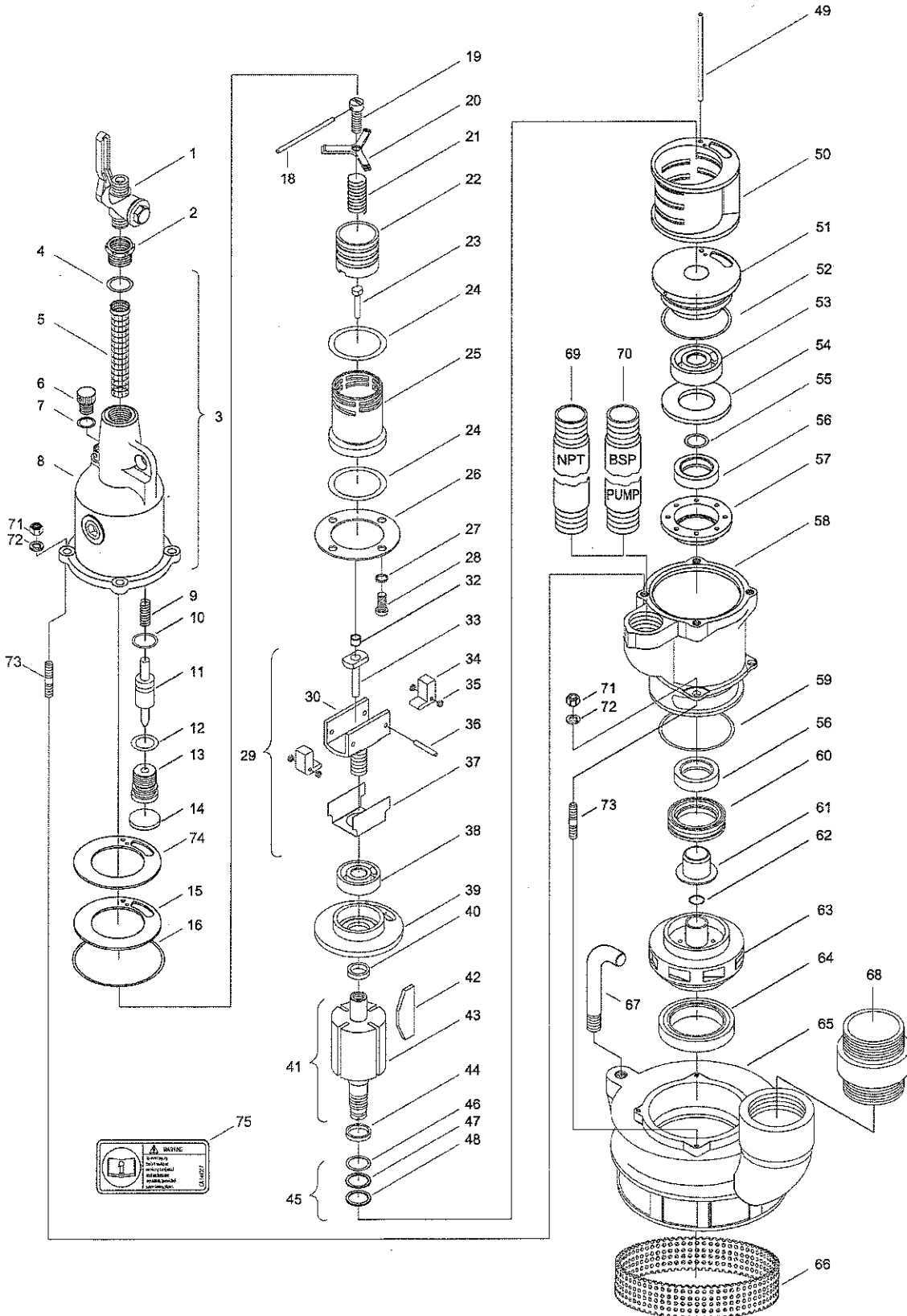
Crowder Supply Co, Inc. 8495 Roslyn St Commerce City, CO 80022 (303) 433-5144 FAX: (303) 433-3928 Toll Free: (888) 883-5144 www.crowdersupply.com

www.cp.com

 Chicago
Pneumatic

Spare parts list

Crowder Supply Co. Inc. 8495 Roslyn St Commerce City, CO 80022 (303) 433-5144 FAX: (303) 433-3928 Toll Free: (888) 883-5144 www.crowdersupply.com



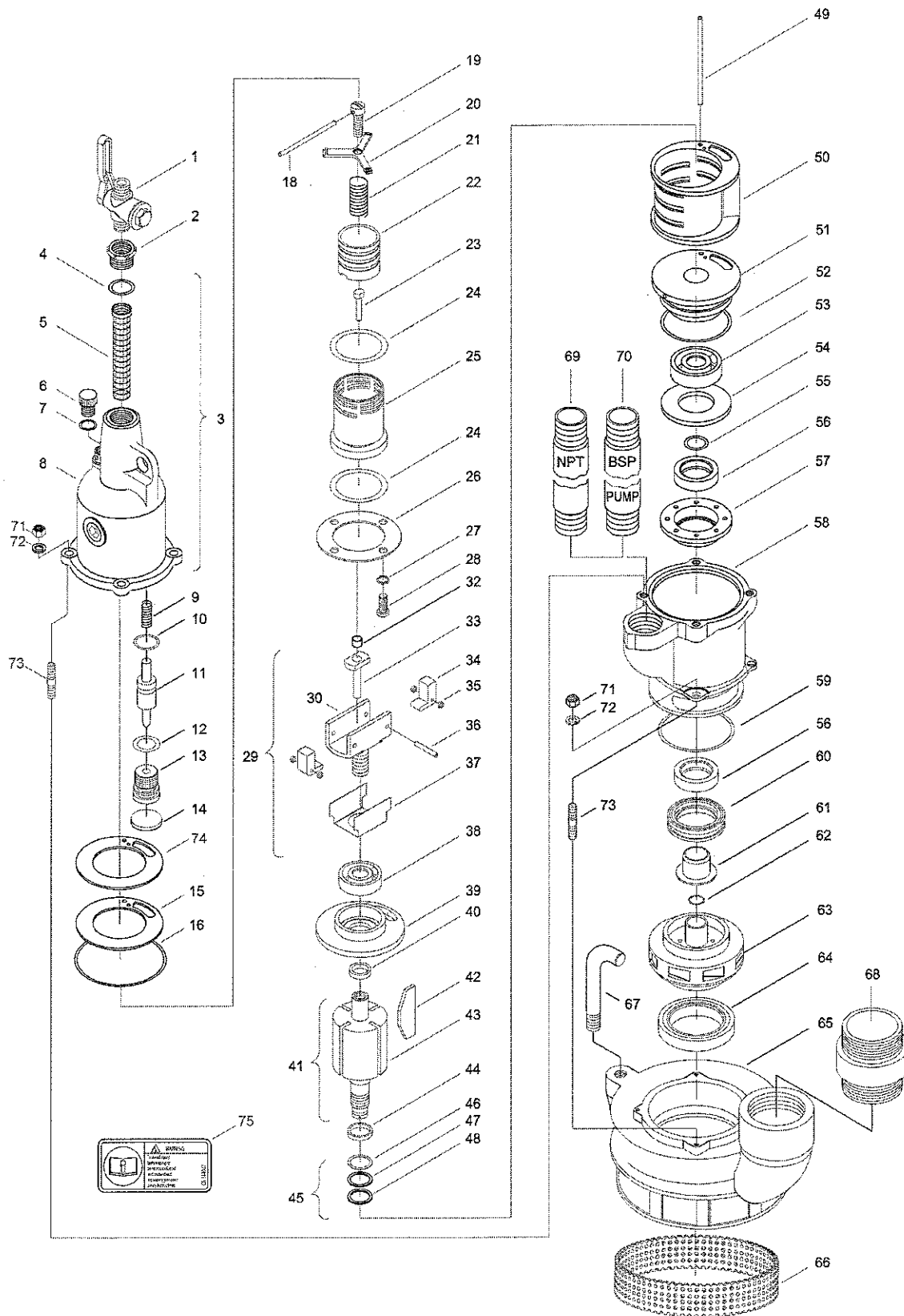


No.	Ordering No.	Quantity	Description
1	R137313	1	Valve (3/4" male)
2	R137314	1	Bushing - air inlet
3	C086466	1	Governor housing complete (includes item No. 4, 5, 6, 7 & 8)
4	C084172	1	O-ring
5	C085374	1	Strainer - air
6	C086130	1	Plug - oil
7	P083082	1	O-ring
8	C085366	1	Housing - governor
9	S017510	1	Spring
10	C079489 **)	1	O-ring
11	C085378	1	Valve - oiler
12	P083071 **)	1	O-ring
13	C085379	1	Seat - oiler valve
14	C085380	1	Plug - oiler
15	C085363 **)	1	Gasket - governor housing
16	C085386 **)	1	O-ring
18	C056975	1	Lock wire
19	C056974	1	Screw
20	C089835	1	Retainer - governor spring
21	C085372	1	Spring - governor
22	C085370	1	Valve - governor
23	C085371	1	Pin - governor valve
24	C085385 **)	2	O-ring
25	C085368	1	Cage - governor
26	C085369	1	Disc - gage tension
27	S008020	4	Lock washer
28	S007685	4	Screw
29	C086467	1	Governor body complete (includes item No. 30, 32, 33, 34, 35, 36 & 37)
30	—*)	1	Body governor
32	—*)	1	Nylon insert
33	—*) **)	1	Pin - governor push
34	—*)	2	Weight - governor
35	—*)	4	Spacer - governor weight
36	—*) **)	2	Pin - governor weight
37	—*)	1	Retainer - pin
38	C013654	1	Bearing - ball

—*) Not delivered separately

***) Included in Tune-Up Kit C101077

Crowder Supply Co, Inc. 8495 Roslyn St Commerce City, CO 80022 (303) 433-5144 FAX: (303) 433-3928 Toll Free: (888) 883-5144 www.crowdersupply.com





No.	Ordering No.	Quantity	Description
39	C085360	1	Plate - Upper end (replacement of this part, may require replacement of item No. 74)
40	C085358	1	Spacer - rotor bearing (Upper)
41	Z8777463	1	Rotor complete (includes item No. 42 & 43)
42	C085362 **)	4	Blade - rotor
43	—*)	1	Rotor
44	C085357	1	Spacer - rotor bearing (Lower)
45	Z8778463	1	Shim complete (includes item No. 46, 47 & 48)
46	—*)	2	Shim (0.001"/0.03mm)
47	—*)	2	Shim (0.002"/0.05mm)
48	—*)	2	Shim (0.003"/0.08mm)
49	C085355	1	Pin - dowel
50	C085361	1	Liner (replacement of this part, may require replacement of item No. 74)
51	C085356	1	Plate - lower end (replacement of this part, may require replacement of item No. 74)
52	C086699 **)	1	O-ring
53	C085382	1	Bearing - ball
54	C088457 **)	1	Gasket - seal plate
55	C084173 **)	1	O-ring
56	C088616 **)	2	Seal - oil
57	C088456	1	Plate - seal
58	C085348	1	Housing - motor
59	H083084 **)	1	O-ring
60	C088458	1	Plate - upper wear
61	C088455	1	Sleeve - impeller
62	C084400 **)	1	O-ring
63	C088758	1	Impeller
64	C088459	1	Plate - lower wear
65	C085341	1	Housing - impeller
66	C085342	1	Screen
67	C085347	1	Handle
68	R137581	1	Nipple (2 1/2" BSP)
69	C086080	1	Pipe - exhaust (NPT)
70	R137580	1	Pipe - exhaust (BSP)
71	C085834	8	Nut - brass (3/8"-16)
72	C035166	8	Lock washer (3/8")
73	C061078	8	Stud (3/8" - 16 x 3/8")
74	C048412 **)	1	Shim
75	C144007	1	Safety label

—*) Not delivered separately

***) Included in Tune-Up Kit C101077



Tune-Up Kit C101077

It is recommended that Tune-Up Kit parts are installed each time the pump is disassembled. The Tune-Up Kit includes numbers 10, 12, 15, 16, 24, 33, 36, 42, 52, 54, 55, 56, 59, 62 and 74.

No.	Ordering No.	Quantity	Description
10	C079489	1	O-ring
12	P083071	1	O-ring
15	C085363	1	Gasket - governor housing
16	C085386	1	O-ring
24	C085385	2	O-ring
33	—*)	1	Pin - governor push
36	—*)	2	Pin - governor weight
42	C085362	4	Blade - rotor
52	C086699	1	O-ring
54	C088457	1	Gasket - seal plate
55	C084173	1	O-ring
56	C088616	2	Seal - oil
59	H083084	1	O-ring
62	C084400	1	O-ring
74	C048412	2	Shim

—*) Not delivered separately