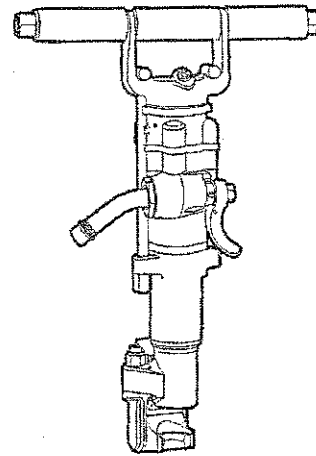




Spare parts list

Handheld pneumatic drills

CP 0022KL



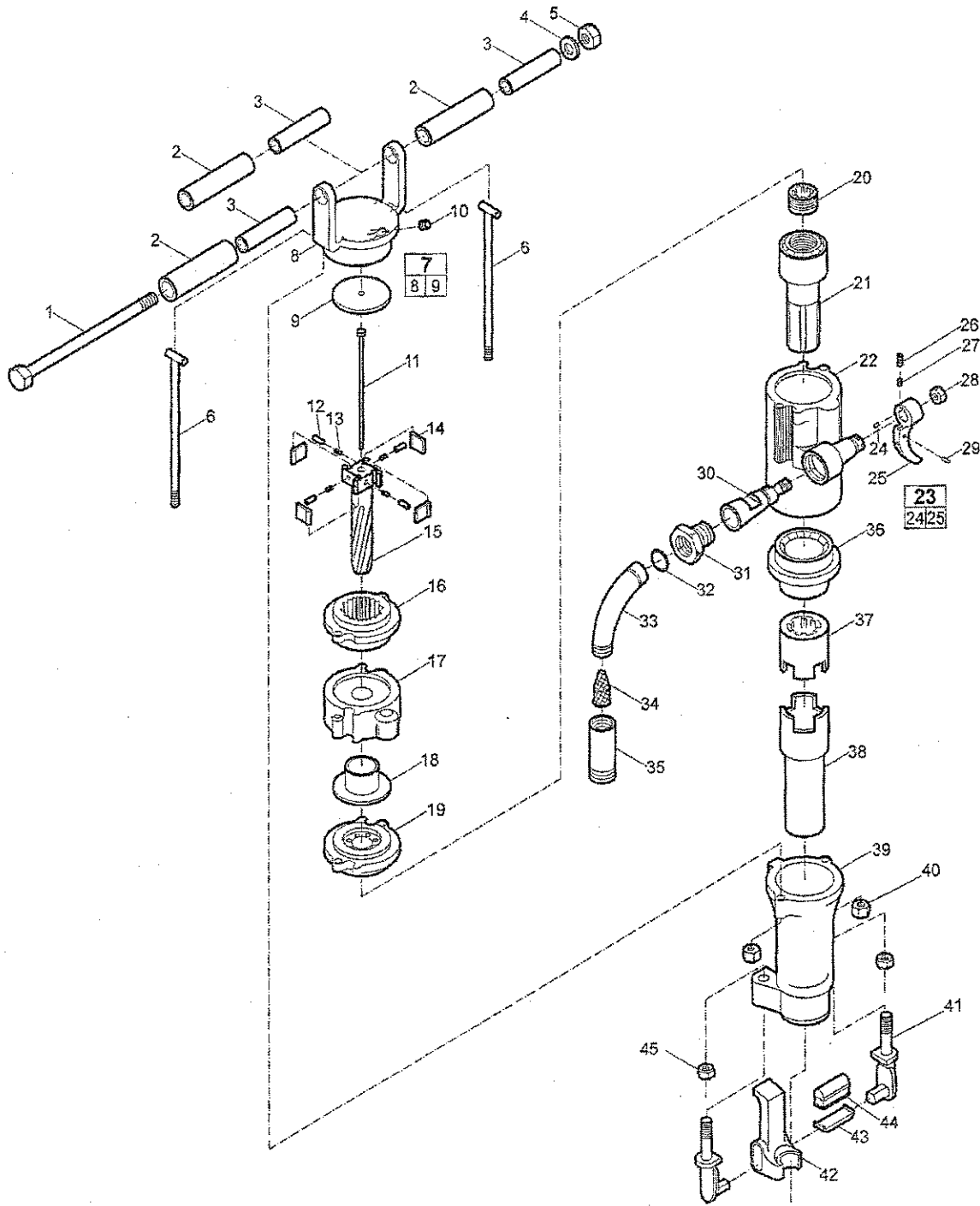
Crowder Supply Co, Inc. 8495 Roslyn St Commerce City, CO 80022 (303) 433-5144 FAX: (303) 433-3928 Toll Free: (888) 883-5144 www.crowdersupply.com

www.cp.com

Chicago Pneumatic Construction Tools

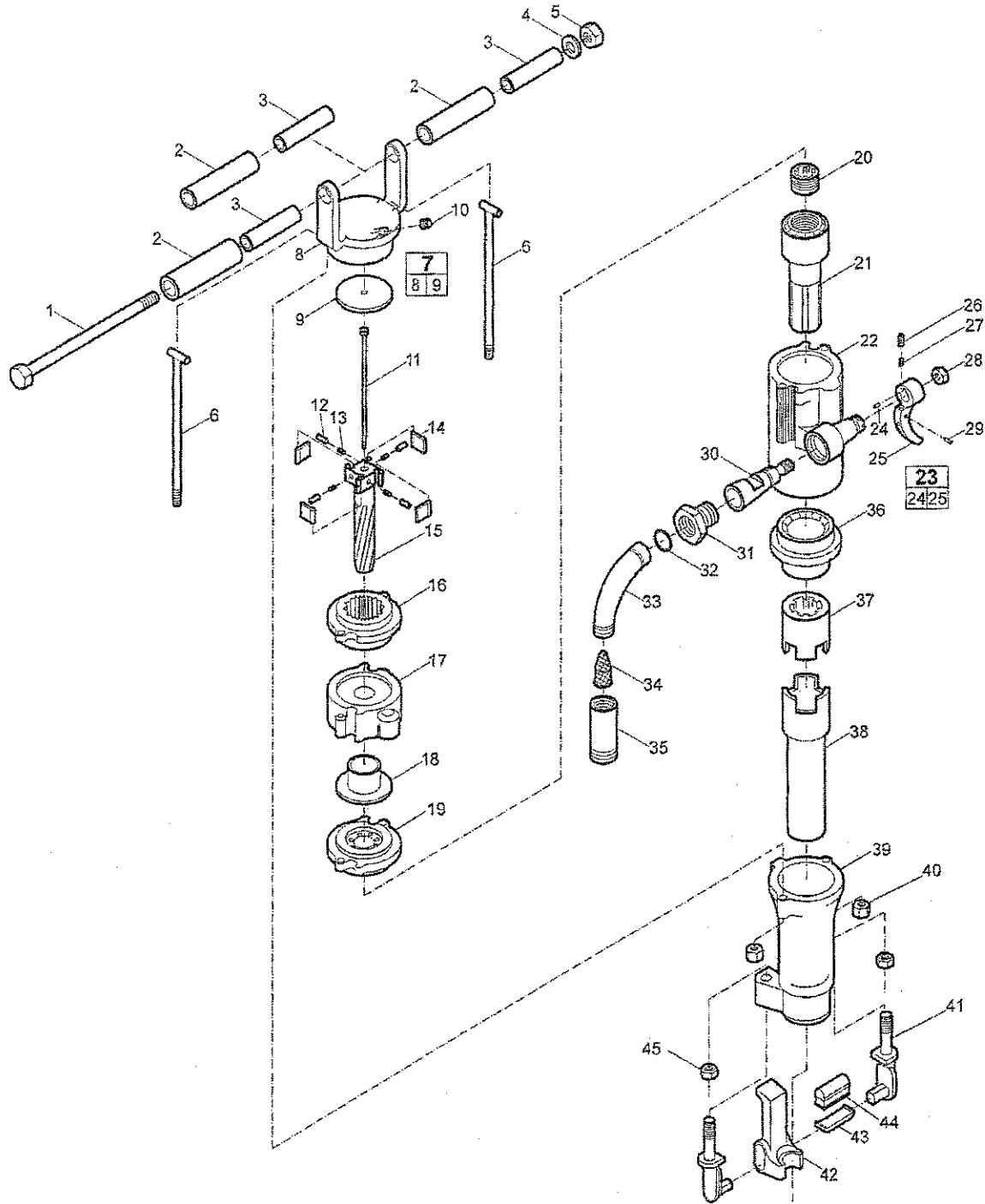
Spare parts list

CP 0022 KL 7/8" x 3 1/4"



| No. | Description | Remark | Quantity | Part number |
|-----------|----------------------------------|----------------------------|----------|--------------|
| 1 | Bolt - Handle | | 1 | R075584 |
| 2 | Grip - Handle | | 3 | R000692 |
| 3 | Liner - Handle | | 3 | R000694 |
| 4 | Washer - Bolt key | | 1 | R000142 |
| 5 | Nut - Elastic stop | | 1 | R005742 |
| 6 | Bolt - Thru | | 2 | R075601 |
| 7(8-9) | Backhead, complete | | 1 | F035373 |
| 8 | Backhead | | 1 | |
| 9 | Washer - Backhead | | 1 | R075580 |
| 10 | Plug - Pipe | 3/8" | 1 | C077941 |
| 11 | Rod - Air | | 1 | R075598 |
| 12 | Plunger - Pawl | | 4 | R009224 |
| 13 | Spring - Pawl plunger | | 4 | R000619 |
| 14 | Pawl | | 4 | R000617 |
| 15 | Bar - Rifle | | 1 | R075586 |
| 16 | Ring - Ratchet | | 1 | R075585 |
| 17 | Case - Valve | | 1 | R075583 |
| 18 | Valve | | 1 | R075581 |
| 19 | Valve seat | | 1 | R075582 |
| 20 | Nut - Rifle | | 1 | R075587 |
| 21 | Piston | | 1 | R000037 |
| 22 | Cylinder | | 1 | R075577 |
| 23(24-25) | Throttle handle, complete | | 1 | R075589 |
| 24 | Key - Throttle handle | | 1 | R075592 |
| 25 | Handle - Throttle valve | | 1 | - |
| 26 | Plunger - Throttle handle | | 1 | R075590 |
| 27 | Spring - Throttle valve | | 1 | R000528 |
| 28 | Nut - Elastic stop | 1/2" - 20 | 1 | R075593 |
| 29 | Pin - Throttle handle | 3/32" x 3/16" | 1 | P089767 |
| 30 | Valve - Throttle | | 1 | R075588 |
| 31 | Nut - Air swivel | | 1 | R075599 |
| 32 | O-ring | | 1 | C106884 |
| 33 | Swivel - Air inlet | | 1 | F814720 |
| 34 | Screen - Air inlet | | 1 | R005584 |
| 35 | Sleeve - Air inlet | | 1 | R005744 |
| 36 | Bushing - Cylinder | | 1 | R075578 |
| 37 | Nut - Chuck rotation | | 1 | R075597 |
| 38 | Chuck | 7/8" x 3/4" (22 x 82.5 mm) | 1 | R075596 |
| 39 | Fronthead | 7/8" x 3/4" (22 x 82.5 mm) | 1 | 3303 0052 12 |
| 40 | Nut - Through bolt | | 2 | R085164 |
| 41 | Trunnion | | 2 | 3303 0052 16 |
| 42 | Latch - Retainer | | 1 | 3303 0052 18 |
| 43 | Plate - Buffer | | 1 | 3111 0056 00 |
| 44 | Buffer | | 1 | 3111 0057 00 |
| 45 | Nut - Elastic stop | | 2 | Q2122000 |

CP 0022 KL 7/8" x 4 1/4"



| No. | Description | Remark | Quantity | Part number |
|-----------|----------------------------------|-----------------------------|----------|--------------|
| 1 | Bolt - Handle | | 1 | R075584 |
| 2 | Grip - Handle | | 3 | R000692 |
| 3 | Liner - Handle | | 3 | R000694 |
| 4 | Washer - Bolt key | | 1 | R000142 |
| 5 | Nut - Elastic stop | | 1 | R005742 |
| 6 | Bolt - Thru | | 2 | R075601 |
| 7(8-9) | Backhead, complete | | 1 | F035373 |
| 8 | Backhead | | 1 | |
| 9 | Washer - Backhead | | 1 | R075580 |
| 10 | Plug - Pipe | 3/4" | 1 | C077941 |
| 11 | Rod - Air | | 1 | R075598 |
| 12 | Plunger - Pawl | | 4 | R009224 |
| 13 | Spring - Pawl plunger | | 4 | R000619 |
| 14 | Pawl | | 4 | R000617 |
| 15 | Bar - Rifle | | 1 | R075586 |
| 16 | Ring - Ratchet | | 1 | R075585 |
| 17 | Case - Valve | | 1 | R075583 |
| 18 | Valve | | 1 | R075581 |
| 19 | Valve seat | | 1 | R075582 |
| 20 | Nut - Rifle | | 1 | R075587 |
| 21 | Piston | | 1 | R000037 |
| 22 | Cylinder | | 1 | R075577 |
| 23(24-25) | Throttle handle, complete | | 1 | R075589 |
| 24 | Key - Throttle handle | | 1 | R075592 |
| 25 | Handle - Throttle valve | | 1 | - |
| 26 | Plunger - Throttle handle | | 1 | R075590 |
| 27 | Spring - Throttle valve | | 1 | R000528 |
| 28 | Nut - Elastic stop | 3/4" - 20 | 1 | R075593 |
| 29 | Pin - Throttle handle | 3/16" x 5/16" | 1 | P089767 |
| 30 | Valve - Throttle | | 1 | R075588 |
| 31 | Nut - Air swivel | | 1 | R075599 |
| 32 | O-ring | | 1 | C106884 |
| 33 | Swivel - Air inlet | | 1 | F814720 |
| 34 | Screen - Air inlet | | 1 | R005584 |
| 35 | Sleeve - Air inlet | | 1 | R005744 |
| 36 | Bushing - Cylinder | | 1 | R075578 |
| 37 | Nut - Chuck rotation | | 1 | R075597 |
| 38 | Chuck | 7/8" x 4 1/4" (22 x 108 mm) | 1 | R146130 |
| 39 | Fronthead | 7/8" x 4 1/4" (22 x 108 mm) | 1 | 3303 0052 14 |
| 40 | Nut - Through bolt | | 2 | R085164 |
| 41 | Trunnion | | 2 | 3303 0052 16 |
| 42 | Latch - Retainer | | 1 | 3303 0052 18 |
| 43 | Plate - Buffer | | 1 | 3111 0056 00 |
| 44 | Buffer | | 1 | 3111 0057 00 |
| 45 | Nut - Elastic stop | | 2 | Q2122000 |

Accessories

Accessories

| Description | Remark | Quantity | Part number |
|-----------------|--------------------------------------|----------|--------------|
| Water separator | European version, BSP | 1 | 8900 0050 00 |
| Water separator | US version, NPT | 1 | 8900 0050 01 |
| Lubricator 43 | US version claw couplings, NPT | 1 | 8900 0050 07 |
| Lubricator 1300 | European version claw couplings, BSP | 1 | 8900 0050 02 |
| RED-X, Air hose | Pre-mounted US 50 ft (15 m) | 1 | 8900 0050 08 |
| RED-X, Air hose | Pre-mounted 20 m (65 ft) | 1 | 8900 0050 09 |
| RED-X, Air hose | 60 m (195 ft) | 1 | 8900 0050 10 |

Kits

Vibration handle kit

| Description | Remark | Quantity | Part number |
|----------------------|--------|----------|-------------|
| Vibration handle kit | | 1 | R154915 |
| Nut - Hexagon | | 2 | R157932 |
| Rod - Threaded | | 1 | R157933 |