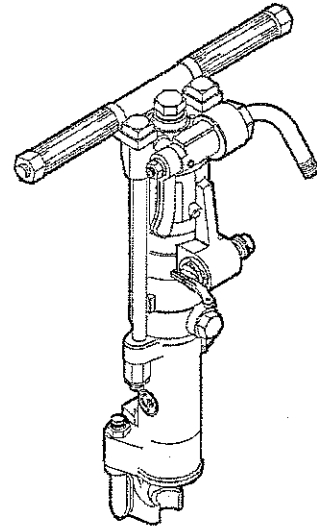


Spare parts list

Handheld pneumatic drills

CP 0032



Crowder Supply Co, Inc. 8495 Roslyn St Commerce City, CO 80022 (303) 433-5144 FAX: (303) 433-3928 Toll Free: (888) 883-5144 www.crowdersupply.com

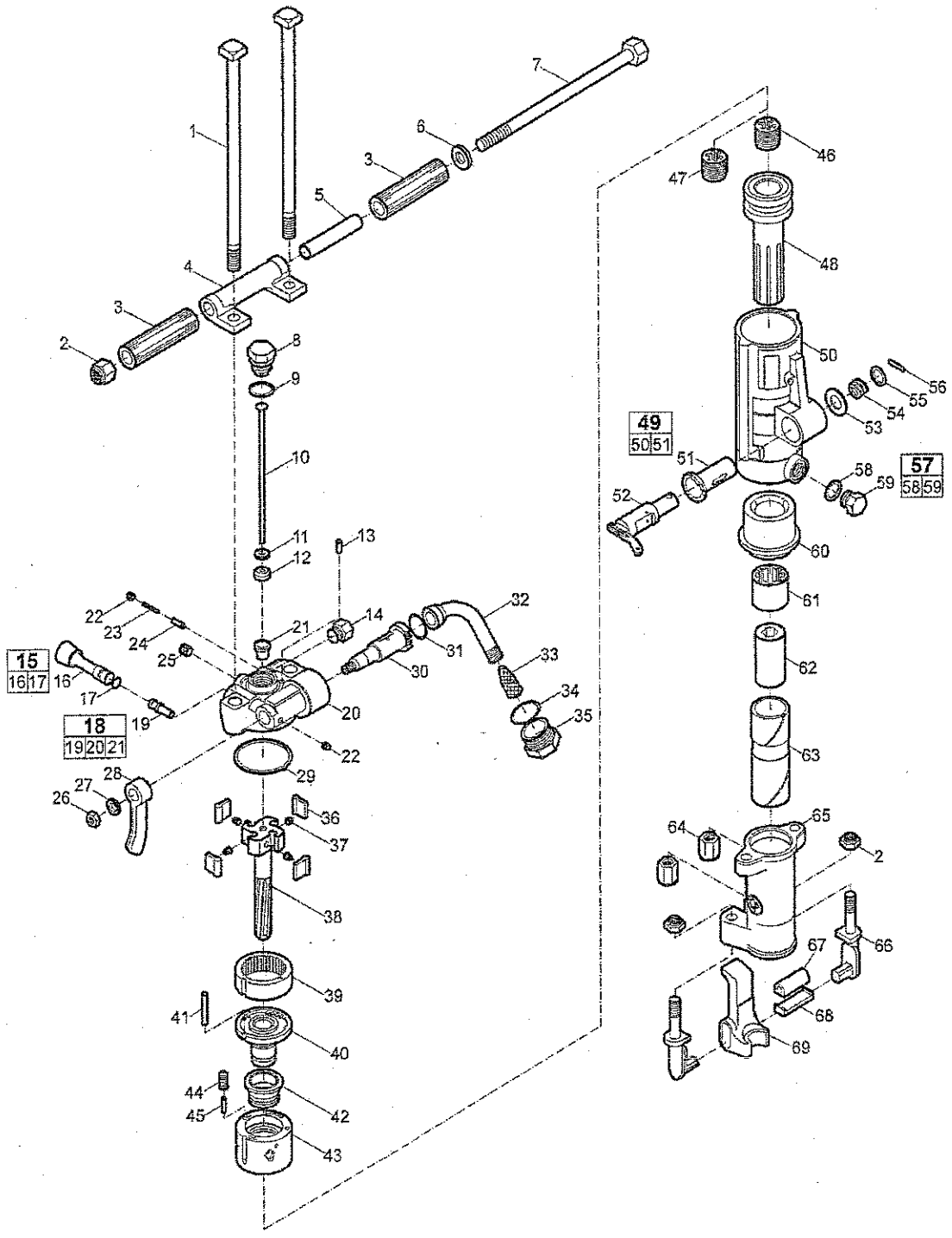
www.cp.com

Chicago Pneumatic Construction Tools



Spare parts list

CP 0032 A 7/8" x 3 1/4"

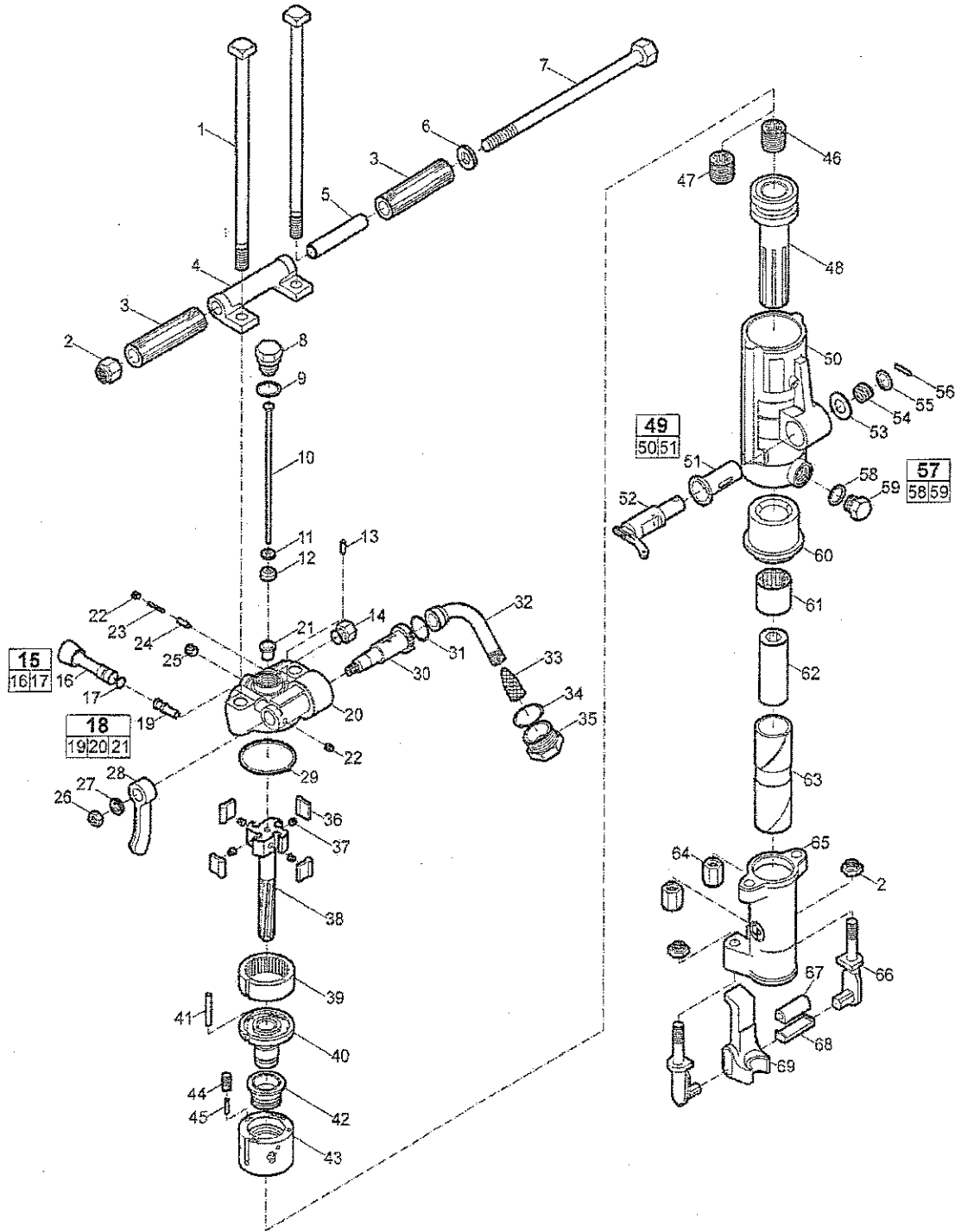


Crowder Supply Co, Inc. 8495 Roslyn St Commerce City, CO 80022 (303) 433-5144 FAX: (303) 433-3928 Toll Free: (888) 883-5144 www.crowdersupply.com

No.	Description	Remark	Quantity	Part number
1	Bolt - Thru		2	R086623
2	Nut - Elastic stop	5/8" - 11	3	R005742
3	Grip - Handle		2	R075419
4	Bracket - Handle		1	R086608
5	Liner - Handle		1	R076172
6	Washer - Handle bolt key		1	R000142
7	Bolt - Handle		1	R076173
8	Plug - Air tube		1	R076793
9	Gasket - Tube plur		2	R000537
10	Tube - Air		1	R077184
11	Washer - Air tube		1	R075449
12	Rubber - Air tube		1	R075099
13	Pin - Valve plunger		1	R075802
14	Plug - Water valve		1	R076372
15(16-17)	Water valve port plug, complete		1	R079130
16	Water valve port plug		1	-
17	O-ring		1	C079489
18(19-21)	Backhead, complete		1	R087948
19	Bushing - Water valve		1	R098054
20	Backhead		1	-
21	Bushing - Blow tube		1	R137738
22	Plug - Pipe	1/4"	2	C068064
23	Spring - Valve plunger		1	R085671
24	Plunger - Throttle valve		1	R086627
25	Plug - Pipe	1/4"	1	C068799
26	Nut - Hexagon	1/2" - 20	1	P002149
27	Lock washer - Valve handle	1/4"	1	C036717
28	Handle - Throttle valve		1	R079124
29	Gasket		1	H0979432
30	Valve - Throttle		1	R086628
31	O-ring		1	P103521
32	Swivel - Air inlet		1	R075265
33	Screen - Air inlet		1	R005584
34	O-ring		1	R110317
35	Nut - Air inlet swivel		1	R000530
36	Pawl		4	R075267
37	Spring - Pawl		4	R086654
38	Bar - Rifle		1	R086622
39	Ring - Ratchet		1	R076194
40	Bushing - Valve guide		1	R098085
41	Pin - Valve case dowel		1	R075772
42	Valve		1	R076263
43	Case - Valve		1	R076264
44	Plug - Oil regulating		1	R098084
45	Stem - Oil regulating		1	R085625
46	Nut - Rifle bar	Steel	1	R075839
47	Nut - Rifle bar	Bronze	1	R075826
48	Piston		1	R000088

No.	Description	Remark	Quantity	Part number
49(50-51)	Cylinder, complete		1	R087990
50	Cylinder		1	-
51	Bushing - Blower valve		1	R086611
52	Valve - Blower		1	R086612
53	Washer - Blower valve		1	R075777
54	Spring - Blower valve		1	R075778
55	Washer - Valve spring		1	R075780
56	Pin - Spring		1	R076266
57(58-59)	Oil plug, complete		1	R085611
58	Gasket - Oil plug		1	R091176
59	Oil plug		1	-
60	Bushing - Cylinder		1	R042161
61	Nut - Chuck rotation		1	R086733
62	Chuck	7/8" x 3 1/4" (22 x 82.5 mm)	1	R099374
63	Sleeve - Chuck	7/8" x 3 1/4" (22 x 82.5 mm)	1	R041321
64	Nut - Thru bolt		2	R085756
65	Fronthead	7/8" x 3 1/4" (22 x 82.5 mm)	1	R041320
66	Turnion - Retainer		2	R093896
67	Buffer - Retainer		1	R093897
68	Retainer - Latch shoe		1	R093898
69	Retainer	7/8" (22 mm)	1	R093913

CP 0032 A 7/8" x 4 1/4"

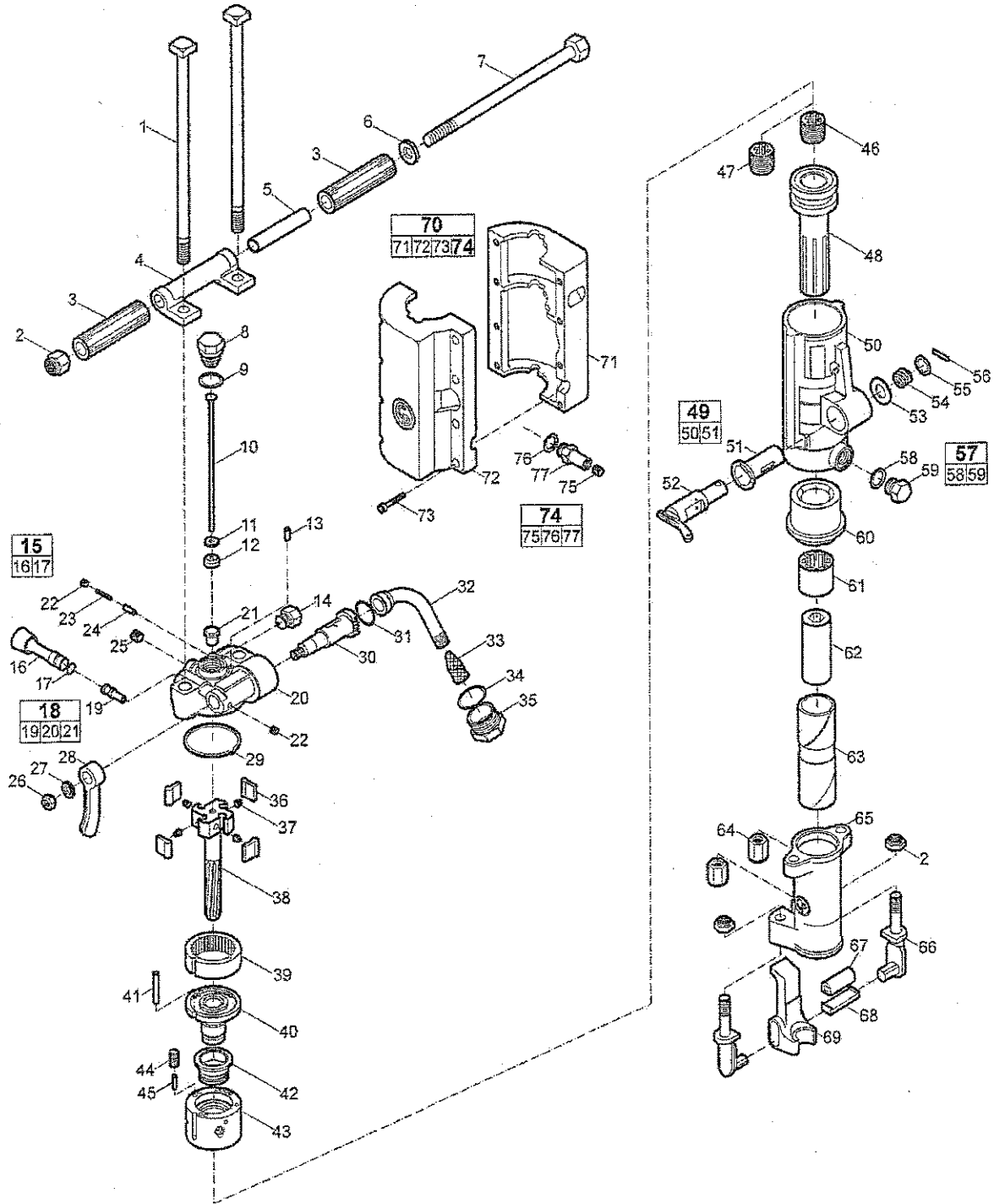


Crowder Supply Co, Inc. 8495 Roslyn St Commerce City, CO 80022 (303) 433-5144 FAX: (303) 433-3928 Toll Free: (888) 883-5144 www.crowdersupply.com

No.	Description	Remark	Quantity	Part number
1	Bolt - Thru		2	R086623
2	Nut - Elastic stop	5/8" - 11	3	R005742
3	Grip - Handle		2	R075419
4	Bracket - Handle		1	R086608
5	Liner - Handle		1	R076172
6	Washer - Handle bolt key		1	R000142
7	Bolt - Handle		1	R076173
8	Plug - Air tube		1	R076793
9	Gasket - Tube plug		2	R000537
10	Tube - Air		1	R077184
11	Washer - Air tube		1	R075449
12	Rubber - Air tube		1	R075099
13	Pin - Valve plunger		1	R075802
14	Plug - Water valve		1	R076372
15(16-17)	Water valve port plug, complete		1	R079130
16	Water valve port plug		1	
17	O-ring		1	C079489
18(19-21)	Backhead, complete		1	R067948
19	Bushing - Water valve		1	R098054
20	Backhead		1	
21	Bushing - Blow tube		1	R137738
22	Plug - Pipe	1/4"	2	C068064
23	Spring - Valve plunger		1	R085671
24	Plunger - Throttle valve		1	R086627
25	Plug - Pipe	1/4"	1	C058799
26	Nut - Hexagon	1/2" - 20	1	P002149
27	Lock washer - Valve handle	1/2"	1	C036717
28	Handle - Throttle valve		1	R079124
29	Gasket		1	H0979432
30	Valve - Throttle		1	R086628
31	O-ring		1	P103521
32	Swivel - Air inlet		1	R075265
33	Screen - Air inlet		1	R005584
34	O-ring		1	R110317
35	Nut - Air inlet swivel		1	R000530
36	Pawl		4	R075267
37	Spring - Pawl		4	R086654
38	Bar - Rifle		1	R086622
39	Ring - Ratchet		1	R076194
40	Bushing - Valve guide		1	R098085
41	Pin - Valve case dowel		1	R075772
42	Valve		1	R076263
43	Case - Valve		1	R076264
44	Plug - Oil regulating		1	R098084
45	Stem - Oil regulating		1	R085625
46	Nut - Rifle bar	Steel	1	R075839
47	Nut - Rifle bar	Bronze	1	R075826
48	Piston		1	R000088

No.	Description	Remark	Quantity	Part number
49(50-51)	Cylinder, complete		1	R087990
50	Cylinder		1	
51	Bushing - Blower valve		1	R086611
52	Valve - Blower		1	R086612
53	Washer - Blower valve		1	R075777
54	Spring - Blower valve		1	R075778
55	Washer - Valve spring		1	R075780
56	Pin - Spring		1	R076266
57(58-59)	Oil plug, complete		1	R085611
58	Gasket - Oil plug		1	R091176
59	Oil plug		1	-
60	Bushing - Cylinder		1	R042161
61	Nut - Chuck rotation		1	R086733
62	Chuck	3/8" x 4 1/4" (22 x 108 mm)	1	R093891
63	Sleeve - Chuck	3/8" x 4 1/4" (22 x 108 mm)	1	R041324
64	Nut - Thru bolt		2	R085756
65	Fronthead	3/8" x 4 1/4" (22 x 108 mm)	1	R041323
66	Tunnion - Retainer		2	R093896
67	Buffer - Retainer		1	R093897
68	Retainer - Latch shoe		1	R093898
69	Retainer	3/4" (22 mm)	1	R093913

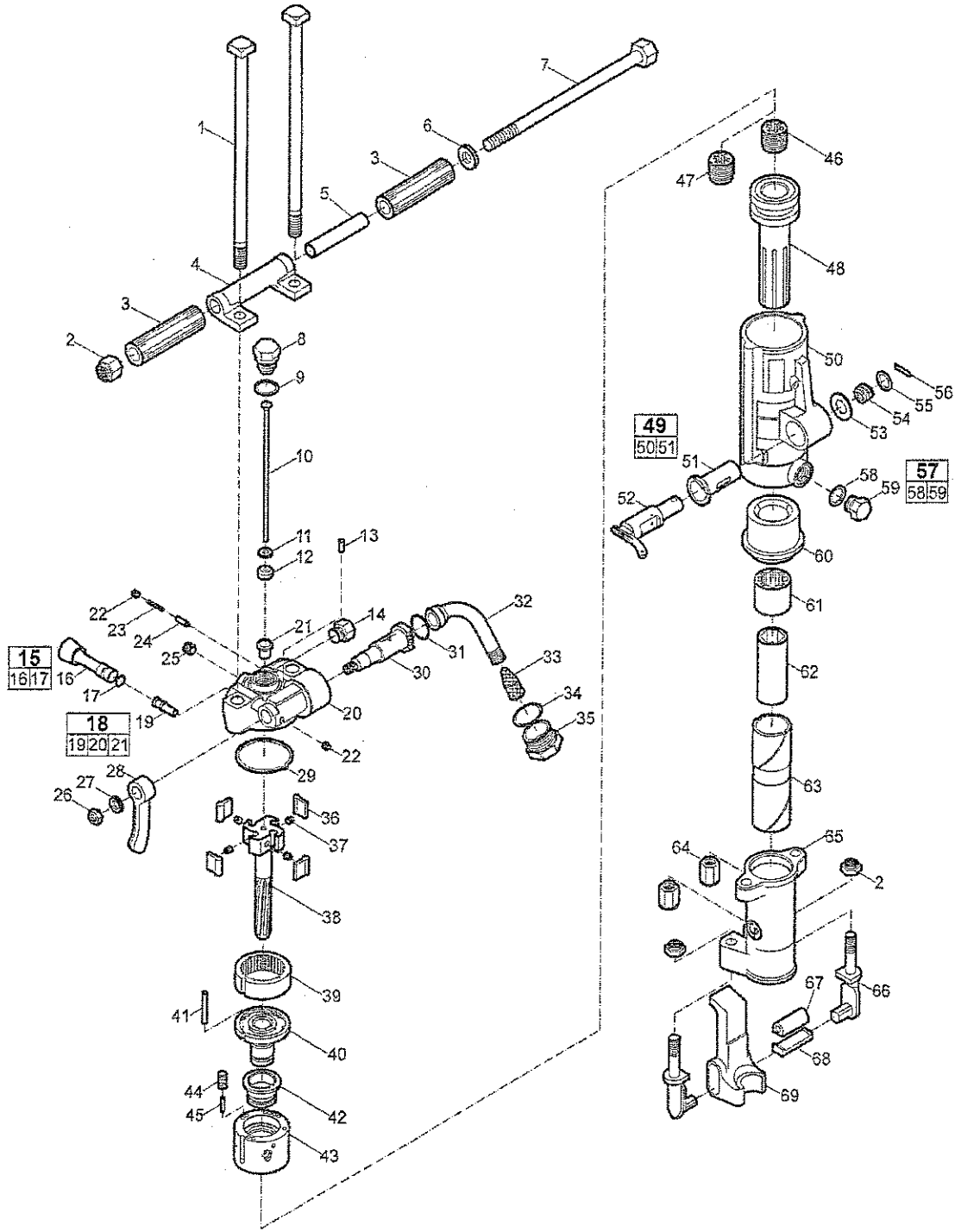
CP 0032 AS 7/8" x 4 1/4"



No.	Description	Remark	Quantity	Part number
1	Bolt - Thru		2	R086623
2	Nut - Elastic stop	3/8" - 11	3	R005742
3	Grip - Handle		2	R075419
4	Bracket - Handle		1	R086608
5	Liner - Handle		1	R076172
6	Washer - Handle bolt key		1	R000142
7	Bolt - Handle		1	R076173
8	Plug - Air tube		1	R076793
9	Gasket - Tube plug		2	R000537
10	Tube - Air		1	R077184
11	Washer - Air tube		1	R075449
12	Rubber - Air tube		1	R075099
13	Pin - Valve plunger		1	R075802
14	Plug - Water valve		1	R076372
15(16-17)	Water valve port plug, complete		1	R079130
16	Water valve port plug		1	
17	O-ring		1	C079489
18(19-21)	Backhead, complete		1	R087948
19	Bushing - Water valve		1	R098054
20	Backhead		1	
21	Bushing - Blow tube		1	R137738
22	Plug - Pipe	3/4"	2	C068064
23	Spring - Valve plunger		1	R085671
24	Plunger - Throttle valve		1	R086627
25	Plug - Pipe	3/4"	1	C068799
26	Nut - Hexagon	1/2" - 20	1	P002149
27	Lock washer - Valve handle	1/2"	1	C036717
28	Handle - Throttle valve		1	R079124
29	Gasket		1	H0979432
30	Valve - Throttle		1	R086628
31	O-ring		1	P103521
32	Swivel - Air inlet		1	R075265
33	Screen - Air inlet		1	R005584
34	O-ring		1	R110317
35	Nut - Air inlet swivel		1	R000530
36	Pawl		4	R075267
37	Spring - Pawl		4	R086654
38	Bar - Rifle		1	R086622
39	Ring - Ratchet		1	R076194
40	Bushing - Valve guide		1	R098085
41	Pin - Valve case dowel		1	R075772
42	Valve		1	R076263
43	Case - Valve		1	R076264
44	Plug - Oil regulating		1	R098084
45	Stem - Oil regulating		1	R085625
46	Nut - Rifle bar	Steel	1	R075839
47	Nut - Rifle bar	Bronze	1	R075826
48	Piston		1	R000088

No.	Description	Remark	Quantity	Part number
49(50-51)	Cylinder, complete		1	R087990
50	Cylinder		1	
51	Bushing - Blower valve		1	R086611
52	Valve - Blower		1	R086612
53	Washer - Blower valve		1	R075777
54	Spring - Blower valve		1	R075778
55	Washer - Valve spring		1	R075780
56	Pin - Spring		1	R076266
57(58-59)	Oil plug, complete		1	R085611
58	Gasket - Oil plug		1	R091176
59	Oil plug		1	-
60	Bushing - Cylinder		1	R042161
61	Nut - Chuck rotation		1	R086733
62	Chuck	7/8" x 4 1/4" (22 x 108 mm)	1	R093891
63	Sleeve - Chuck	7/8" x 4 1/4" (22 x 108 mm)	1	R041324
64	Nut - Thru bolt		2	R085756
65	Fronthead	7/8" x 4 1/4" (22 x 108 mm)	1	R041323
66	Turnion - Retainer		2	R093896
67	Buffer - Retainer		1	R093897
68	Retainer - Latch shoe		1	R093898
69	Retainer	7/8" (22 mm)	1	R093913
70(71-77)	Muffler, complete		1	R125569
71	Hood - Muffler	Left	1	-
72	Hood - Muffler	Right	1	-
73	Screw	3/16" - 24 x 3/4"	8	R117415
74(75-77)	Filet cap, complete		1	R124145
75	Plug - Pipe	1/2"	1	C068799
76	Gasket - Oil plug		1	R091176
77	Filter - Cap		1	-

CP 0032 A 1" x 4 1/4"



No.	Description	Remark	Quantity	Part number
1	Bolt - Thru		2	R086623
2	Nut - Elastic stop	1/2" - 11	3	R005742
3	Grip - Handle		2	R075419
4	Bracket - Handle		1	R086608
5	Liner - Handle		1	R076172
6	Washer - Handle bolt key		1	R000142
7	Bolt - Handle		1	R076173
8	Plug - Air tube		1	R076793
9	Gasket - Tube plug		2	R000537
10	Tube - Air		1	R077184
11	Washer - Air tube		1	R075449
12	Rubber - Air tube		1	R075099
13	Pin - Valve plunger		1	R075802
14	Plug - Water valve		1	R076372
15(16-17)	Water valve port plug, complete		1	R079130
16	Water valve port plug		1	
17	O-ring		1	C079489
18(19-21)	Backhead, complete		1	R087948
19	Bushing - Water valve		1	R098054
20	Backhead		1	
21	Bushing - Blow tube		1	R137738
22	Plug - Pipe	1/2"	2	C068064
23	Spring - Valve plunger		1	R085671
24	Plunger - Throttle valve		1	R086627
25	Plug - Pipe	1/4"	1	C068799
26	Nut - Hexagon	1/2" - 20	1	P002149
27	Lock washer - Valve handle	1/2"	1	C036717
28	Handle - Throttle valve		1	R079124
29	Gasket		1	H0979432
30	Valve - Throttle		1	R086628
31	O-ring		1	P103521
32	Swivel - Air inlet		1	R075263
33	Screen - Air inlet		1	R005584
34	O-ring		1	R110317
35	Nut - Air inlet swivel		1	R000530
36	Pawl		4	R075267
37	Spring - Pawl		4	R086654
38	Bar - Rifle		1	R086622
39	Ring - Ratchet		1	R076194
40	Bushing - Valve guide		1	R098085
41	Pin - Valve case dowel		1	R075772
42	Valve		1	R076263
43	Case - Valve		1	R076264
44	Plug - Oil regulating		1	R098084
45	Stem - Oil regulating		1	R085625
46	Nut - Rifle bar	Steel	1	R075839
47	Nut - Rifle bar	Bronze	1	R075825
48	Piston		1	R000088

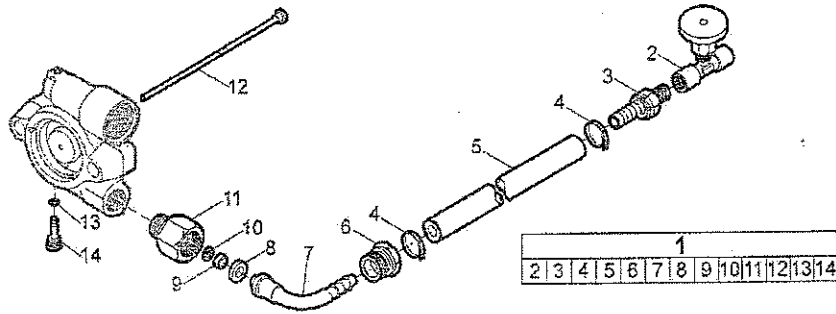
Accessories

Accessories

Description	Remark	Quantity	Part number
Water separator	European version, BSP	1	8900 0050 00
Water separator	US version, NPT	1	8900 0050 01
Lubricator 43	US version claw couplings, NPT	1	8900 0050 03
Lubricator 1300	European version, claw couplings, BSP	1	8900 0050 02
RED-X, Air hose	Pre-mounted US 50 ft (15 m)	1	8900 0050 08
RED-X, Air hose	Pre-mounted 20 m (65 ft)	1	8900 0050 09
RED-X, Air hose	60 m (195 ft)	1	8900 0050 10

Kits

Water conversion kit



No.	Description	Remark	Quantity	Part number
1(2-14)	Water conversion kit		1	R147457
2	Valve - Water		1	-
3	Nipple - Hose		1	-
4	Clamp - Punch lock		2	-
5	Hose	1/2" x 12"	1	-
6	Nut - Water inlet swivel		1	-
7	Swivel - Water inlet		1	-
8	Gasket - Swivel		1	-
9	Retainer - Water strainer		1	-
10	Strainer - Water		1	-
11	Spud - Water inlet		1	-
12	Tube - Water		1	R092420
13	O-ring		1	C087316
14	Plug - Blower port		1	R085627