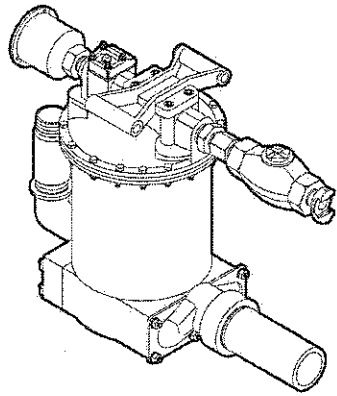




Spare parts list

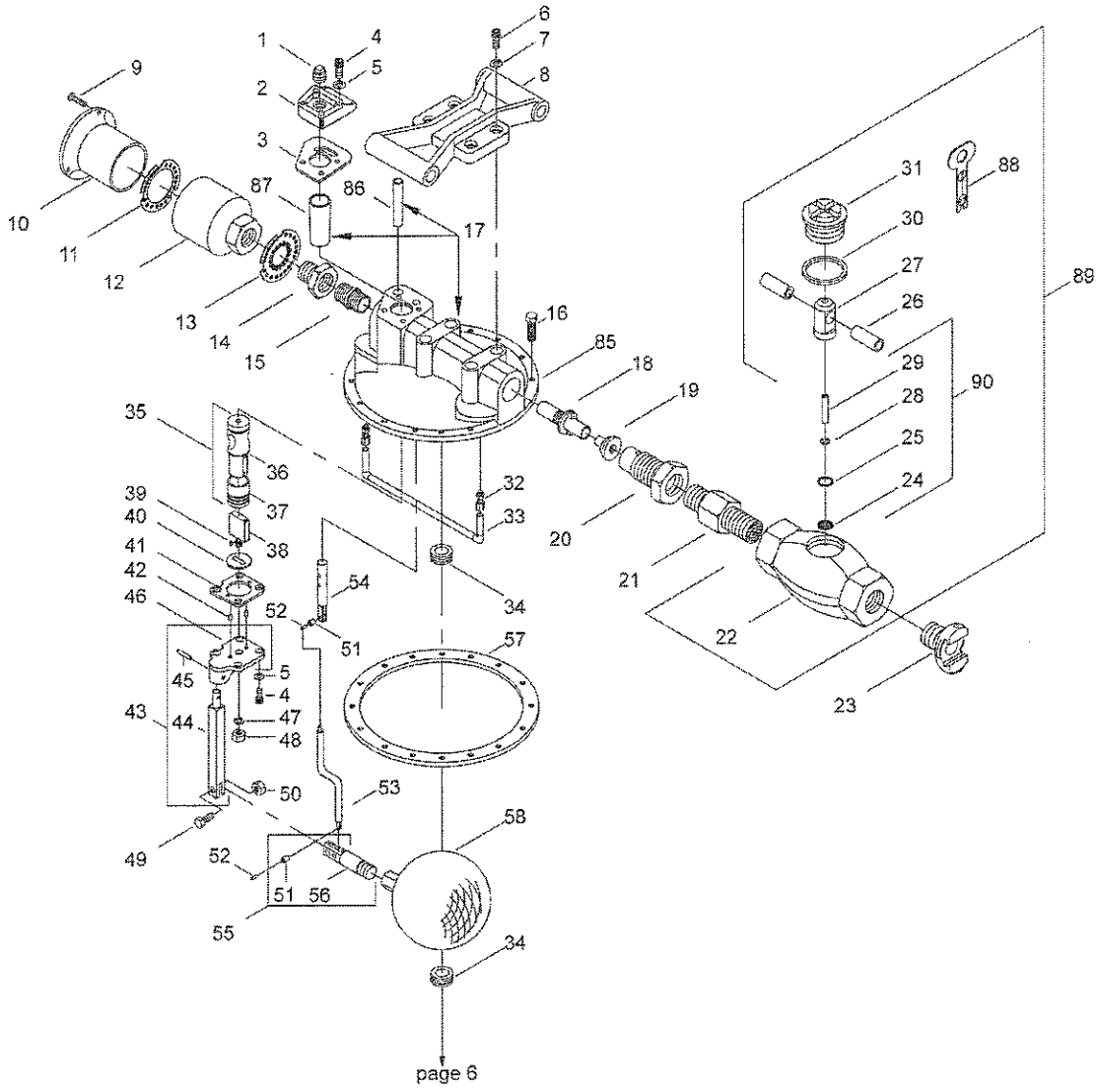
CP 0077 Sludge pump



Crowder Supply Co., Inc. 8495 Roslyn St Commerce City, CO 80022 (303) 433-5144 FAX: (303) 433-3928 Toll Free: (888) 883-5144 www.crowdersupply.com

www.cp.com

 Chicago
Pneumatic





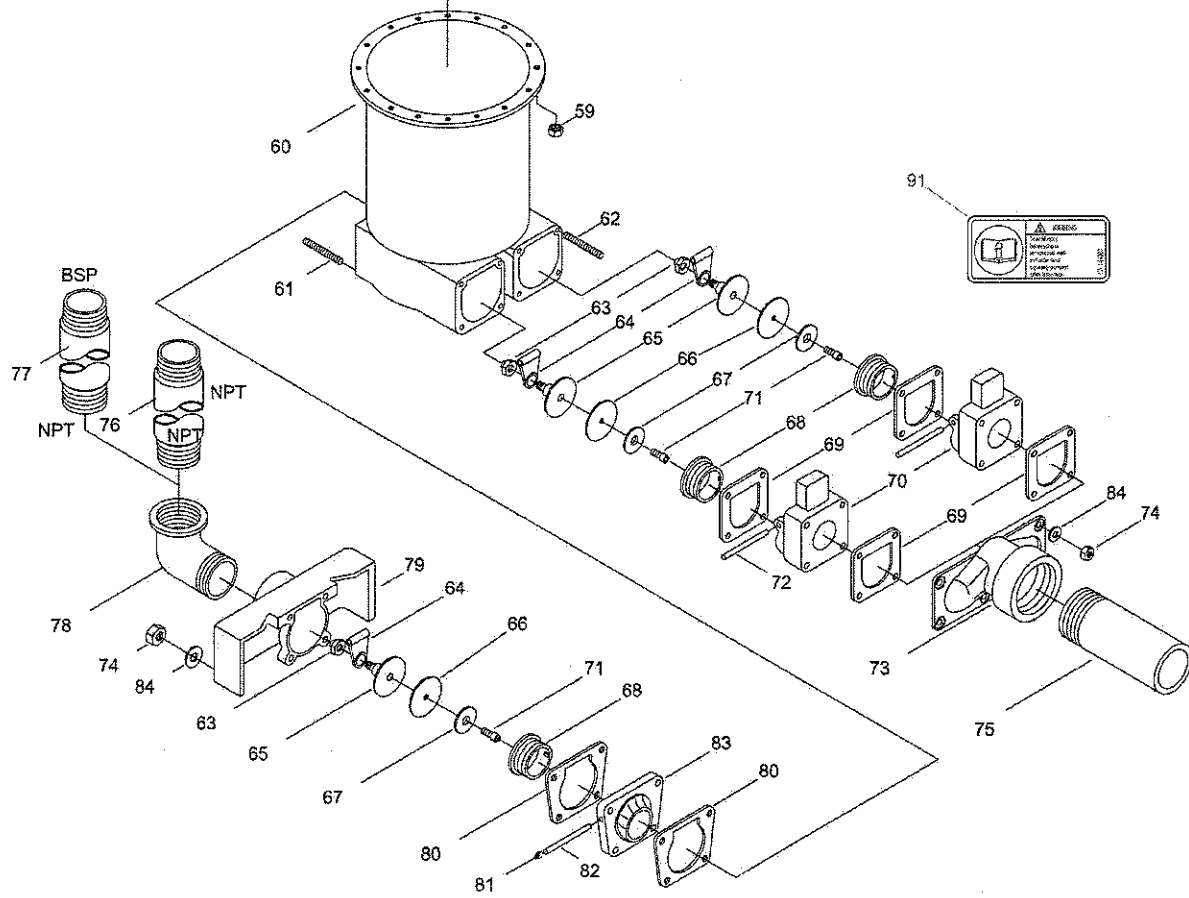
No.	Ordering No.	Quantity	Description
1	P146962	1	Plug
2	C065317	1	Upper cylinder cap
3	C065345	1	Upper cylinder gasket
4	C065380	8	Screw
5	C065384	8	Spring washer
6	P146964	4	Socket head screw
7	C011070	4	Spring washer
8	F026750	1	Grip handle
9	P146960	3	Counter sunk screw
10	C060009	1	Baffle shell
11	C060029	1	Outer plate
12	C060008	1	Muffler shell
13	C060024	1	Inner plate
14	HC63662	1	Reducing bushing
15	C066209	1	Barrel nipple
16	P146968	16	Cap screw
17	C065321	1	Top cover complete (Includes Item No. 85, 86 & 87)
18	C065339	1	Ejector tube
19	C065341	1	Ejector nozzle
20	C065340	1	Nozzle pilot plug
21	F011117	1	Nipple
22	—*)	1	Body for oiler
23	P146991	1	Claw coupling
24	—*)	1	Oil spray gauze
25	—*)	1	Distance washer
26	F009027	2	Rocker pivot
27	—*)	1	Oil sprayer rocker
28	—*)	1	Oil sprayer regulator
29	—*)	1	Oil sprayer
30	F009031	1	Cap washer for oiler body
31	F009030	1	Cap for oiler body
32	P146961	2	Male adaptor
33	C065343	1	Control valve Pipe
34	F027443	2	Rubber buffer
35	C065347	1	Ejector valve complete (Includes item No. 36 & 37)
36	—*)	1	Ejector valve
37	—*)	1	Ejector valve sleeve
38	C065338	1	Ejector valve locator
39	S018822	1	Woodruff key
40	C065663	1	Gasket - ejector
41	C065344	1	Lower cylinder gasket
42	S013277	2	Dowel pin
43	C065353	1	Float arm support complete (Includes item No. 44, 45 & 46)
44	—*)	1	Float arm support
45	—*)	1	Pin
46	—*)	1	Float arm support bracket

—*) Not delivered separately

Item No. 88, 89 and 90 are presented in the table on page 7



page 4





No.	Ordering No.	Quantity	Description
47	P146990	1	Spring washer
48	P146963	1	Nut
49	C065333	1	Bolt
50	M050501	1	Lock nut
51	C065330	2	Lever arm bushing
52	P146966	2	Lever arm pin
53	C065356	1	Lever arm
54	C065358	1	Control valve
55	P146965	1	Float arm assembly (Includes item No. 51 & 56)
56	—*)	1	Float arm
57	C065060	1	Gasket cover
58	C065071	1	Float
59	M050502	16	Lock nut
60	F026962	1	Pump body & check valve assembly
61	C065361	4	Studs
62	F026960	8	Studs for inlet - casting
63	C065785	3	Check valve nut
64	C065786	3	Check valve arm
65	F812889	3	Check valve plate
66	F812853	3	Check valve disc.
67	F812888	3	Check valve washer
68	C065315	3	Check valve bushing
69	C065334	4	Inlet gasket
70	F026923	2	Check valve seat
71	P146967	3	Socket head screw
72	C065336	2	Hinge pin
73	F027761	1	Inlet manifold
74	C036639	12	Hex - nut
75	F027762	1	Nipple
76	R146385	1	Nipple (NPT - NPT)
77	R146384	1	Nipple (NPT - BSP) loose
78	R146383	1	Street elbow
79	F026957	1	Outlet casting
80	C065342	2	Outlet - gasket
81	F033376	1	Pipe plug
82	F026961	1	Hinge pin
83	F026943	1	Outlet valve seat
84	C035166	12	Washer
85	—*)	1	Top cover
86	—*)	1	Control valve bushing
87	—*)	1	Ejector valve bushing
88	F009056	1	Key for sprayer
89	Z9601465	1	Oiler complete (Includes item No. 22, 24, 25, 26, 27, 28, 29, 30, 31 & 88)
90	Z9627465	1	Rocker & sprayer complete (Includes item No. 24, 25, 28 & 29)
91	CA144007	1	Safety label

—*) Not delivered separately