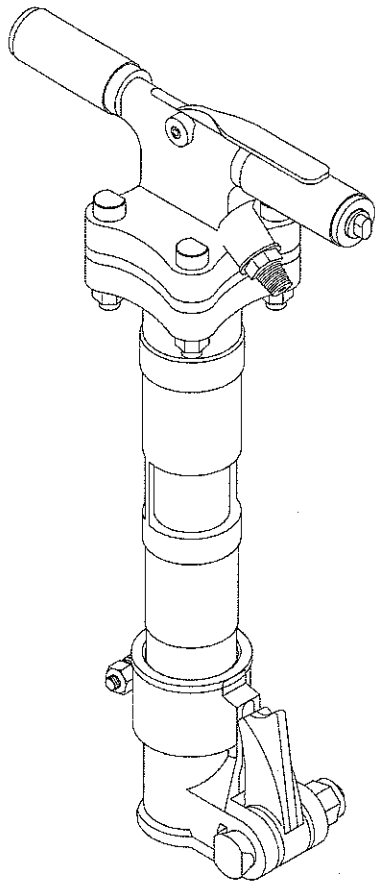


Spare Parts List

CP 0111 Demolition Tool



www.cp.com



GENERAL INFORMATION

Welcome! Protect your investment in the world's finest air tools. Use genuine CP replacement parts.

The purchase of replacement parts for your CP tools deserves the same good judgment that resulted in the buying of the tools themselves. Each genuine CP part is made from carefully selected and inspected material, subjected to sophisticated machinery and finishing processes and heat-treated to produce just the right combination of hardness, ductility and impact resistance for its intended use. All parts are manufactured concurrently with those used in production tools, and are identical to them. The use of parts other than genuine CP replacement parts can lead to substandard performance, early failure, possible damage of other parts and, in some instances, unsafe conditions.

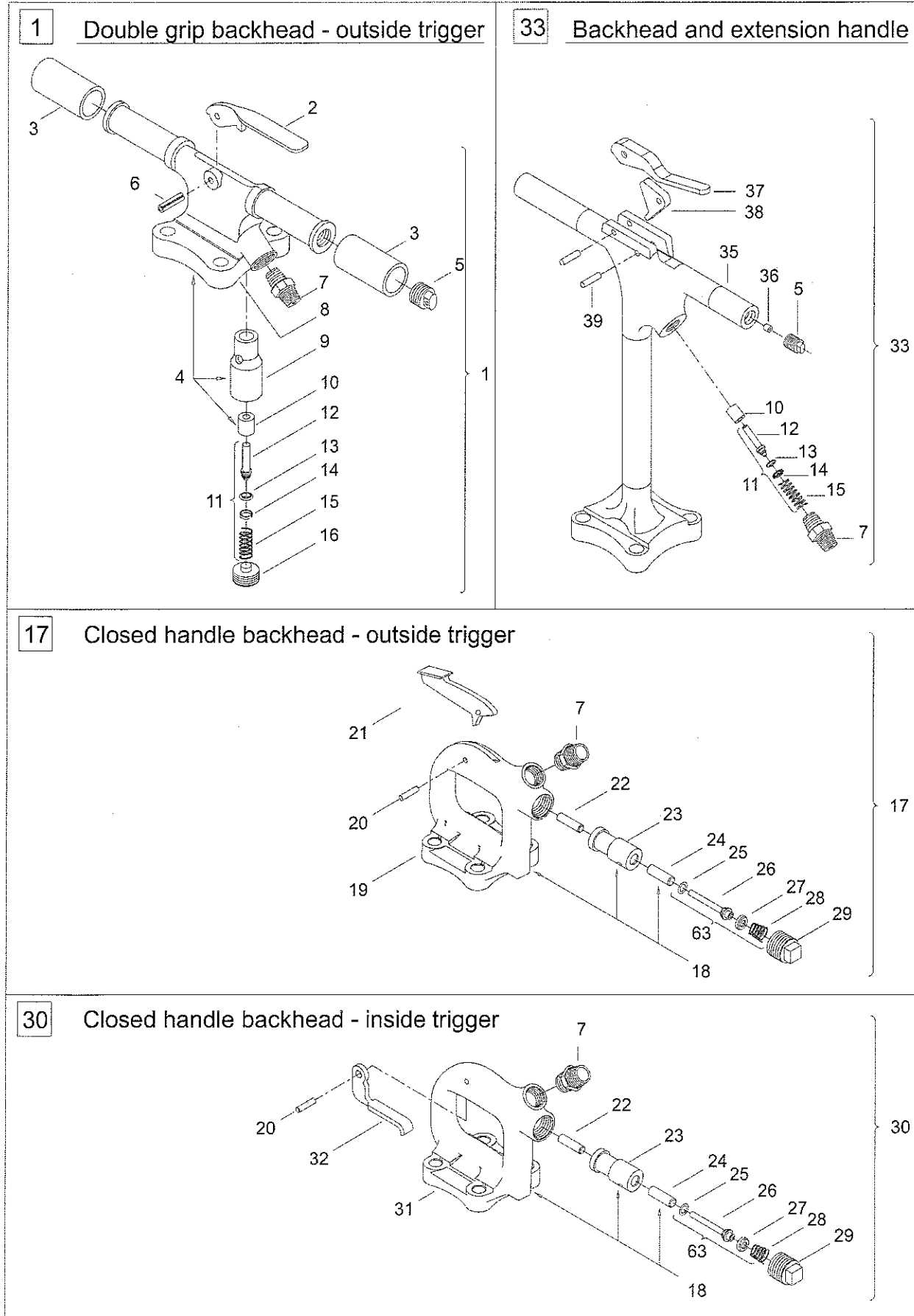
To reduce the risk of injury, read and understand the Operating Instructions manual and the percussion tool safety instructions before operating the tool.

CP 0111 is a pneumatic tool designed for light demolition in construction applications.

This tool is also suited for trenching, tunneling, lateral and overhead work.

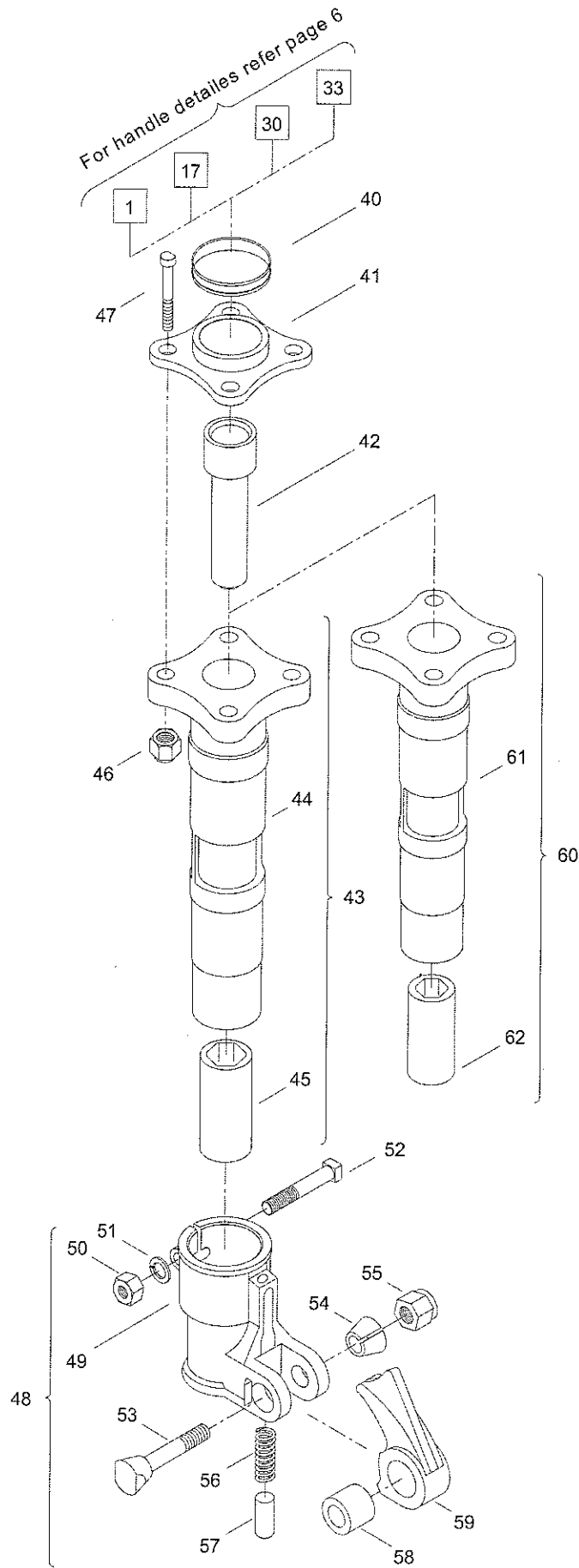
EXPLODED VIEW CP 0111 BACKHEADS

CROWDER SUPPLY CO, INC. - 8495 ROSLYN ST. - COMMERCE CITY, CO 80022 - TOLL FREE 888-883-5144 - www.crowdersupply.com



Ref. No.	Ordering No.	Qty.	Description
1			Backhead (Double grip) complete (Includes item Nos. 2, 3, 5, 6, 7, 8, 9, 10, 12, 13, 14, 15 & 16)
2	R070110	1	Lever - Throttle valve
3	R005716	2	Handle - Rubber
4	R070105		Backhead (Double grip) (Includes item Nos. 8, 9 & 10)
5	R000560	1	Plug - Oil
6	R133433	1	Pin -Trigger
7	R075227	1	Nipple - Air inlet
8		1	Backhead
9	R070106	1	Bushing - Throttle valve
10	R070109	1	Bushing - Throttle valve stem
11	R045370	1	Valve - Throttle (Includes item No.12, 13, 14 & 15)
12		1	Valve - Throttle
13		1	Seal - Valve
14		1	Retainer - Seal
15		1	Spring - Throttle valve
16	R070108	1	Plug - Throttle valve bushing
17			Backhead complete - Outside trigger (Includes item No. 7, 19, 20, 21, 22, 23, 24, 25, 26, 27, 28 & 29)
18	R070114	1	Backhead (Includes item No. 19, 23 & 24)
19		1	Backhead
20	A043627	1	Pin - Lever
21	P003070	1	Lever - Throttle valve
22	P005156	1	Pin - Push
23	P005154	1	Bushing - Throttle valve
24	P005157	1	Bushing - Push pin
25		1	O-ring
26		1	Valve - Throttle
27		1	Retainer - O-ring
28		1	Spring - Throttle
29	P001884	1	Plug - Throttle valve
30			Backhead complete - Inside trigger (Includes item No. 7, 20,22, 23, 24, 25, 26, 27, 28, 29 ,31& 32)
31		1	Backhead
32	R093103	1	Lever - Throttle valve
33	R079043		Backhead and Extension handle complete (Includes item No. 5, 7, 10, 12, 13, 14, 15, 35, 36, 37, 38 & 39)
35		1	Handle - Extension
36	R004976	1	Plug - Oil regulating
37	P001903	1	Lever - Throttle valve
38	R085220	1	Cam - Lever
39	P001921	2	Pin - Lever
63	Z8249416	1	Throttle valve complete (Includes item No. 25, 26, 27 & 28)

EXPLODED VIEW CP 0111



CROWDER SUPPLY CO, INC.- 8495 ROSLYN ST.- COMMERCE CITY, CO 80022 - TOLL FREE 888-883-5144 - www.crowdersupply.com

Ref. No.	Ordering No.	Qty.	Description
40	R070103	1	Valve
41	R070104	1	Block - Valve
42	R070102	1	Piston
43		1	Cylinder (Includes item No. 44 & 45)
44		1	Cylinder
45	R070112	1	Bushing - Chuck (1" Hex x 4 1/4")
46	P006099	4	Nut - Backhead bolt (9/16"-18)
47	R070111	4	Bolt - Backhead (9/16" - 18)
48	R092500	1	Latch type retainer (Includes item No.49, 50, 51, 52, 53, 54, 55, 56, 57, 58 & 59)
49		1	Head - Latch retainer
50	R000555	1	Nut - Head latch (1/2" - 13)
51	C036717	1	Lockwasher - Head latch
52	P002123	1	Bolt - Head latch (1/2" - 13 x 2 3/4")
53	R092498	1	Bolt - Latch retainer (5/8"-18 x 3 1/2")
54	R092499	1	Bushing - Latch retainer bolt
55	P081091	1	Nut - Latch retainer (5/8" - 1.8)
56	R086982	1	Spring - Latch retainer plunger
57	R092497	1	Plunger - Latch retainer
58	R048540	1	Bushing - Latch retainer
59	R092493	1	Retainer - Latch
60		1	Cylinder (Includes item No. 61 & 62)
61		1	Cylinder
62	F813919	1	Bushing - Chuck (7/8" Hex x 3 1/4")