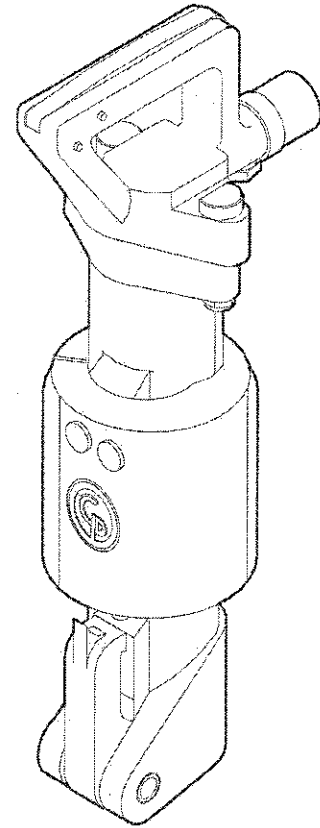




**Chicago  
Pneumatic**

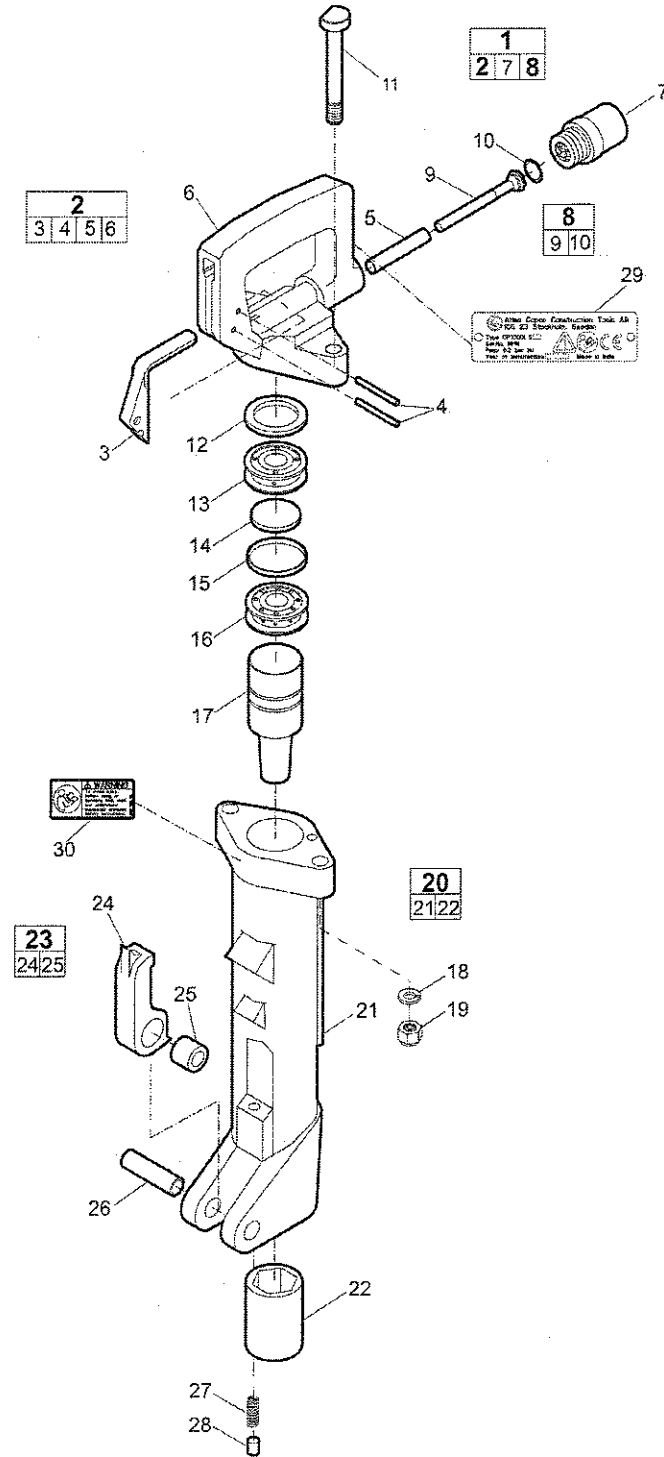
## **Spare parts list**

**Handheld pneumatic pick hammers  
CP 0222 CHIT, CP 0222 CHIT BS, CP 0222 CHOT BS**



# Spare parts list

## CP 0222 CHIT



Crowder Supply Co, Inc. 8495 Roslyn St Commerce City, CO 80022 (303) 433-5144 FAX: (303) 433-3928 Toll Free: (888) 883-5144 www.crowdersupply.com

No.	Description	Remark	Quantity	Part number
1(2,7,8)	Trigger handle, complete		1	F815852
2(3-6)	Handle, complete		1	F815276
3	Lever		1	F815167
4	Pin - Throttle lever		2	R133757
5	Bush		1	F813910
6	Handle		1	-
7	Nipple - Air inlet	½ in. NPTF x 14 TPI	1	F814130
8(9-10)	Valve - Throttle, complete		1	F814812
9	Valve - Throttle		1	-
10	O-ring		1	P083071
11	Bolt - Handle		2	F813911
12	Pad - Valve case preload		1	F813908
13	Lid - Upper valve case		1	F814774
14	Valve		1	F012659
15	Case - Valve		1	F814776
16	Lid - Lower valve case		1	F814775
17	Piston		1	F815015
18	Lock washer	¾ in. 15.9 mm	2	R000550
19	Nut - Self locking	¾ in. - 18 UNF - 3B	2	P081091
20(21-22)	Cylinder, complete		1	F815268
21	Cylinder		1	-
22	Bushing - Tool		1	F813919
23(24-25)	Retainer - Latch, complete		1	F815269
24	Retainer - Latch		1	-
25	Bushing - Latch		1	F815174
26	Pin - Latch Retainer	Ø ¼ in. x 2½ in. Ø 12.70 x 63.50 mm	2	R133758
27	Spring - Retainer latch plunger		1	R086982
28	Plunger - Latch		1	F813308
29	Data plate		1	-
30	Safety label		1	3310 1602 00

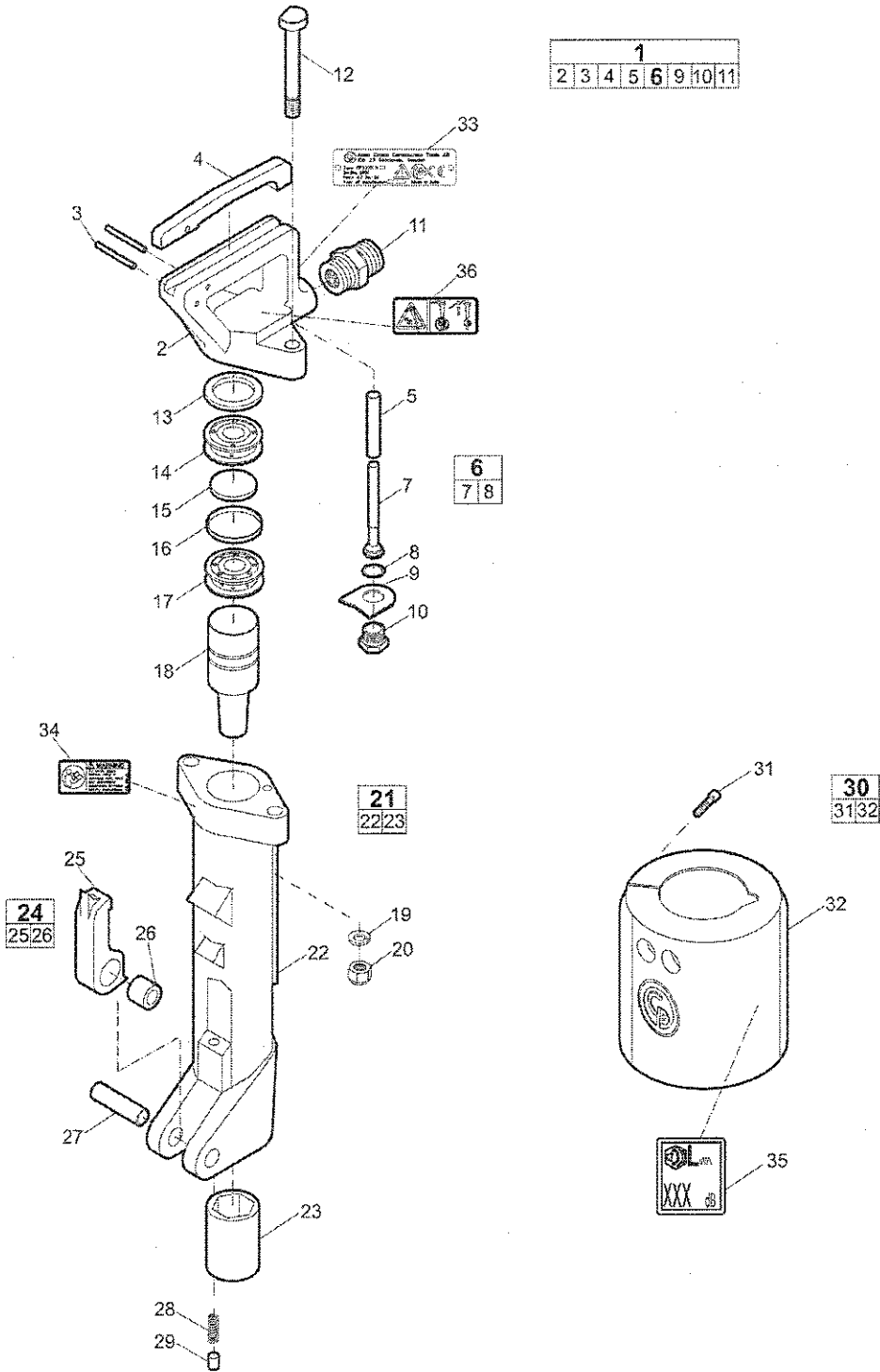
Crowder Supply Co., Inc. 8495 Roslyn St Commerce City, CO 80022 (303) 433-3928 FAX: (303) 433-5144 Toll Free: (888) 883-5144 www.crowdersupply.com



No.	Description	Remark	Quantity	Part number
1(2,7,8)	Trigger handle, complete		1	F815852
2(3-6)	Handle, complete		1	F815276
3	Lever		1	F815167
4	Pin - Throttle lever		2	R133757
5	Bush		1	F813910
6	Handle		1	-
7	Nipple - Air inlet	¼ in. BSP x 14 TPI	1	F035769
8(9-10)	Valve - Throttle, complete		1	F814812
9	Valve - Throttle		1	-
10	O-ring		1	P083071
11	Bolt - Handle		2	F813911
12	Pad - Valve case preload		1	F813908
13	Lid - Upper valve case		1	F814774
14	Valve		1	F012659
15	Case - Valve		1	F814776
16	Lid - Lower valve case		1	F814775
17	Piston		1	F815015
18	Lock washer	½ in. 15.9 mm	2	R000550
19	Nut - Self locking	⅝ in. - 18 UNF - 3B	2	P081091
20(21-22)	Cylinder, complete		1	F815268
21	Cylinder		1	-
22	Sleeve - Tool		1	F813919
23(24-25)	Retainer - Latch, complete		1	F815269
24	Retainer - Latch		1	-
25	Bushing - Latch		1	F815174
26	Pin - Latch Retainer	Ø ½ in. x 2½ in. Ø 12.70 x 63.50 mm	2	R133758
27	Spring - Retainer latch plunger		1	R086982
28	Plunger - Latch		1	F813308
29(30-31)	Muffler, complete		1	R141765
30	Screw - Hexagon socket	¼ in. UNF x 28 TPI	4	P072446
31	Muffler		1	-
32	Noise level label		1	-
33	Data plate		1	-
34	Safety label		1	3310 1602.00

Crowder Supply Co, Inc. 8495 Roslyn St Commerce City, CO 80022 (303) 433-3928 FAX: (303) 433-5144 Toll Free: (888) 883-5144 www.crowdersupply.com

**CP 0222 CHOT BS**



Crowder Supply Co, Inc. 8495 Roslyn St Commerce City, CO 80022 (303) 433-5144 FAX: (303) 433-3928 Toll Free: (888) 883-5144 www.crowdersupply.com

No.	Description	Remark	Quantity	Part number
1(2-5,6,9-11)	Trigger handle, complete		1	F815271
2	Handle		1	-
3	Pin - Throttle lever		2	R133757
4	Lever		1	F815161
5	Bush		1	F813910
6(7-8)	Valve - Throttle, complete		1	F814812
7	Valve - Throttle		1	-
8	O-ring		1	P083071
9	Washer - Tab		1	F814582
10	Plug - Throttle valve		1	P814440
11	Nipple - Air inlet	¼ in. BSP x 14 TPI	1	F035769
12	Bolt - Handle		2	F813911
13	Pad - Valve case preload		1	F813908
14	Lid - Upper valve case		1	F814774
15	Valve		1	F012659
16	Case - Valve		1	F814776
17	Lid - Lower valve case		1	F814775
18	Piston		1	F815015
19	Lock washer	¼ in. 15.9 mm	2	R000550
20	Nut - Self locking	¾ in. - UNF - 3B	2	P081091
21(22-23)	Cylinder, complete		1	F815268
22	Cylinder		1	-
23	Sleeve - Tool		1	F813919
24(25-26)	Retainer - Latch, complete		1	F815269
25	Retainer - Latch		1	-
26	Bushing - Latch		1	F815174
27	Pin - Latch Retainer	Ø ½ in. x 2½ in. Ø 12.70 x 63.50 mm	2	R133758
28	Spring - Retainer latch plunger		1	R086982
29	Plunger - Latch		1	F813308
30(31-32)	Muffler, complete		1	R141765
31	Screw - Hexagon socket	¼ in. x 28 TPI	4	P072446
32	Muffler		1	-
33	Data plate		1	-
34	Safety label		1	3310 1602 00
35	Noise level label		1	-
36	Eject warning label		1	3310 1572 00

Crowder Supply Co. Inc. 8495 Roslyn St Commerce City, CO 80022 (303) 433-5144 FAX: (303) 433-3928 Toll Free: (888) 883-5144 www.crowdersupply.com

## Accessories

### Hose rolls

#### Metric

Description	Inner diameter (mm)	Thickness (mm)	Maximum working pressure (bar)	Length of roll (m)	Weight (kg)	Part number
Red-X hose roll	19	2.0	20	60	11	8900 0050 10
Red-X hose roll	19	2.0	20	100	18	8900 0050 11
Red-X hose roll	19	2.0	20	200	36	8900 0050 12
Red-X hose roll	25	2.5	20	60	15	8900 0050 20
Red-X hose roll	25	2.5	20	100	25	8900 0050 21
Red-X hose roll	25	2.5	20	200	50	8900 0050 22

#### Imperial

Description	Inner diameter (in.)	Thickness (in.)	Maximum working pressure (psi)	Length of roll (ft)	Weight (lb)	Part number
Red-X hose roll	¾	¼	290	195	24.3	8900 0050 10
Red-X hose roll	¾	¼	290	325	39.7	8900 0050 11
Red-X hose roll	¾	¼	290	650	79.4	8900 0050 12
Red-X hose roll	1	⅜	290	195	33.1	8900 0050 20
Red-X hose roll	1	⅜	290	325	55.1	8900 0050 21
Red-X hose roll	1	⅜	290	650	110.2	8900 0050 22

### Pre-mounted universal hoses with claw couplings

#### Metric

Description	Inner diameter (mm)	Thickness (mm)	Maximum working pressure (bar)	Length of roll (m)	Weight (kg)	Part number
Red-X universal hose	19	2.0	20	20	4.5	8900 0050 09
Red-X universal hose	25	2.5	20	20	6.0	8900 0050 23

#### Imperial

Description	Inner diameter (in.)	Thickness (in.)	Maximum working pressure (psi)	Length of roll (ft)	Weight (lb)	Part number
Red-X universal hose	¾	¼	290	50	8.8	8900 0050 08
Red-X universal hose	1	⅜	290	50	11.0	8900 0050 24

## Water separator

### Metric

Description	Hose connection (mm)	Air flow (l/s)	Weight (kg)	Part number
Water separator (3/4 in. BSP)	20	61	0.8	8900 0050 00

### Imperial

Description	Hose connection (in.)	Air flow (foot <sup>3</sup> /min)	Weight (lb)	Part number
Water separator (3/4 in. NPT)	3/4	130	1.8	8900 0050 01

## Lubricator

### Metric

Description	Hose connection (mm)	Air flow (l/s)	Oil volume (l)	Weight (kg)	Part number
Lubricator 1300 (1 in. BSP)	25	15-140	1.3	3	8900 0050 02

### Imperial

Description	Hose connection (in.)	Air flow (foot <sup>3</sup> /min)	Oil volume (US gallon)	Weight (lb)	Part number
Lubricator 43 (1 in. NPT)	1	32-300	0.34	6.6	8900 0050 07

## CP airolene plus tool oil

### Metric

Description	Oil volume (l)	Part number
5 l container	5	8099 0202 49
4 x 5 l container	20	8099 0202 51

### Imperial

Description	Oil volume (US gallon)	Part number
1.32 US gallon container	1.32	8099 0202 49
4 x 1.32 US gallon container	5.28	8099 0202 51