

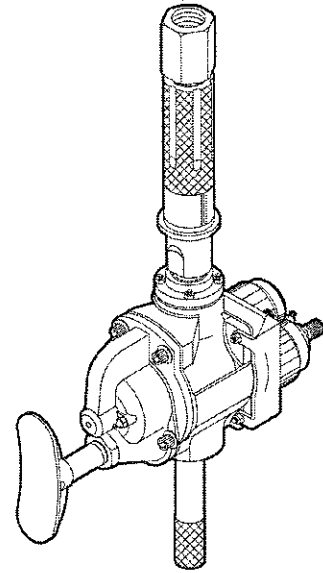


**Chicago
Pneumatic**

Crowder Supply Co, Inc. 8495 Roslyn St Commerce City, CO 80022 (303) 433-5144 FAX: (303) 433-3928 Toll Free: (888) 883-5144 www.crowdersupply.com

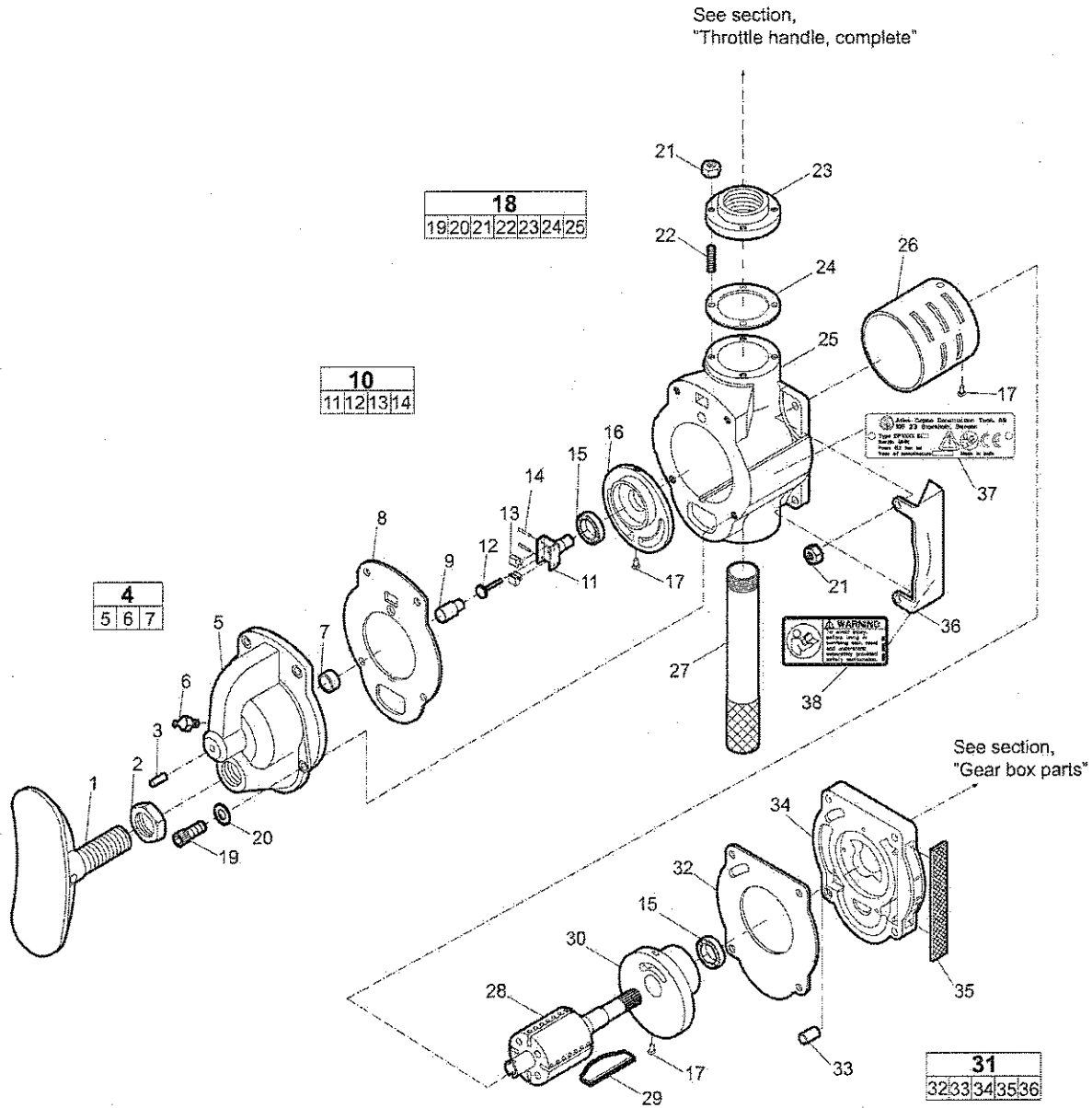
Spare parts list

**Core drills
CP 0315**



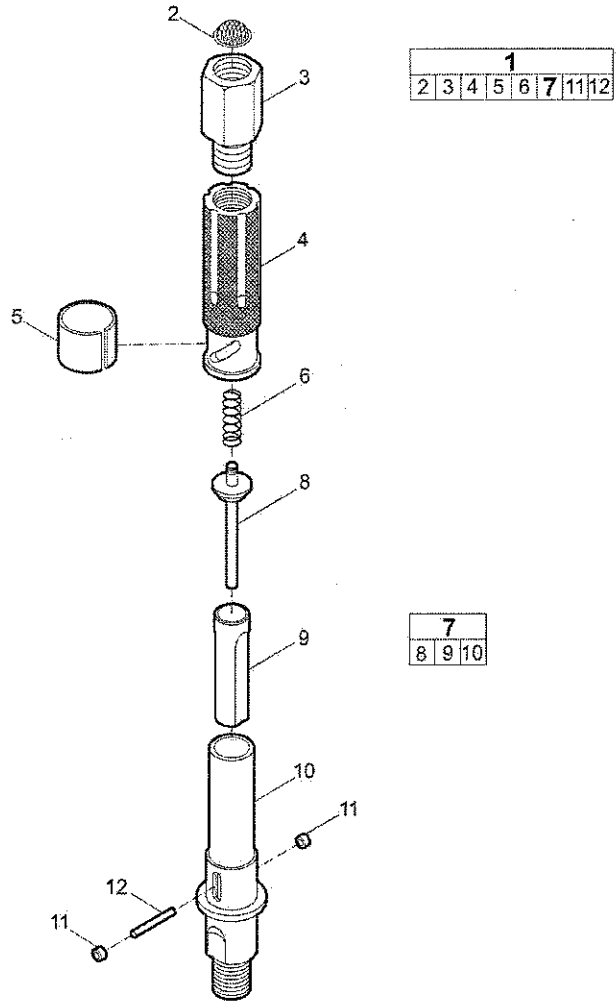
Spare parts list

CP 0315 (Body)



No.	Description	Remark	Quantity	Part number
1	Breast plate and stud		1	S002114
2	Nut - Lock		1	C037056
3	Pin - Governor stop		1	C037062
4(5-7)	Cap - Motor housing, complete		1	C037119
5	Cap - Motor housing		1	-
6	Fitting - Grease		1	S021215
7	Bushing - Governor		1	C038728
8	Gasket		1	C038197
9	Plunger - Governor		1	C037064
10(11-14)	Governor body, complete		1	C035538
11	Body - Governor		1	-
12	Pin - Governor		1	C035102
13	Weight - Governor		2	C035105
14	Pin - Governor weight		2	C035104
15	Bearing - Ball		2	C063585
16	Plate - Upper end		1	C037052
17	Dowel - Liner		3	C036875
18(19-25)	Housing - Motor, complete		1	C122074
19	Screw - Cap		4	C064806
20	Lockwasher		4	C012058
21	Nut - Stop	¼ in. - 28	8	C037118
22	Stud - Handle		4	C037154
23	Adapter - Handle		1	C038944
24	Gasket - Handle		1	C069935
25	Housing - Motor		1	-
26	Liner		1	C037066
27	Handle - Dead		1	C012146
28	Rotor	8 teeth	1	C037058
29	Blade - Rotor		4	C037067
30	Plate - Lower end		1	C037053
31(32-36)	Plate - Transfer, complete		1	C037120
32	Gasket		1	C038199
33	Dowel - Tube		1	C037073
34	Plate - Transfer		1	-
35	Diffuser - Exhaust		1	C122061
36	Deflector - Exhaust		1	C122062
37	Data plate		1	-
38	Safety label		1	3310 1602 00

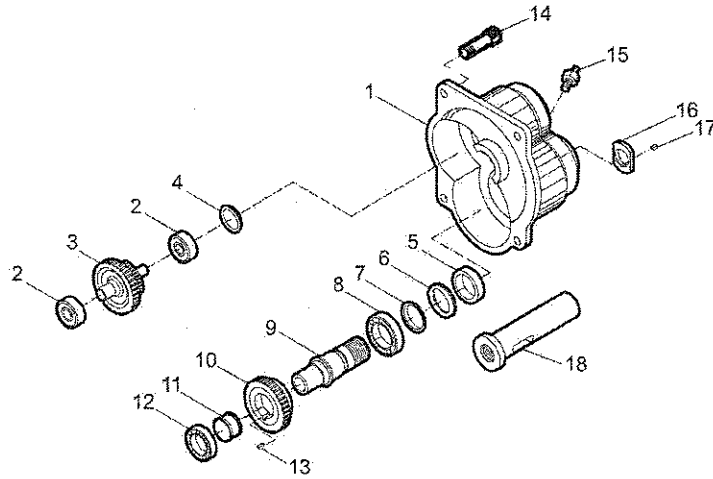
CP 0315 (Throttle handle, complete)



Crowder Supply Co, Inc. 8495 Roslyn St Commerce City, CO 80022 (303) 433-5144 FAX: (303) 433-3928 Toll Free: (888) 883-5144 www.crowdersupply.com

No.	Description	Remark	Quantity	Part number
1(2-6,7,11-12)	Throttle handle, complete		1	C035461
2	Screen - Air		1	C036909
3	Cap - Throttle		1	C035781
4	Sleeve - Throttle		1	C035569
5	Protector - Throttle roller		1	C035574
6	Spring - Throttle		1	C035782
7(8-10)	Stem - Throttle, complete		1	C035563
8	Valve - Throttle		1	C034054
9	Bushing		1	-
10	Stem - Throttle		1	-
11	Roller - Throttle stem		2	C034056
12	Pin - Throttle stem roller		1	C034066

CP 0315 (Gear box parts)



Crowder Supply Co, Inc. 8495 Roslyn St Commerce City, CO 80022 (303) 433-5144 FAX: (303) 433-3928 Toll Free: (888) 883-5144 www.crowdersupply.com

No.	Description	Remark	Quantity	Part number
1	Case - Gear		1	C037049
2	Bearing - Ball		2	S025102
3	Gear and Pinion	20 and 36 teeth	1	C037080
4	Plug - Bearing knockout		1	S035334
5	Washer - Bearing felt		1	S037114
6	Retainer - Felt washer		1	S037113
7	Spacer		1	M3609606
8	Bearing - Ball		1	S037117
9	Spindle		1	C037057
10	Gear - Spindle	36 teeth	1	C037076
11	Collar - Spindle spacer		1	C037068
12	Bearing - Ball		1	C036769
13	Key - Woodruff		1	S005907
14	Bolt - Gear case		4	C037074
15	Fitting - Grease		1	S021215
16	Collar - Spindle		1	C037065
17	Key - Woodruff		1	S003629
18	Morse taper adaptor	Optional	1	C013048

Accessories

Hose rolls

Metric

Description	Inner diameter (mm)	Thickness (mm)	Maximum working pressure (bar)	Length of roll (m)	Weight (kg)	Part number
Red-X hose roll	19	2.0	20	60	11	8900 0050 10
Red-X hose roll	19	2.0	20	100	18	8900 0050 11
Red-X hose roll	19	2.0	20	200	36	8900 0050 12
Red-X hose roll	25	2.5	20	60	15	8900 0050 20
Red-X hose roll	25	2.5	20	100	25	8900 0050 21
Red-X hose roll	25	2.5	20	200	50	8900 0050 22

Imperial

Description	Inner diameter (in.)	Thickness (in.)	Maximum working pressure (psi)	Length of roll (ft)	Weight (lb)	Part number
Red-X hose roll	¾	¼	290	195	24.3	8900 0050 10
Red-X hose roll	¾	¼	290	325	39.7	8900 0050 11
Red-X hose roll	¾	¼	290	650	79.4	8900 0050 12
Red-X hose roll	1	⅜	290	195	33.1	8900 0050 20
Red-X hose roll	1	⅜	290	325	55.1	8900 0050 21
Red-X hose roll	1	⅜	290	650	110.2	8900 0050 22

Pre-mounted universal hoses with claw couplings

Metric

Description	Inner diameter (mm)	Thickness (mm)	Maximum working pressure (bar)	Length of roll (m)	Weight (kg)	Part number
Red-X universal hose	19	2.0	20	20	4.5	8900 0050 09
Red-X universal hose	25	2.5	20	20	6.0	8900 0050 23

Imperial

Description	Inner diameter (in.)	Thickness (in.)	Maximum working pressure (psi)	Length of roll (ft)	Weight (lb)	Part number
Red-X universal hose	¾	¼	290	50	8.8	8900 0050 08
Red-X universal hose	1	⅜	290	50	11.0	8900 0050 24

Water separator

Metric

Description	Hose connection (mm)	Air flow (l/s)	Weight (kg)	Part number
Water separator (¾ in. BSP)	20	61	0.8	8900 0050 00

Imperial

Description	Hose connection (in.)	Air flow (foot ³ /min)	Weight (lb)	Part number
Water separator (¾ in. NPT)	¾	130	1.8	8900 0050 01

Lubricator

Metric

Description	Hose connection (mm)	Air flow (l/s)	Oil volume (l)	Weight (kg)	Part number
Lubricator 1300 (1 in. BSP)	25	15-140	1.3	3	8900 0050 02

Imperial

Description	Hose connection (in.)	Air flow (foot ³ /min)	Oil volume (US gallon)	Weight (lb)	Part number
Lubricator 43 (1 in. NPT)	1	32-300	0.34	6.6	8900 0050 07

CP airolene plus tool oil

Metric

Description	Oil volume (l)	Part number
5 l container	5	8099 0202 49
4 x 5 l container	20	8099 0202 51

Imperial

Description	Oil volume (US gallon)	Part number
1.32 US gallon container	1.32	8099 0202 49
4 x 1.32 US gallon container	5.28	8099 0202 51