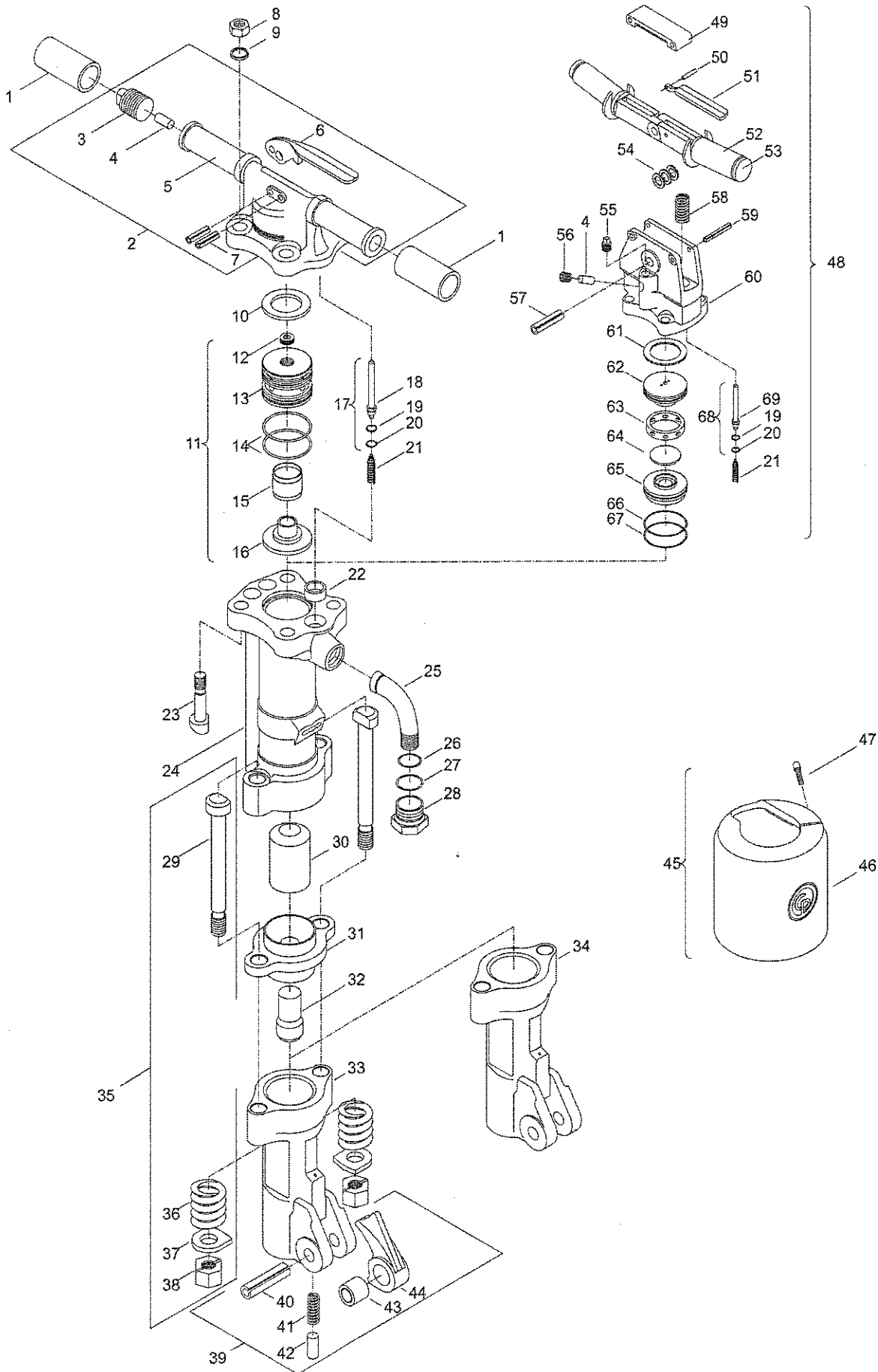


EXPLODED VIEW OF CP 1210 1" S & VRS

CROWDER SUPPLY CO, INC. - 8495 ROSLYN ST. - COMMERCE CITY, CO 80022 - TOLL FREE 888-883-5144 - www.crowdersupply.com



Ref. No.	Ordering No.	Qty.	Description
CP 1210 1" S & VRS			
1	F816345	2	Grip - Rubber
2	F815274	1	Backhead assembly (Includes item No. 3, 4, 5, 6 & 7)
3	R075031	1	Plug - Oil
4	C036901	1	Plug - Oil regulator
5		1	Backhead
6	F814725	1	Lever - Throttle
7	R133433	2	Pin - Spirol
8	R114525	4	Nut - Hex.
9	C065384	4	Lock washer
10	R110209	1	Spacer - Valve case
11	F815071	1	Valve case assembly (Includes item No. 12, 13, 14, 15 & 16)
12	P009876	1	Pug - Pipe
13	R110206	1	Case - Valve
14	R110210	2	O-ring
15	R110208	1	Valve
16	R110207	1	Cover - Valve case
17	R092894	1	Valve - Throttle (Includes item No. 18, 19 & 20)
18		1	Valve - Throttle
19	R098368	1	Seal - Throttle valve
20	R098369	1	Ring - Valve seal retaining
21	R005717	1	Spring - Throttle valve
22	R110215	1	Seal - Cylinder
23	R110214	4	Bolt - Backhead
24		1	Cylinder
25	F814720	1	Swivel - Air inlet
26	C106884	1	O-ring
27	R056605	1	O-ring
28	R075599	1	Nut - Inlet swivel
29	R110217	2	Bolt - Fronthead
30	R110212	1	Piston
31	R110203	1	Bushing - Anvil block
32	R085427	1	Block - Anvil
33	F815719	1	Fronthead (for UK)
34	F815478	1	Fronthead (for USA)
35	3303 0050 44	1	Side bolt kit, includes one pair of complete bolt assembly (Item No. 29, 36, 37 & 38)
36	R093698	2	Spring - Fronthead
37	R041073	2	Lock - Fronthead nut
38	R110218	2	Nut - Fronthead bolt
39	3303 0050 43	1	Latch kit (Includes item No.40, 41, 42, 43, 44, 45 & 46)
40	0108 1103 04	1	Pin - Roll
41	R086982	1	Spring - Plunger
42	R092497	1	Plunger - Latch
43	R048540	1	Bushing - Retainer latch
44	R092493	1	Latch - Retainer
45	F814928	1	Muffler complete (Includes item No. 46 & 47)
46		1	Muffler
47	R117415	3	Screw - Allen cap
48	R145777	1	Backhead assembly (Includes item No. 49 to 69 & 4,19, 20 & 21)
49	R157669	1	Cover - Buffer
50	R145866	1	Pin - Lever
51	R145781	1	Lever
52	R145788	2	Grip
53	R146266	2	Handle
54	R145861	3	Steel washer
55	R004975	1	Oil - Plug square head
56	Q3217400	1	Plug
57	0108 1535 00	1	Pin - Roll
58	R145863	2	Spring
59	R157670	2	Pin - Stepped
60	R145783	1	Backhead
61	R147755	1	Gasket
62	R138096	1	Upper valve lid
63	R138095	1	Valve case
64	R138094	1	Valve
65	R145786	1	Lower valve lid
66	C102642	2	O-ring
67	C125868	1	O-ring
68	R145782	1	Throttle valve (Includes item No. 69, 19 & 20)
69		1	Throttle valve