

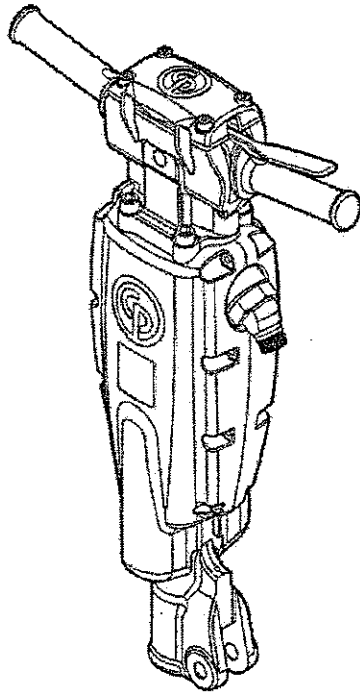


Crowder Supply Co., Inc. 8495 Roslyn St Commerce City, CO 80022 (303) 433-5144 FAX: (303) 433-3928 Toll Free: (888) 883-5144 www.crowdersupply.com

## Spare parts list

CP 1210  
CP 1210 S  
CP 1210 SVR

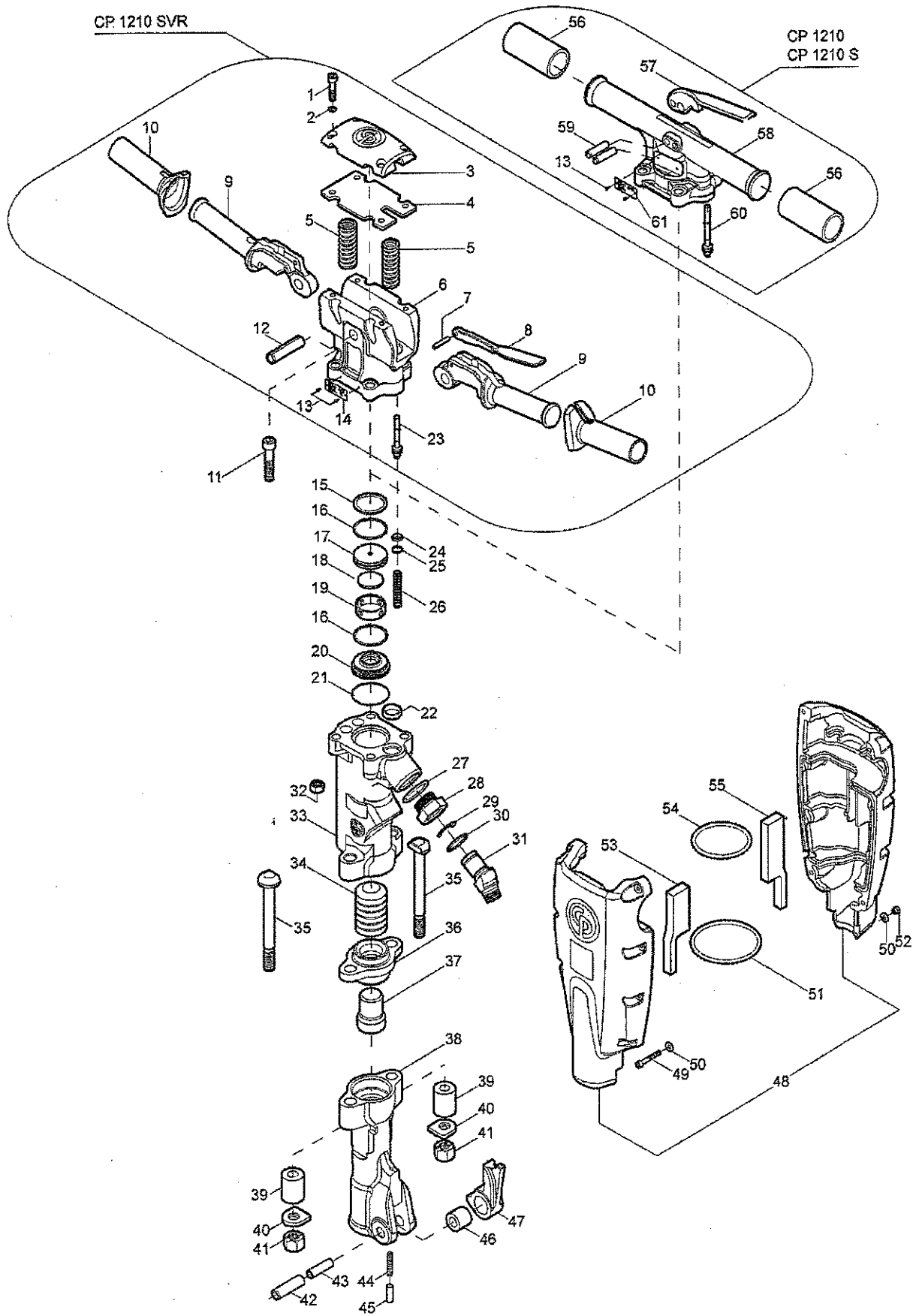
Paving breaker



[www.cp.com](http://www.cp.com)

 Chicago  
Pneumatic

Crowder Supply Co, Inc. 8495 Roslyn St Commerce City, CO 80022 (303) 433-5144 FAX: (303) 433-3928 Toll Free: (888) 883-5144 www.crowdersupply.com





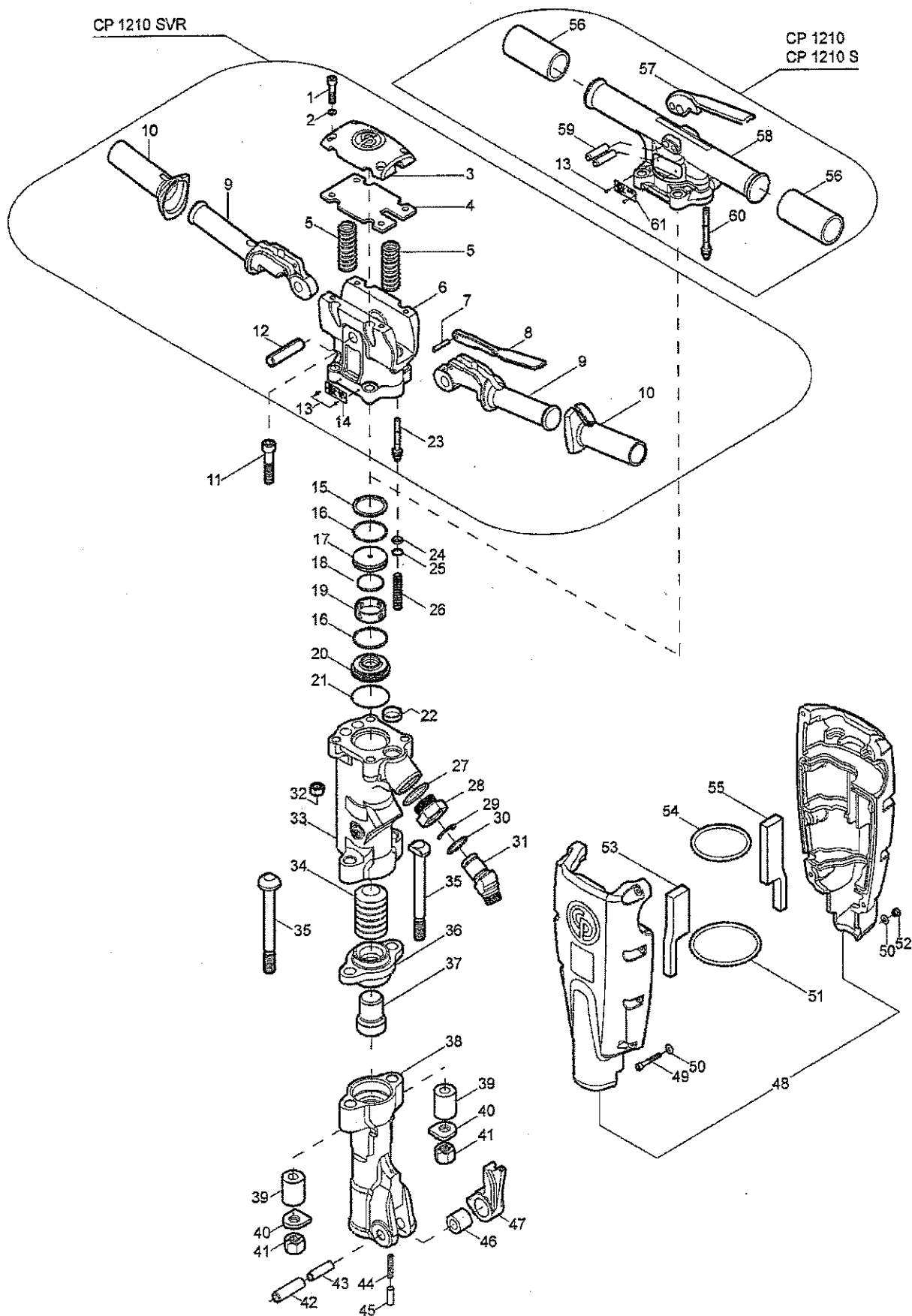
Crowder Supply Co, Inc. 8495 Roslyn St Commerce City, CO 80022 (303) 433-5144 FAX: (303) 433-3928 Toll Free: (888) 883-5144 www.crowdersupply.com

No.	Description	Shank size	Quantity			Ordering No.
			1210	1210 S	1210 SVR	
1	Socket head cap screw (M8)		-	-	4	0211 1962 91
2	Washer - top cover		-	-	4	0301 2335 00
3	Top cover		-	-	1	3303 0050 19
4	Buffer pad assembly		-	-	1	3303 0050 26
5	Spring - handle		-	-	2	3303 0050 25
6	Backhead (vibration reduced)		-	-	1	3303 0050 15
7	Pin - lever		-	-	1	R145 866
8	Lever - throttle		-	-	1	3303 0050 21
9	Handle		-	-	2	3303 0050 17
10	Grip		-	-	2	3303 0050 22
11	Socket head cap screw (M12 x 1.75)		4	4	4	0211 1963 08
12	Roll pin (16 DIA x 65 L)		-	-	1	0108 1535 00
13	Self tapping screw		2	2	2	P081 333
14	Data plate		-	-	1	—*)
15	Gasket		1	1	1	3303 0050 31
16	O-ring		2	2	2	C102 642
17	Upper valve lid		1	1	1	R138 096
18	Valve		1	1	1	R138 094
19	Valve case		1	1	1	R138 095
20	Lower valve case lid		1	1	1	3303 0050 24
21	O-ring		1	1	1	H031 0447
22	Seal - cylinder		1	1	1	R110 215
(23-25)	Throttle valve complete		1	1	1	3303 0050 36
23	Throttle valve		1	1	1	—*)
24	Seal - throttle valve		1	1	1	R098 368
25	Ring - valve seal retaining		1	1	1	R098 369
26	Spring - throttle valve		1	1	1	R005 717
27	O-ring		1	1	1	R056 605
28	Nut - air inlet swivel		1	1	1	3303 0050 13
29	Lock washer - swivel		1	1	1	3310 1059 00
30	O-ring - swivel		1	1	1	0663 2126 00
31	Swivel - air inlet		1	1	1	3303 0050 12

—\*) Not delivered separately



Crowder Supply Co, Inc. 8495 Roslyn St Commerce City, CO 80022 (303) 433-5144 FAX: (303) 433-5144 Toll Free: (888) 883-5144 www.crowdersupply.com



Crowder Supply Co, Inc. 8495 Roslyn St Commerce City, CO 80022 (303) 433-5144 FAX: (303) 433-3928 Toll Free: (888) 883-5144 www.crowdersupply.com

No.	Description	Shank size	Quantity			Ordering No.
			1210	1210 S	1210 SVR	
32	Nut (M12)		4	4	4	3303 0050 30
33	Cylinder		1	1	1	3303 0050 29
34	Piston		1	1	1	R110 212
35	Bolt - fronthead		2	2	2	R110 217
36	Bushing - anvil block	1" (25 mm) US, 1" (25 mm) ISO	1	1	1	R110 203
36	Bushing - anvil block	1 1/8" (28 mm), 1 1/4" (32 mm)	-	1	1	3303 0050 05
37	Block - anvil	1" (25 mm) US, 1" (25 mm) ISO	1	1	1	R085 427
37	Block - anvil	1 1/8" (28 mm), 1 1/4" (32 mm)	-	1	1	3303 0050 06
38	Fronthead for CP 1210, CP 1210 S, CP 1210 SVR	1" (25 mm) US	1	1	1	F815 478
38	Fronthead for CP 1210, CP 1210 S, CP 1210 SVR	1" (25 mm) ISO	1	1	1	F814 719
38	Fronthead for CP 1210 S, CP 1210 SVR	1 1/2" (32 mm)	-	1	1	3303 0050 02
38	Fronthead for CP 1210 S, CP 1210 SVR	1 1/8" (28 mm)	-	1	1	3303 0050 03
39	Spring - steel	1" (25 mm) US, 1" (25 mm) ISO	2	2	2	R093 698
39	Spring - polyurethane	1 1/8" (28 mm), 1 1/4" (32 mm)	-	2	2	3303 0050 33
40	Lock - fronthead nut		2	2	2	R041 073
41	Nut - fronthead bolt		2	2	2	R110 218
42	Roll pin (16 DIA x 55 L)		1	1	1	0108 1103 04
43	Roll pin (10 DIA x 55 L)		1	1	1	0108 1395 00
44	Spring - plunger		1	1	1	R086 982
45	Plunger - latch		1	1	1	R092 497
46	Retainer latch bush		1	1	1	R048 540
47	Retainer - latch		1	1	1	R092 493
(48-55)	Silencer complete		-	1	1	3303 0050 42
48	Silencer		-	1	1	—*)
49	Socket head cap screw (M6 x 1 - 45L)		-	8	8	0211 1253 00
50	Washer		-	16	16	F826 979
51	O-ring - silencer (Bottom)		-	1	1	0663 2146 00
52	Nyloc nut (M6 x 1)		-	8	8	0291 1128 15
53	Sealing pad - silencer (Left)		-	1	1	3303 0050 10
54	O-ring - silencer (Top)		-	1	1	0663 2143 00
55	Sealing pad - silencer (Right)		-	1	1	3303 0050 11
56	Rubber grip		2	2	-	F816 345
57	Lever		1	1	-	F814 725
58	Backhead		1	1	-	3303 0050 00
59	Roll pin		2	2	-	R133 433
60	Throttle valve		1	1	-	F882 246
61	Data plate		1	1	-	—*)

—\*) Not delivered separately