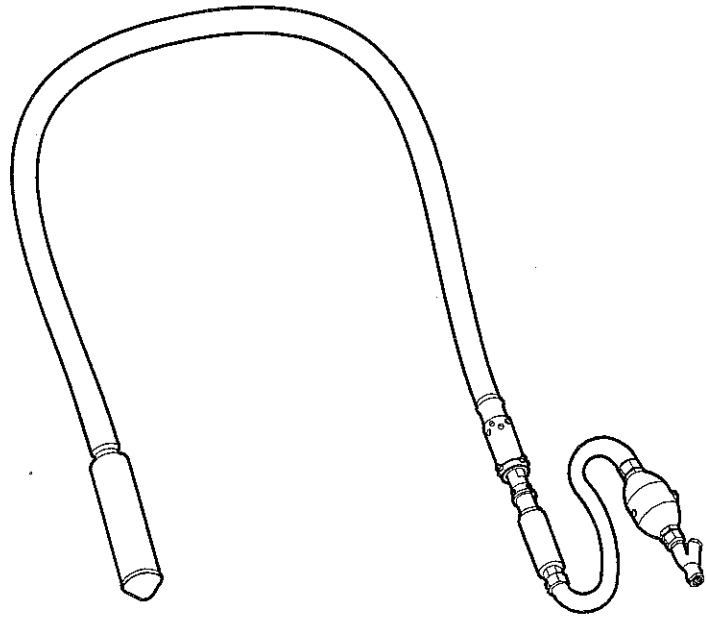


Spare parts list

CP 2190 Vibrator

CROWDER SUPPLY CO., INC. - 8495 ROSLYN ST. - COMMERCE CITY, CO 80022 - TOLL FREE 888-883-5144 - www.crowdersupply.com



www.cp.com





Introduction

Welcome! Protect your investment in the world's finest air tools. Use genuine CP replacement parts.

The purchase of replacement parts for your CP tools deserves the same good judgment that resulted in the purchase of the tools themselves. Each genuine CP part is made from carefully selected and inspected material, subjected to sophisticated machinery and finishing processes and heat-treated to produce just the right combination of hardness, ductility and impact resistance for its intended use. Each part is identical to, and made concurrently with, parts used in production tools.

The use of parts other than genuine CP replacement parts can lead to substandard performance, early failure, possible damage of other parts and, in some instances, unsafe conditions.

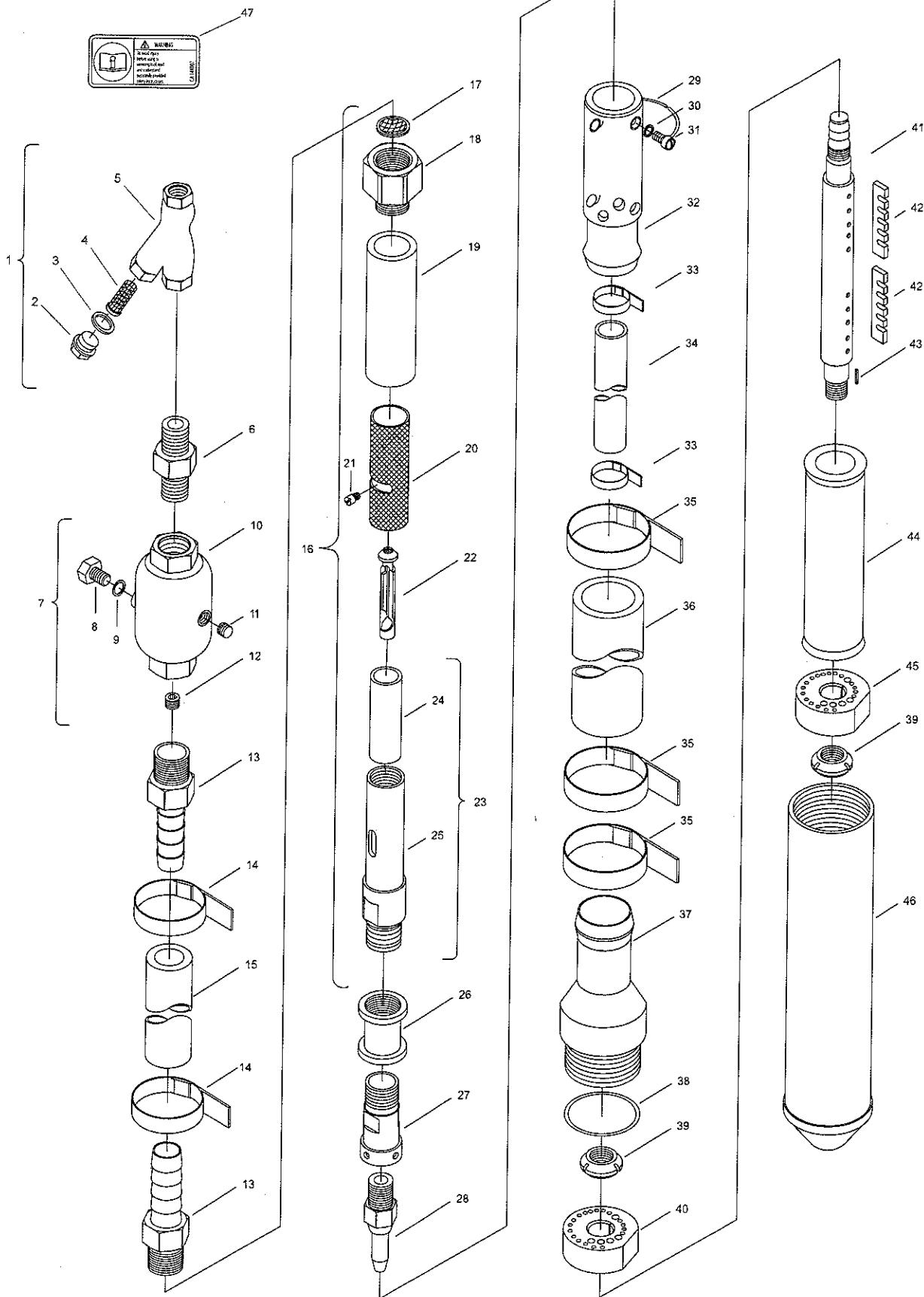
Use only authorized parts. Any damage or malfunction caused by unauthorized parts will not be covered by Warranty or Product Liability.

Any machine modification not approved by Chicago Pneumatics may result in serious injuries to yourself or others.

To reduce the risk of injury, read and understand the relevant safety and operating instructions before operating the machine.

CP 2190 is a pneumatic tool designed to vibrate and compact concrete in columns, footings, slabs and walls. No other use is permitted.

CROWDER SUPPLY CO, INC. - 8495 ROSLYN ST. - COMMERCE CITY, CO 80022 - TOLL FREE 888-883-5144 - www.crowdersupply.com





No.	Ordering No.	Quantity	Description
1	C061460	1	Strainer - live air complete (includes item Nos. 2, 3, 4 & 5)
2	—*)	1	Plug - gland
3	—*)	1	Gasket
4	—*)	1	Screen - air strainer
5	—*)	1	Strainer - live air
6	F016602	1	Nipple
7	C015137	1	Oiler (includes item No. 8, 9, 10, 11 & 12)
8	C015155	1	Plug - oiler body
9	C015156	1	Washer - plug
10	—*)	1	Oiler
11	C077941	1	Plug - pipe (3/8")
12	C068799	1	Plug - pipe (1/4")
13	C073940	2	Nipple - hose
14	C090674	2	Clamp - hose
15	C060332	1	Hose - intake (3/4")
16	C060364	1	Throttle complete (includes item No. 17, 18, 19, 20, 21, 22, 24 & 25)
17	C037292	1	Strainer - air
18	C037293	1	Cap - handle
19	S061798	1	Cover - throttle handle
20	C014054	1	Sleeve - handle
21	C014055	1	Screw - handle
22	C010046	1	Plug - handle
23	F813723	1	Stem - live air handle complete (includes item Nos. 24 & 25)
24	—*)	1	Bushing
25	—*)	1	Stem - live air handle
26	C015026	1	Coupling - pipe (3/4")
27	C038683	1	Nipple - swivel
28	P002079	1	Nipple - hose
29	C039438	1	Wire - lock
30	C012058	4	Lock washer (1/4")
31	C062118	4	Screw (#14 - 24 x 5/16")
32	C039584	1	Collar - exhaust swivel
33	C090672	2	Clamp - hose
34	C069153	1	Hose - live air (10Ft.)
35	C090677	3	Clamp - hose
36	C069151	1	Hose - exhaust
37	C105367	1	Cap - end
38	R110210	1	O-ring
39	R041208	2	Nut - bearing lock
40	C105372	1	Plate - upper end
41	C105369	1	Shaft - eccentric
42	C105373	2	Blade
43	US025392	1	Key
44	C105370	1	Weight - eccentric
45	C105371	1	Plate - lower end
46	C105363	1	Shell & cap
47	CA144007	1	Safety label

—*) Not delivered separately

CROWDER SUPPLY CO. INC. - 8495 ROSLYN ST. - COMMERCE CITY, CO 80022 - TOLL FREE 888-883-5144 - www.crowdersupply.com