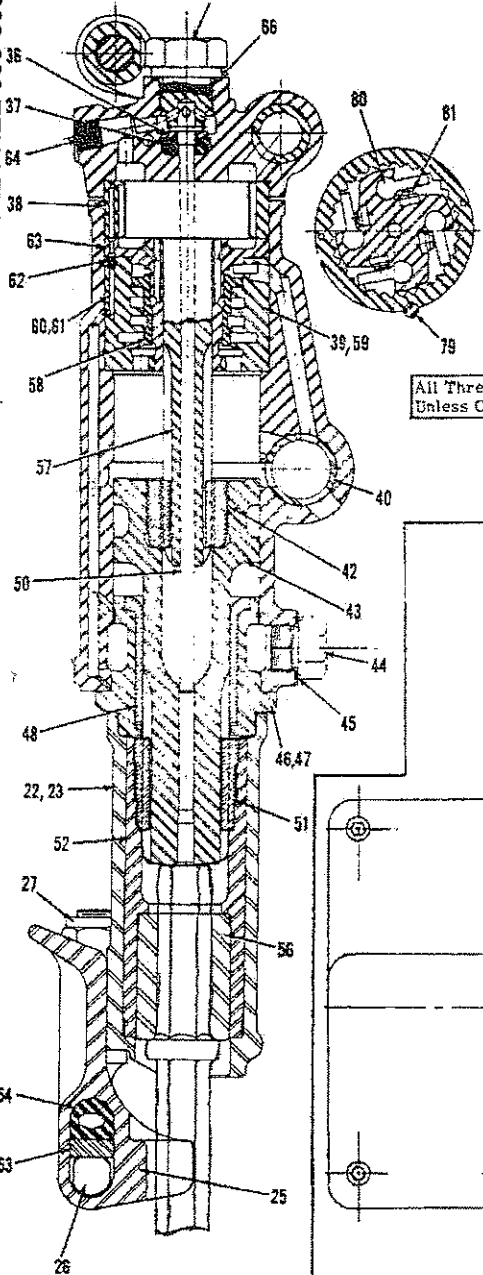
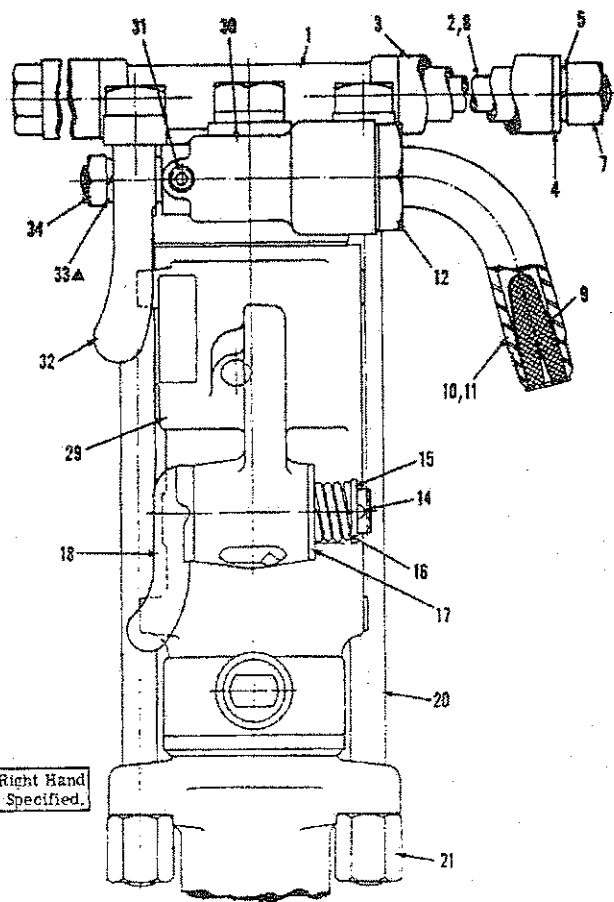
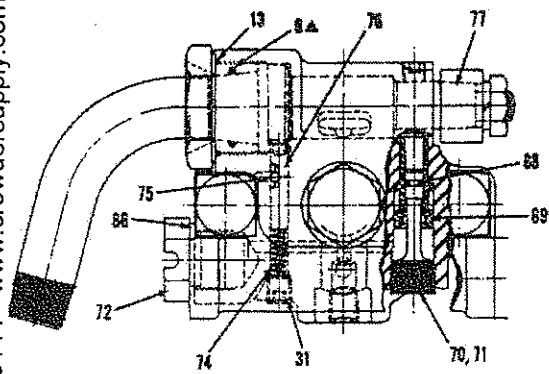


CP-32A SINKER DRILL Models "B" & "B-0"

BLOWER DRY BEAVER TAIL RETAINER

* SPARE PARTS ONLY

CROWDER SUPPLY CO., INC. - 8495 ROSLYN ST. - COMMERCE CITY, CO 80022 - TOLL FREE 888-883-5144 - www.crowdersupply.com

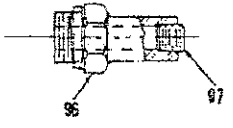


All Threads Are Right Hand Unless Otherwise Specified.

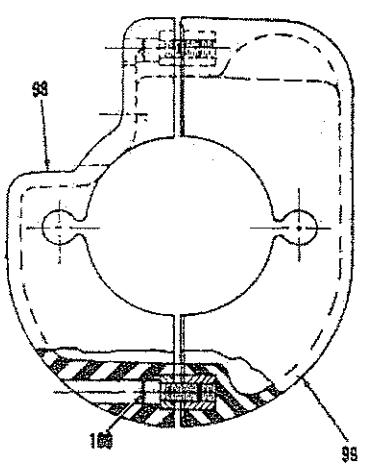
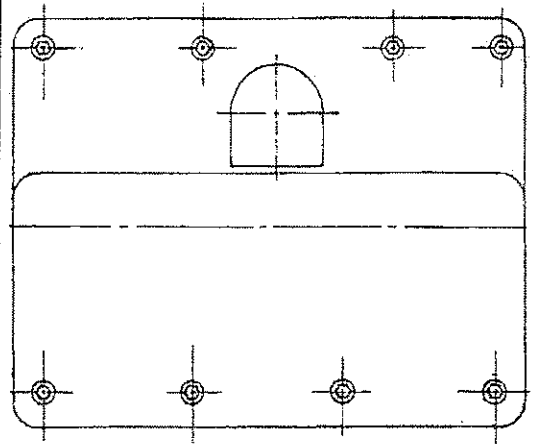
All Other Parts Same As CP-32A Sinker-Model "B-0"

CP-32A-S- SINKER

R-125568 MUFFLER ASSEMBLY



| Index No. | CP Part No. | Description | No. Req'd. |
|-----------|-------------|------------------------|------------|
| 96 | R-124145 | Cap-Filler (Incl: #45) | 1 |
| 97 | C-063799 | Plug-Pipe | 1 |
| 98 | R-124143 | Hood-Muffler (Right) | 1 |
| 99 | R-124144 | Hood-Muffler (Left) | 1 |
| 100 | R-117415 | Screw (5/16-24 x 3/4") | 8 |



CP-32A SINKER DRILL Models "B" & "B-0"

BLOWER DRY BEAVER TAIL RETAINER

* SPARE PARTS ONLY

| Index No. | CP Part No. | Description | No. Req'd. | Index No. | CP Part No. | Description | No. Req'd. |
|-----------|-------------|--|------------|-----------|-------------|--|------------|
| 1 | R-086608 | Bracket-Handle | 1 | 42 | *R-075839 | Nut-Rifle Bar (Steel) | 1 |
| 2 | R-076173 | Bolt-Handle | 1 | | R-075826 | Nut-Rifle Bar (Bronze) | 1 |
| 3 | R-077115 | Grip-Handle | 2 | 43 | R-000088 | Piston | 1 |
| 4 | R-000142 | Washer-Handle Bolt Key | 1 | 44 | R-085611 | Plug-Oil (incl: #45) | 1 |
| 5 | R-000550 | Lockwasher-Handle Bolt | 1 | 45 | R-091176 | Gasket-Oil Plug | 1 |
| 6 ▲ | R-110317 | "O" Ring (.978 I.D.) | 1 | 46 | R-086607 | Bushing-Cylinder | 1 |
| 7 | R-000549 | Nut-Hex. (5/8" - 11) | 1 | 47 | R-042161 | Bushing & Liner-Cylinder (incl: #46 & 48) | 1 |
| 8 | R-087837 | Handle Bolt Complete (incl: #2, 4, 5 & 7) | 1 | 48 | R-086609 | Liner-Cylinder Bushing | 1 |
| 9 | R-005584 | Screen-Air Inlet Model "B-0" | 1 | 50 | R-077184 | Tube-Air | 1 |
| 10 ▲ | R-007762 | Air Inlet Swivel Complete (incl: #6, 9, 11 & 12) | 1 | 51 | R-086733 | Nut-Chuck Rotation | 1 |
| 11 | R-075265 | Swivel-Air Inlet | 1 | 52 | R-041321 | Sleeve-Chuck (7/8" Hex. x 3 1/4") | 1 |
| 12 | R-000530 | Nut-Air Inlet Swivel | 1 | | R-041324 | Sleeve-Chuck (7/8" Hex. x 4 1/4" & 1" Hex. x 4 1/4") | 1 |
| 13 | P-103521 | "O" Ring (-128) | 1 | 53 | R-093898 | Retainer-Latch Shoe | 1 |
| 14 | R-076266 | Pin-Spring | 1 | 54 | R-093897 | Buffer-Retainer | 1 |
| 15 | R-076267 | Washer-Valve Spring | 1 | 56 | R-099374 | Chuck (7/8" Hex. x 3 1/4") | 1 |
| 16 | R-075778 | Spring-Blower Valve | 1 | | R-093891 | Chuck (7/8" Hex. x 4 1/4") | 1 |
| 17 | R-076273 | Washer-Blower Valve | 1 | | R-093890 | Chuck (1" Hex. x 4 1/4") | 1 |
| 18 | R-086612 | Valve-Blower | 1 | 57 | R-086622 | Bar-Rifle | 1 |
| 20 | R-086623 | Bolt-Thru | 2 | 58 | R-076263 | Valve (For Hand Held) | 1 |
| 21 | R-085756 | Nut-Thru Bolt | 2 | 59 | R-087983 | Valve Case Complete (incl: #58, 60 & 63) | 1 |
| 22 | R-041320 | Fronthead (7/8" Hex. x 3 1/4") | 1 | 60 | R-087982 | Oil-Regulating Stem Complete (incl: #39, 61 & 62) | 1 |
| | R-041323 | Fronthead (7/8" Hex. x 4 1/4" & 1" Hex. x 4 1/4") | 1 | 61 | R-085625 | Stem-Oil Regulating | 1 |
| 23 | R-104689 | Fronthead Complete (1" Hex. x 4 1/4") | 1 | 62 | R-098084 | Plug-Oil Regulating | 1 |
| | R-115733 | Fronthead Complete (7/8" Hex. x 3 1/4") | 1 | 63 | R-098085 | Bushing-Valve Guide | 1 |
| | R-115734 | Fronthead Complete (7/8" Hex. x 4 1/4") (Ea. incl: #22-27 & 51-56) | 1 | 64 | C-068799 | Plug-Pipe (1/4") | 1 |
| 25 | R-093913 | Retainer (7/8" Hex.) | 1 | | S-069343 | Wrench-Allen (1/4" Hex.) | 1 |
| | R-093895 | Retainer (1" Hex.) | 1 | 65 | R-076793 | Plug-Air Tube | 1 |
| 26 | R-093896 | Trunnion-Retainer | 2 | 66 | R-000537 | Gasket-Tube Plug | 2 |
| 27 | R-005742 | Nut-Elastic Stop (5/8" - 11) | 2 | 68 | C-079489 | "O" Ring (-008) | 1 |
| 29 | R-087990 | Cylinder (incl: #40) | 1 | 69 | R-098054 | Bushing-Water Valve | 1 |
| 30 | R-087948 | Backhead (incl: #69) | 1 | 70 | R-085492 | Plug-Water Valve Port | 1 |
| 31 | C-068064 | Plug-Pipe (1/8") | 2 | | P-084363 | Wrench-Allen (3/8 Hex.) | 1 |
| | P-070320 | Wrench-Allen (3/16" Hex.) | 1 | 71 | R-079130 | Water Valve Port Plug Complete (incl: #68 & 70) | 1 |
| 32 | R-079124 | Handle-Throttle Valve | 1 | 72 | R-076372 | Plug-Water Connection | 1 |
| 33 ▲ | C-036717 | Lockwasher-Valve Handle (1/2") | 1 | 74 | R-085671 | Spring-Valve Plunger | 1 |
| 34 | P-002149 | Nut-Hex. (Thin 1/2" - 20) | 1 | 75 | R-075802 | Pin-Valve Plunger | 1 |
| 36 | R-075449 | Washer-Air Tube | 1 | 76 | R-086627 | Plunger-Throttle Valve | 1 |
| 37 | R-075099 | Rubber-Air Tube | 1 | 77 | R-086628 | Valve-Throttle | 1 |
| 38 | R-076194 | Ring-Ratchet | 1 | 79 | R-075772 | Pin-Valve Case Dowel | 1 |
| 39 | R-076264 | Case-Valve | 1 | 80 | R-075267 | Pawl | 4 |
| 40 | R-086611 | Bushing-Blower Valve | 1 | 81 | R-086654 | Spring-Pawl | 4 |

▲ Changed Since Last Edition

(Model "B")

CROWDER SUPPLY CO., INC. - 8495 ROSLYN ST. - COMMERCE CITY, CO 80022 - TOLL FREE 888-883-5144 - www.crowdersupply.com