



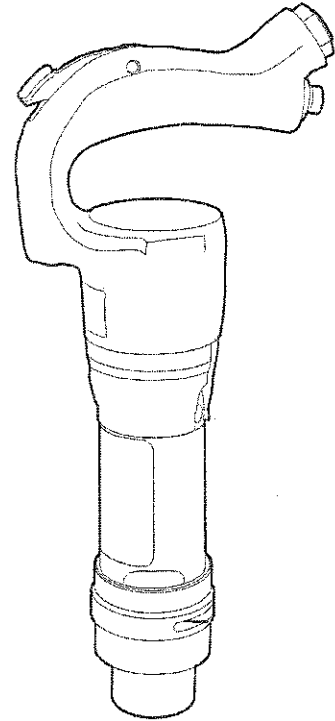
**Chicago
Pneumatic**

Crowder Supply Co., Inc. 8495 Roslyn St Commerce City, CO 80022 (303) 433-5144 FAX: (303) 433-3928 Toll Free: (888) 883-5144 www.crowders.com

Spare parts list

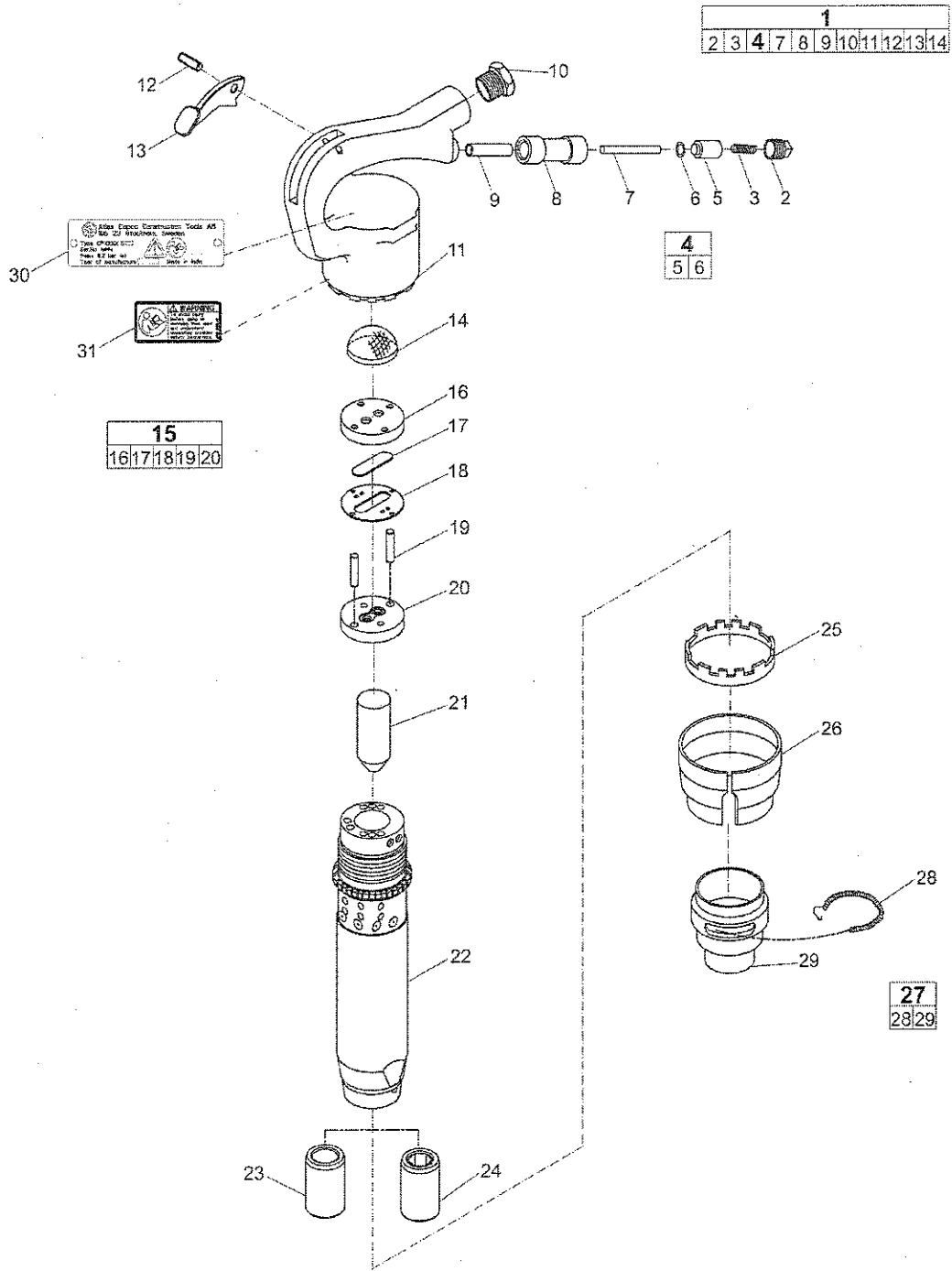
Handheld pneumatic chipping hammers

CP 4123



Spare parts list

CP 4123 2R, CP 4123 2H

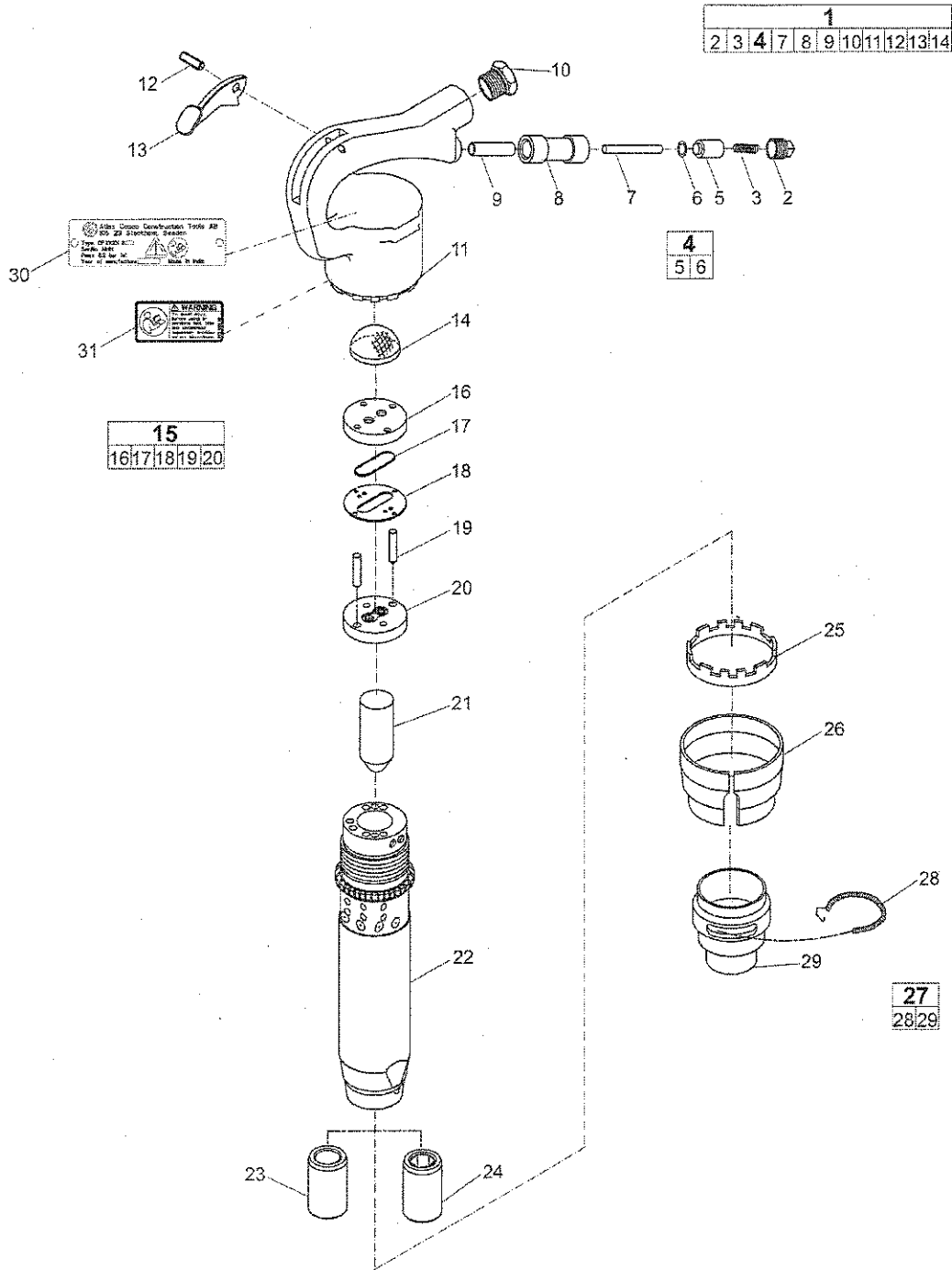


Crowder Supply Co, Inc. 8495 Roslyn St Commerce City, CO 80022 (303) 433-5144 FAX: (303) 433-3928 Toll Free: (888) 883-5144 www.crowdersupply.com

No.	Description	Remark	Quantity	Part number
1(2-3,4,7-14)	Handle, complete		1	Z9983830
2	Plug - Throttle valve		1	P001873
3	Spring - Throttle valve		1	P001853
4(5-6)	Valve - Throttle, complete		1	P001799
5	Valve - Throttle		1	-
6	O-ring		1	P083071
7	Pin - Throttle valve bush		1	P070719
8	Tube - Throttle valve		1	P071318
9	Bushing - Push pin		1	P070733
10	Bushing - Permanent		1	P009585
11	Handle		1	-
12	Pin - Throttle valve		1	A043627
13	Lever - Throttle		1	P009818
14	Screen		1	P092485
15(16-20)	Valve case, complete		1	P077013
16	Lid - Upper valve case		1	P071350
17	Valve		1	P071358
18	Case - Valve		1	P071352
19	Pin - Dowel	7/32 in. x 3/8 in. 5.56 x 22.23 mm	2	A041797
20	Lid - Lower valve case		1	P071351
21	Piston		1	P118662
22	Cylinder		1	
23	Sleeve - Chisel, round	CP 4123 2R	1	P001550
24	Sleeve - Chisel, hexagon	CP 4123 2H	1	P001551
25	Collar - Lock		1	P128247
26	Shield - Lock		1	P071355
27(28-29)	Sleeve - Retainer, complete		1	P107243
28	Spring - Lock coil		1	P070994
29	Sleeve - Retainer		1	-
30	Data plate		1	-
31	Safety label		1	3310 1602 00

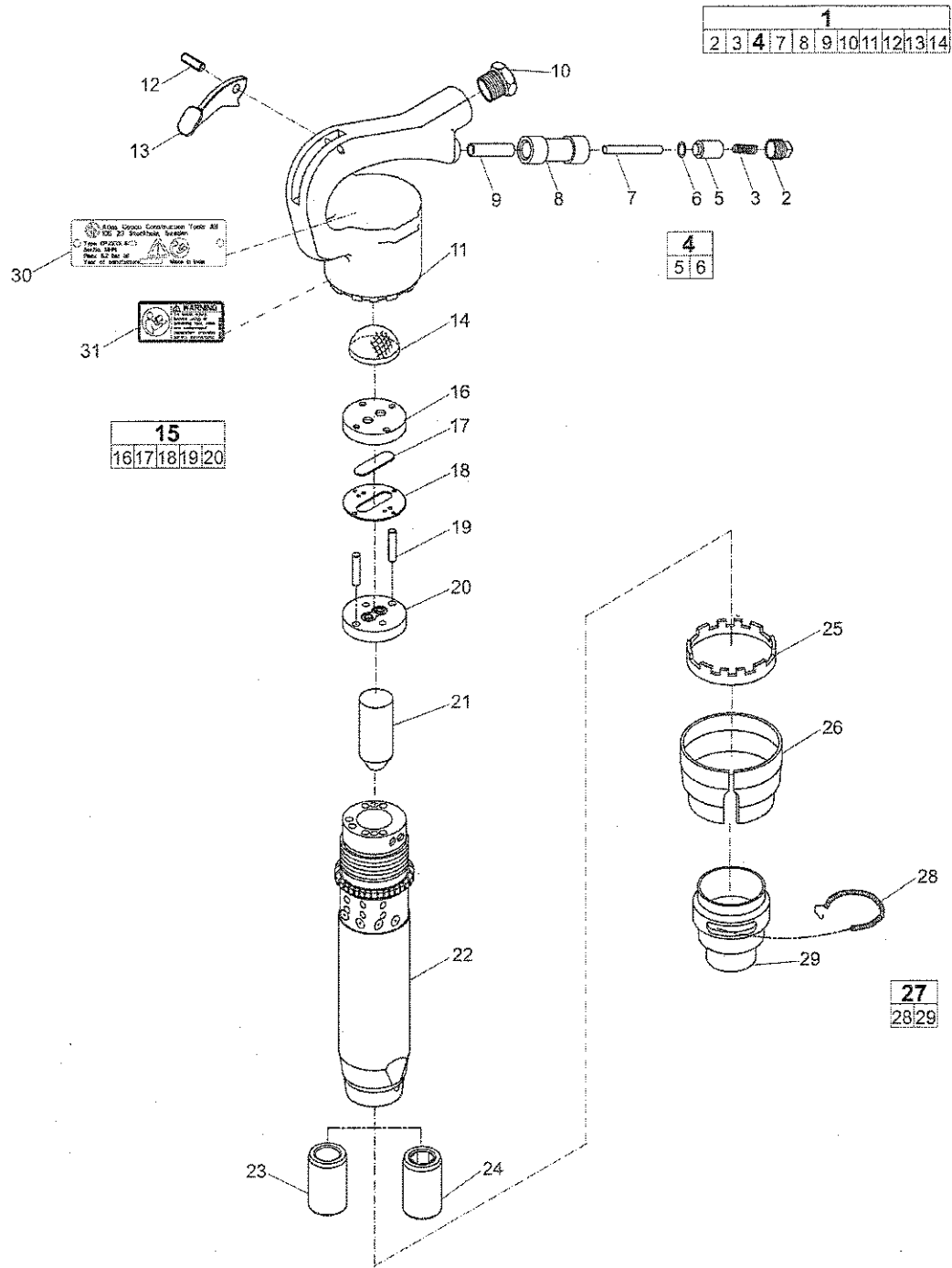
CP 4123 3R, CP 4123 3H

Crowder Supply Co, Inc. 8495 Roslyn St Commerce City, CO 80022 (303) 433-5144 FAX: (303) 433-3928 Toll Free: (888) 883-5144 www.crowdersupply.com



No.	Description	Remark	Quantity	Part number
1(2-3,4,7-14)	Handle, complete		1	Z9983830
2	Plug - Throttle valve		1	P001873
3	Spring - Throttle valve		1	P001853
4(5-6)	Valve - Throttle, complete		1	P001799
5	Valve - Throttle		1	-
6	O-ring		1	P083071
7	Pin - Throttle valve bush		1	P070719
8	Tube - Throttle valve		1	P071318
9	Bushing - Push pin		1	P070733
10	Bushing - Permanent		1	P009585
11	Handle		1	-
12	Pin - Throttle valve		1	A043627
13	Lever - Throttle		1	P009818
14	Screen		1	P092485
15(16-20)	Valve case, complete		1	P077013
16	Lid - Upper valve case		1	P071350
17	Valve		1	P071358
18	Case - Valve		1	P071352
19	Pin - Dowel	7/32 in. x 7/8 in. 5.56 x 22.23 mm	2	A041797
20	Lid - Lower valve case		1	P071351
21	Piston		1	P118662
22	Cylinder		1	-
23	Sleeve - Chisel, round	CP 4123 3R	1	P001550
24	Sleeve - Chisel, hexagon	CP 4123 3H	1	P001551
25	Collar - Lock		1	P128247
26	Shield - Lock		1	P071355
27(28-29)	Sleeve - Retainer, complete		1	P107243
28	Spring - Lock coil		1	P070994
29	Sleeve - Retainer		1	-
30	Data plate		1	-
31	Safety label		1	3310 1602 00

CP 4123 4R, CP 4123 4H



Crowder Supply Co, Inc. 8495 Roslyn St Commerce City, CO 80022 (303) 433-5144 FAX: (303) 433-3928 Toll Free: (888) 883-5144 www.crowdersupply.com

No.	Description	Remark	Quantity	Part number
1(2-3,4,7-14)	Handle, complete		1	Z9983830
2	Plug - Throttle valve		1	P001873
3	Spring - Throttle valve		1	P001853
4(5-6)	Valve - Throttle, complete		1	P001799
5	Valve - Throttle		1	-
6	O-ring		1	P083071
7	Pin - Throttle valve bush		1	P070719
8	Tube - Throttle valve		1	P071318
9	Bushing - Push pin		1	P070733
10	Bushing - Permanent		1	P009585
11	Handle		1	-
12	Pin - Throttle valve		1	A043627
13	Lever - Throttle		1	P009818
14	Screen		1	P092485
15(16-20)	Valve case, complete		1	P077013
16	Lid - Upper valve case		1	P071350
17	Valve		1	P071358
18	Case - Valve		1	P071352
19	Pin - Dowel	$\frac{1}{32}$ in. x $\frac{3}{8}$ in. 5.56 x 22.23 mm	2	A041797
20	Lid - Lower valve case		1	P071351
21	Piston		1	P118678
22	Cylinder		1	-
23	Sleeve - Chisel, round	CP 4123 4R	1	P001550
24	Sleeve - Chisel, hexagon	CP 4123 4H	1	P001551
25	Collar - Lock		1	P128247
26	Shield - Lock		1	P071355
27(28-29)	Sleeve - Retainer, complete		1	P107243
28	Spring - Lock coil		1	P070994
29	Sleeve - Retainer		1	-
30	Data plate		1	-
31	Safety label		1	3310 1602 00

Accessories

Hose rolls

Metric

Description	Inner diameter (mm)	Thickness (mm)	Maximum working pressure (bar)	Length of roll (m)	Weight (kg)	Part number
Red-X hose roll	19	2.0	20	60	11	8900 0050 10
Red-X hose roll	19	2.0	20	100	18	8900 0050 11
Red-X hose roll	19	2.0	20	200	36	8900 0050 12
Red-X hose roll	25	2.5	20	60	15	8900 0050 20
Red-X hose roll	25	2.5	20	100	25	8900 0050 21
Red-X hose roll	25	2.5	20	200	50	8900 0050 22

Imperial

Description	Inner diameter (in.)	Thickness (in.)	Maximum working pressure (psi)	Length of roll (ft)	Weight (lb)	Part number
Red-X hose roll	¾	¼	290	195	24.3	8900 0050 10
Red-X hose roll	¾	¼	290	325	39.7	8900 0050 11
Red-X hose roll	¾	¼	290	650	79.4	8900 0050 12
Red-X hose roll	1	⅜	290	195	33.1	8900 0050 20
Red-X hose roll	1	⅜	290	325	55.1	8900 0050 21
Red-X hose roll	1	⅜	290	650	110.2	8900 0050 22

Pre-mounted universal hoses with claw couplings

Metric

Description	Inner diameter (mm)	Thickness (mm)	Maximum working pressure (bar)	Length of roll (m)	Weight (kg)	Part number
Red-X universal hose	19	2.0	20	20	4.5	8900 0050 09
Red-X universal hose	25	2.5	20	20	6.0	8900 0050 23

Imperial

Description	Inner diameter (in.)	Thickness (in.)	Maximum working pressure (psi)	Length of roll (ft)	Weight (lb)	Part number
Red-X universal hose	¾	¼	290	50	8.8	8900 0050 08
Red-X universal hose	1	⅜	290	50	11.0	8900 0050 24

Water separator

Metric

Description	Hose connection (mm)	Air flow (l/s)	Weight (kg)	Part number
Water separator (3/4 in. BSP)	20	61	0.8	8900 0050 00

Imperial

Description	Hose connection (in.)	Air flow (foot ³ /min)	Weight (lb)	Part number
Water separator (3/4 in. NPT)	3/4	130	1.8	8900 0050 01

Lubricator

Metric

Description	Hose connection (mm)	Air flow (l/s)	Oil volume (l)	Weight (kg)	Part number
Lubricator 1300 (1 in. BSP)	25	15-140	1.3	3	8900 0050 02

Imperial

Description	Hose connection (in.)	Air flow (foot ³ /min)	Oil volume (US gallon)	Weight (lb)	Part number
Lubricator 43 (1 in. NPT)	1	32-300	0.34	6.6	8900 0050 07

CP airolene plus tool oil

Metric

Description	Oil volume (l)	Part number
5 l container	5	8099 0202 49
4 x 5 l container	20	8099 0202 51

Imperial

Description	Oil volume (US gallon)	Part number
1.32 US gallon container	1.32	8099 0202 49
4 x 1.32 US gallon container	5.28	8099 0202 51