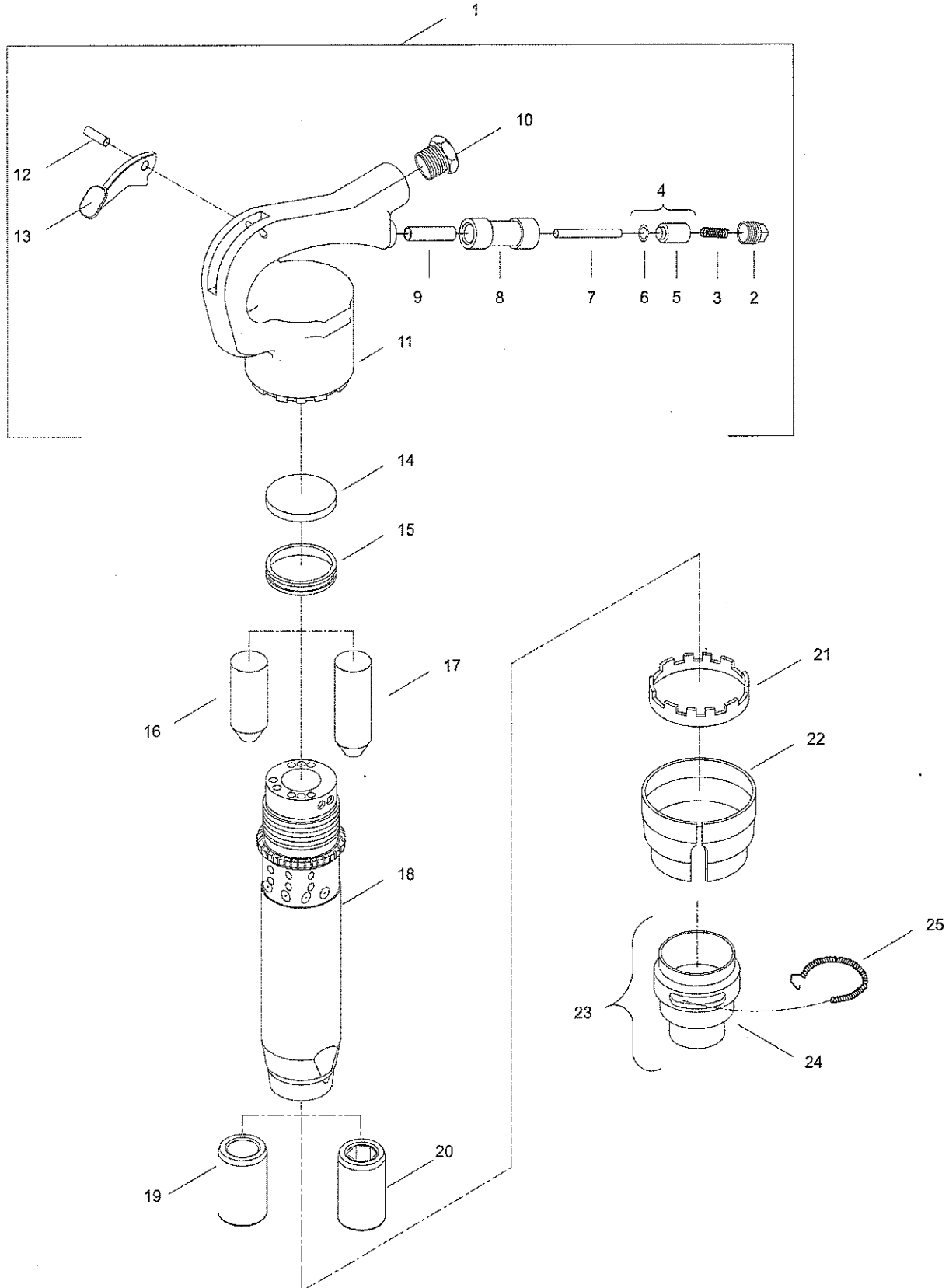


EXPLODED VIEW OF CP 4125 2R, CP 4125 2H CP 4125 3R, CP 4125 3H CP 4125 4R, CP 4125 4H



Ref. No.	Ordering No.	Qty.	Description
----------	--------------	------	-------------

CP 4125 Chipping Hammer

1	P130242	1	Handle assembly (Includes item No. 2, 3, 5, 6, 7, 8, 9, 10, 11, 12 & 13)
2	P001873	1	Plug - Throttle valve
3	P001853	1	Spring - Throttle valve
4	P001799	1	Valve - Throttle complete (Includes item No. 5 & 6)
5		1	Valve - Throttle
6	P083071	1	O-ring (-011)
7	P070719	1	Pin - Throttle valve bush
8	P071318	1	Tube - Throttle valve
9	P070733	1	Bushing - Push pin
10	P009585	1	Bushing - Permanent
11		1	Handle
12	A043627	1	Pin - Throttle lever
13	P009818	1	Lever - Throttle
14	P009837	1	Lid (Ring valve)
15	P009836	1	Valve (Ring valve)
16	P118662	1	Piston (for 2" or 3" stroke version)
17	P118678	1	Piston (for 4" stroke version)
18		1	Cylinder
19	P001550	1	Sleeve - Chisel (Round)
20	P001551	1	Sleeve - Chisel (Hex)
21	P128247	1	Collar - Lock
22	P071355	1	Shield - Lock
23	P107243	1	Sleeve - Retainer (Includes item No. 24 & 25)
24		1	Sleeve - Retainer
25	P070994	1	Spring - Lock coil