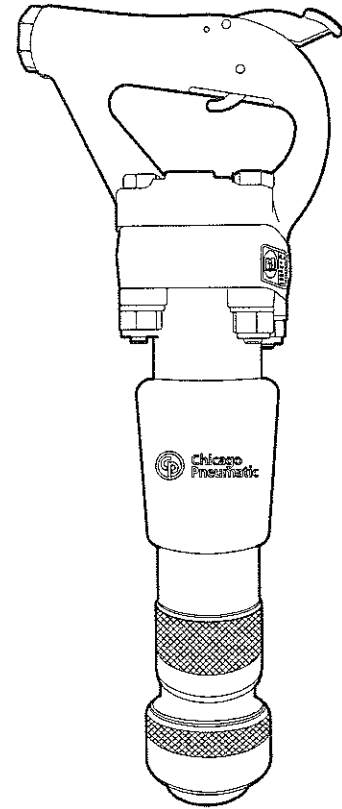




**Chicago  
Pneumatic**

## **Spare parts list**

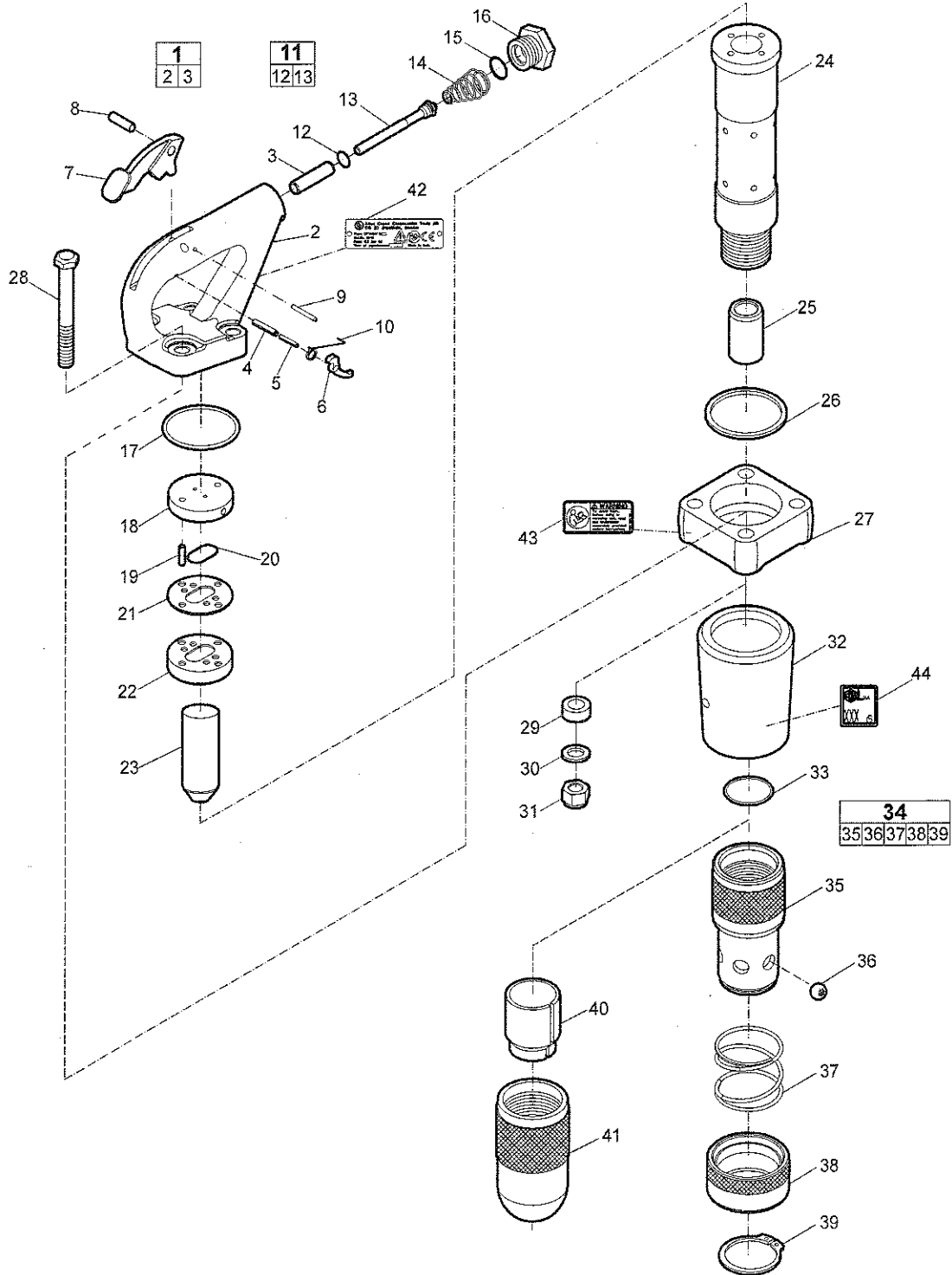
### **Handheld pneumatic chipping hammers CP 4131**



Crowder Supply Co., Inc. 8495 Roslyn St Commerce City, CO 80022 (303) 433-5144 FAX: (303) 433-3928 Toll Free: (888) 883-5144 www.crowdersupply.com

# Spare parts list

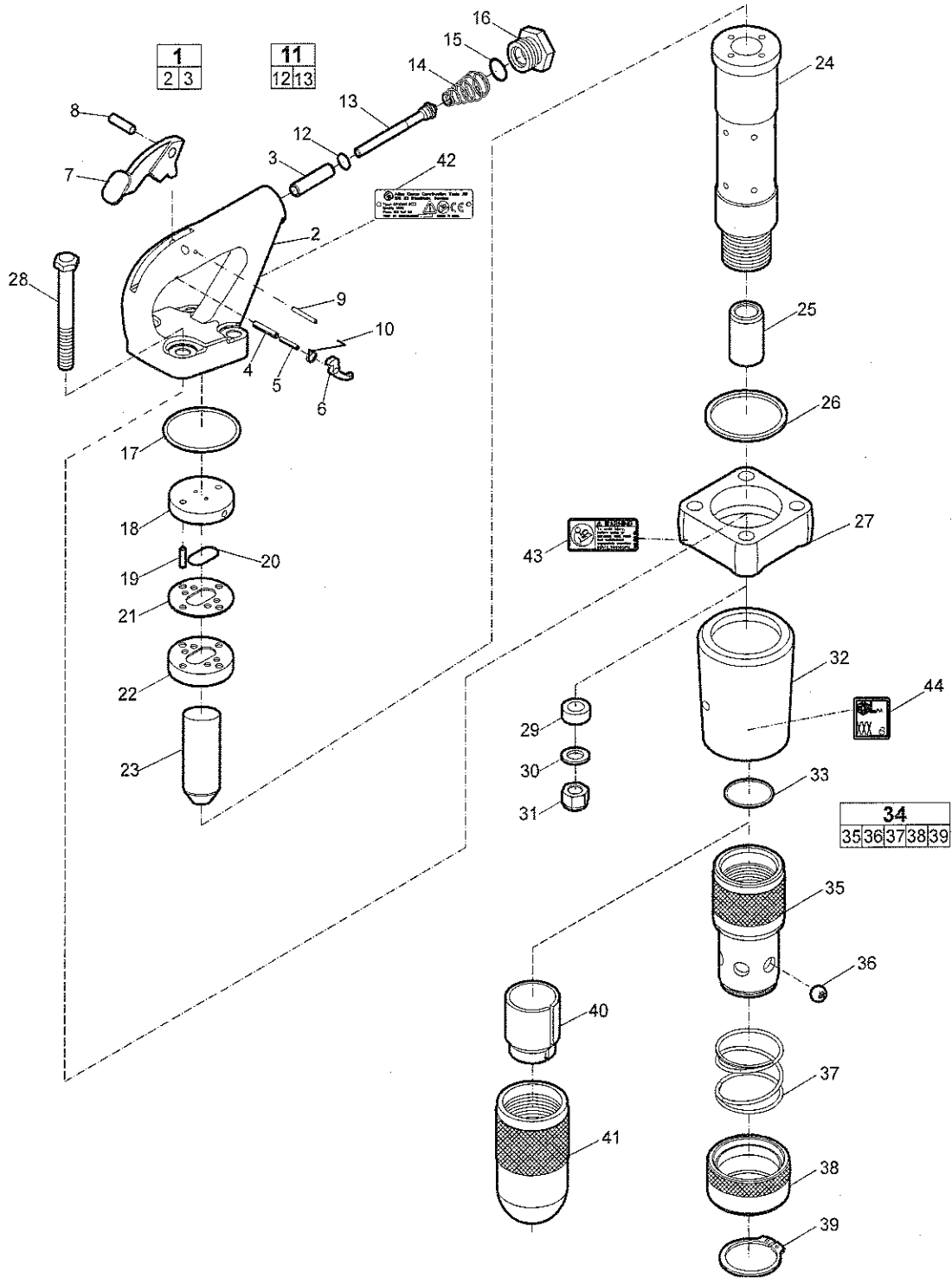
## CP 4131 3H



Crowder Supply Co., Inc. 8495 Roslyn St Commerce City, CO 80022 (303) 433-5144 FAX: (303) 433-3928 Toll Free: (888) 883-5144 www.crowdersupply.com

| No.       | Description                | Remark                               | Quantity | Part number  |
|-----------|----------------------------|--------------------------------------|----------|--------------|
| 1(2-3)    | Handle, complete           |                                      | 1        | Z8342857     |
| 2         | Handle                     |                                      | 1        | -            |
| 3         | Bush - Throttle valve      |                                      | 1        | -            |
| 4         | Pin-Lock-off trigger       | ½ in.<br>4.0 mm                      | 1        | R158137      |
| 5         | Pin-Lock-off trigger       | ½ in.<br>2.4 mm                      | 1        | R158138      |
| 6         | Lock-off trigger           |                                      | 1        | R157955      |
| 7         | Lever                      |                                      | 1        | R157990      |
| 8         | Pin - Lever                |                                      | 1        | A043627      |
| 9         | Pin - Stop                 | ¼ in.<br>3.2 mm                      | 1        | G071660      |
| 10        | Lock-off spring            |                                      | 1        | R157956      |
| 11(12-13) | Throttle valve, complete   |                                      | 1        | R157957      |
| 12        | O-ring - Throttle valve    |                                      | 1        | R138140      |
| 13        | Throttle valve             |                                      | 1        | -            |
| 14        | Spring - Throttle valve    |                                      | 1        | R157960      |
| 15        | O-ring - Air inlet bushing |                                      | 1        | C046471      |
| 16        | Air inlet bushing          |                                      | 1        | R085595      |
| 17        | O-ring                     |                                      | 1        | C116352      |
| 18        | Lid - Upper valve case     |                                      | 1        | P071350      |
| 19        | Pin - Dowel                |                                      | 2        | A041797      |
| 20        | Valve                      |                                      | 1        | P071358      |
| 21        | Case - Valve               |                                      | 1        | P071352      |
| 22        | Lid - Lower valve case     |                                      | 1        | P071351      |
| 23        | Piston                     | 3 in.<br>76.2 mm                     | 1        | P118662      |
| 24        | Cylinder                   |                                      | 1        | -            |
| 25        | Bushing, hexagon           | 0.580 in.<br>14.7 mm                 | 1        | P001551      |
| 26        | Ring - Clamp               |                                      | 1        | R157952      |
| 27        | Flange - Cylinder          |                                      | 1        | R157951      |
| 28        | Bolt                       |                                      | 4        | R157954      |
| 29        | Bumper                     |                                      | 4        | P155421      |
| 30        | Washer                     |                                      | 4        | R158143      |
| 31        | Nylock nut                 |                                      | 4        | R157953      |
| 32        | Muffler                    |                                      | 1        | P155535      |
| 33        | Retainer lock ring         | Ø 1.54 in. x 0.12 in.<br>39.2 x 3 mm | 1        | H2228858     |
| 34(35-39) | Retainer, complete         |                                      | 1        | Z8389857     |
| 35        | Retainer                   |                                      | 1        | -            |
| 36        | Steel ball                 | 1 set consists of 6 balls            | 1        | Z8754857     |
| 37        | Spring                     |                                      | 1        | H3437857     |
| 38        | Retainer Sleeve            |                                      | 1        | -            |
| 39        | External Circlip           |                                      | 1        | H3275857     |
| 40        | Buffer, optional           |                                      | 1        | H2303858     |
| 41        | Retainer, optional         |                                      | 1        | C8788859     |
| 42        | Data plate                 |                                      | 1        | -            |
| 43        | Safety label               |                                      | 1        | 3310 1602 00 |
| 44        | Noise level label          |                                      | 1        | -            |

CP 4131 3R



Crowder Supply Co, Inc. 8495 Roslyn St Commerce City, CO 80022 (303) 433-5144 FAX: (303) 433-3928 Toll Free: (888) 863-5144 www.crowdersupply.com

| No.       | Description                | Remark   | Quantity | Part number  |
|-----------|----------------------------|--|----------|--------------|
| 1(2-3)    | Handle, complete           |  | 1        | Z8342857     |
| 2         | Handle                     |  | 1        | -            |
| 3         | Bush - Throttle valve      |  | 1        | -            |
| 4         | Pin- Lock-Off- trigger     | $\frac{5}{32}$ in.<br>4.0 mm                     | 1        | R158137      |
| 5         | Pin- Lock-Off- trigger     | $\frac{5}{32}$ in.<br>2.4 mm                     | 1        | R158138      |
| 6         | Lock-off trigger           |  | 1        | R157955      |
| 7         | Lever                      |  | 1        | R157990      |
| 8         | Pin - Lever                |  | 1        | A043627      |
| 9         | Pin - Stop                 | $\frac{1}{4}$ in.<br>3.2 mm                      | 1        | G071660      |
| 10        | Lock-off spring            |  | 1        | R157956      |
| 11(12-13) | Throttle valve, complete   |  | 1        | R157957      |
| 12        | O-ring - Throttle valve    |  | 1        | R138140      |
| 13        | Throttle valve             |  | 1        | -            |
| 14        | Spring - Throttle valve    |  | 1        | R157960      |
| 15        | O-ring - Air inlet bushing |  | 1        | C046471      |
| 16        | Air inlet bushing          |  | 1        | R085595      |
| 17        | O-ring                     |  | 1        | C116352      |
| 18        | Lid - Lower valve case     |  | 1        | P071350      |
| 19        | Pin - Dowel                |  | 2        | A041797      |
| 20        | Valve                      |  | 1        | P071358      |
| 21        | Case - Valve               |  | 1        | P071352      |
| 22        | Lid - Lower valve case     |  | 1        | P071351      |
| 23        | Piston                     | 3 in.<br>76.2 mm                                 | 1        | P118662      |
| 24        | Cylinder                   |  | 1        | -            |
| 25        | Bushing, round             | 0.680 in.<br>17.3 mm                             | 1        | P001550      |
| 26        | Ring - Clamp               |  | 1        | R157952      |
| 27        | Flange - Cylinder          |  | 1        | R157951      |
| 28        | Bolt                       |  | 4        | R157954      |
| 29        | Bumper                     |  | 4        | P155421      |
| 30        | Washer                     |  | 4        | R158143      |
| 31        | Nyloc nut                  |  | 4        | R157953      |
| 32        | Muffler                    |  | 1        | P155535      |
| 33        | Retainer lock ring         | $\varnothing$ 1.54 in. x 0.12 in.<br>39.2 x 3 mm | 1        | H2228858     |
| 34(35-39) | Retainer, complete         |  | 1        | Z8389857     |
| 35        | Retainer                   |  | 1        | -            |
| 36        | Steel ball                 | 1 set consists of 6 balls                        | 1        | Z8754857     |
| 37        | Spring                     |  | 1        | H3437857     |
| 38        | Retainer sleeve            |  | 1        | -            |
| 39        | External circlip           |  | 1        | H3275857     |
| 40        | Buffer, optional           |  | 1        | H2303858     |
| 41        | Retainer, optional         |  | 1        | C8788859     |
| 42        | Data plate                 |  | 1        | -            |
| 43        | Safety label               |  | 1        | 3310 1602 00 |
| 44        | Noise level label          |  | 1        | -            |

## Accessories

### Hose rolls

#### Metric

| Description     | Inner diameter (mm) | Thickness (mm) | Maximum working pressure (bar) | Length of roll (m) | Weight (kg) | Part number  |
|-----------------|---------------------|----------------|--------------------------------|--------------------|-------------|--------------|
| Red-X hose roll | 19                  | 2.0            | 20                             | 60                 | 11          | 8900 0050 10 |
| Red-X hose roll | 19                  | 2.0            | 20                             | 100                | 18          | 8900 0050 11 |
| Red-X hose roll | 19                  | 2.0            | 20                             | 200                | 36          | 8900 0050 12 |
| Red-X hose roll | 25                  | 2.5            | 20                             | 60                 | 15          | 8900 0050 20 |
| Red-X hose roll | 25                  | 2.5            | 20                             | 100                | 25          | 8900 0050 21 |
| Red-X hose roll | 25                  | 2.5            | 20                             | 200                | 50          | 8900 0050 22 |

#### Imperial

| Description     | Inner diameter (in.) | Thickness (in.) | Maximum working pressure (psi) | Length of roll (ft) | Weight (lb) | Part number  |
|-----------------|----------------------|-----------------|--------------------------------|---------------------|-------------|--------------|
| Red-X hose roll | ¾                    | ¼               | 290                            | 195                 | 24.3        | 8900 0050 10 |
| Red-X hose roll | ¾                    | ¼               | 290                            | 325                 | 39.7        | 8900 0050 11 |
| Red-X hose roll | ¾                    | ¼               | 290                            | 650                 | 79.4        | 8900 0050 12 |
| Red-X hose roll | 1                    | ⅜               | 290                            | 195                 | 33.1        | 8900 0050 20 |
| Red-X hose roll | 1                    | ⅜               | 290                            | 325                 | 55.1        | 8900 0050 21 |
| Red-X hose roll | 1                    | ⅜               | 290                            | 650                 | 110.2       | 8900 0050 22 |

### Pre-mounted universal hoses with claw couplings

#### Metric

| Description          | Inner diameter (mm) | Thickness (mm) | Maximum working pressure (bar) | Length of roll (m) | Weight (kg) | Part number  |
|----------------------|---------------------|----------------|--------------------------------|--------------------|-------------|--------------|
| Red-X universal hose | 19                  | 2.0            | 20                             | 20                 | 4.5         | 8900 0050 09 |
| Red-X universal hose | 25                  | 2.5            | 20                             | 20                 | 6.0         | 8900 0050 23 |

#### Imperial

| Description          | Inner diameter (in.) | Thickness (in.) | Maximum working pressure (psi) | Length of roll (ft) | Weight (lb) | Part number  |
|----------------------|----------------------|-----------------|--------------------------------|---------------------|-------------|--------------|
| Red-X universal hose | ¾                    | ¼               | 290                            | 50                  | 8.8         | 8900 0050 08 |
| Red-X universal hose | 1                    | ⅜               | 290                            | 50                  | 11.0        | 8900 0050 24 |

## Water separator

### Metric

| Description                 | Hose connection (mm) | Air flow (l/s) | Weight (kg) | Part number  |
|-----------------------------|----------------------|----------------|-------------|--------------|
| Water separator (¼ in. BSP) | 20                   | 61             | 0.8         | 8900 0050 00 |

### Imperial

| Description                 | Hose connection (in.) | Air flow (foot <sup>3</sup> /min) | Weight (lb) | Part number  |
|-----------------------------|-----------------------|-----------------------------------|-------------|--------------|
| Water separator (¼ in. NPT) | ¾                     | 130                               | 1.8         | 8900 0050 01 |

## Lubricator

### Metric

| Description                 | Hose connection (mm) | Air flow (l/s) | Oil volume (l) | Weight (kg) | Part number  |
|-----------------------------|----------------------|----------------|----------------|-------------|--------------|
| Lubricator 1300 (1 in. BSP) | 25                   | 15-140         | 1.3            | 3           | 8900 0050 02 |

### Imperial

| Description               | Hose connection (in.) | Air flow (foot <sup>3</sup> /min) | Oil volume (US gallon) | Weight (lb) | Part number  |
|---------------------------|-----------------------|-----------------------------------|------------------------|-------------|--------------|
| Lubricator 43 (1 in. NPT) | 1                     | 32-300                            | 0.34                   | 6.6         | 8900 0050 07 |

## CP airolene plus tool oil

### Metric

| Description       | Oil volume (l) | Part number  |
|-------------------|----------------|--------------|
| 5 l container     | 5              | 8099 0202 49 |
| 4 x 5 l container | 20             | 8099 0202 51 |

### Imperial

| Description                  | Oil volume (US gallon) | Part number  |
|------------------------------|------------------------|--------------|
| 1.32 US gallon container     | 1.32                   | 8099 0202 49 |
| 4 x 1.32 US gallon container | 5.28                   | 8099 0202 51 |