

CP-9RR & CP-9RR-S HANDRILS

UTICA ROCK DRILL 588

THIRD EDITION

SEPTEMBER, 1983

Supersedes Second Edition February, 1976

Instruction and Parts Book for

PNEUMATIC HANDRILS

CP-9RR Models "B-O", "C-O" & "D-N"

(WITH ROTATION RELEASE)

CP-9RR-S Models "B-O", "C-O" & "D-N"

(WITH ROTATION RELEASE / SILENCED)

**PROTECT YOUR INVESTMENT
IN THE WORLD'S FINEST AIR TOOLS.
USE GENUINE CP REPLACEMENT PARTS.**

The purchase of replacement parts for your CP tools deserves the same good judgment that resulted in the purchase of the tools themselves. Each genuine CP part is made from carefully selected and inspected material, subjected to sophisticated machinery and finishing processes

and heat-treated to produce just the right combination of hardness, ductility and impact resistance for its intended use. Each part is identical to, and made concurrently with, parts used in production tools. The use of parts other than genuine CP replacement parts can lead to sub-standard performance, early failure, possible damage of other parts and, in some instances, unsafe conditions.



TOOL DIVISION
Chicago Pneumatic

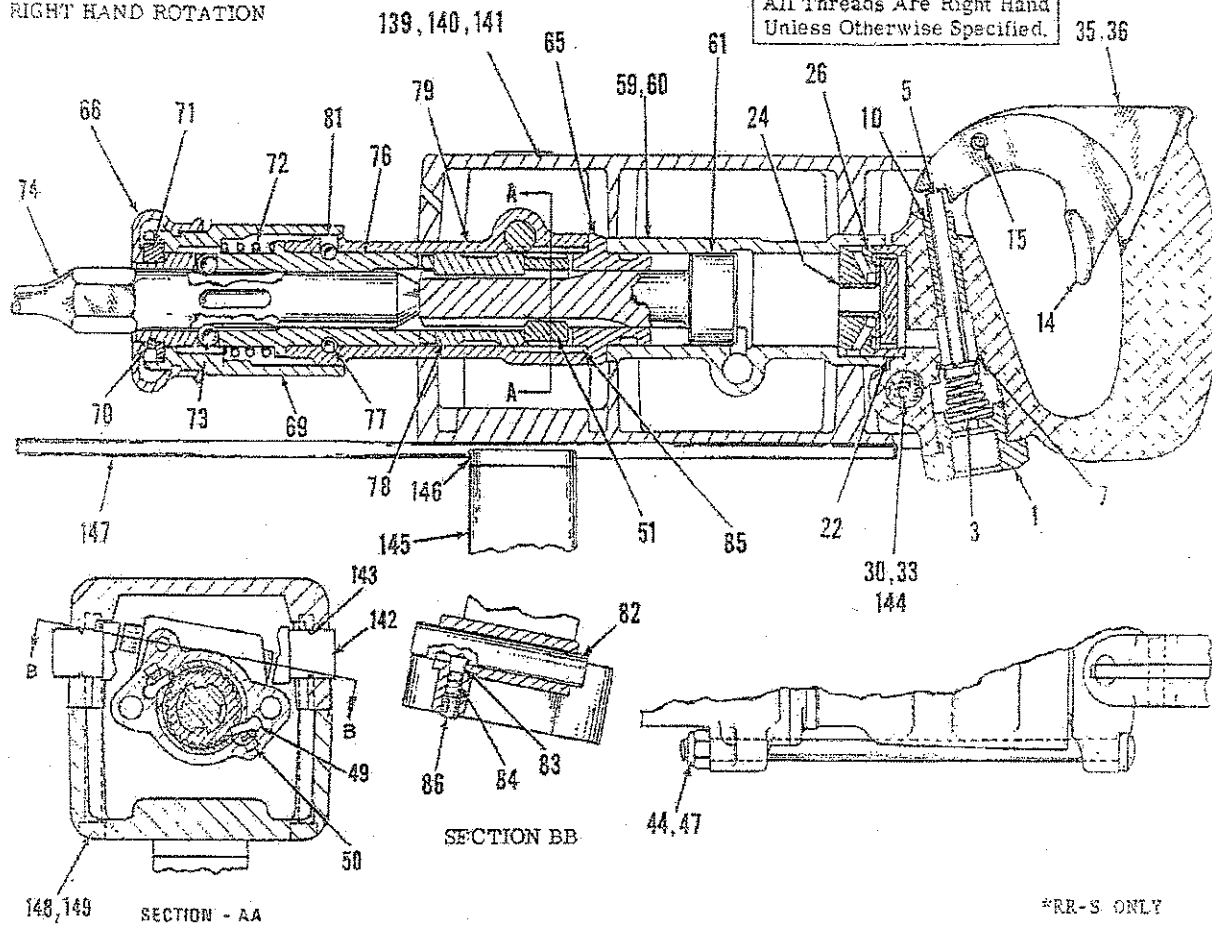
UTICA, NEW YORK 13501

R-278138

CP-9RR / CP-9RR-S HANDRIL Model "D-N"

RIGHT HAND ROTATION

All Threads Are Right Hand Unless Otherwise Specified.

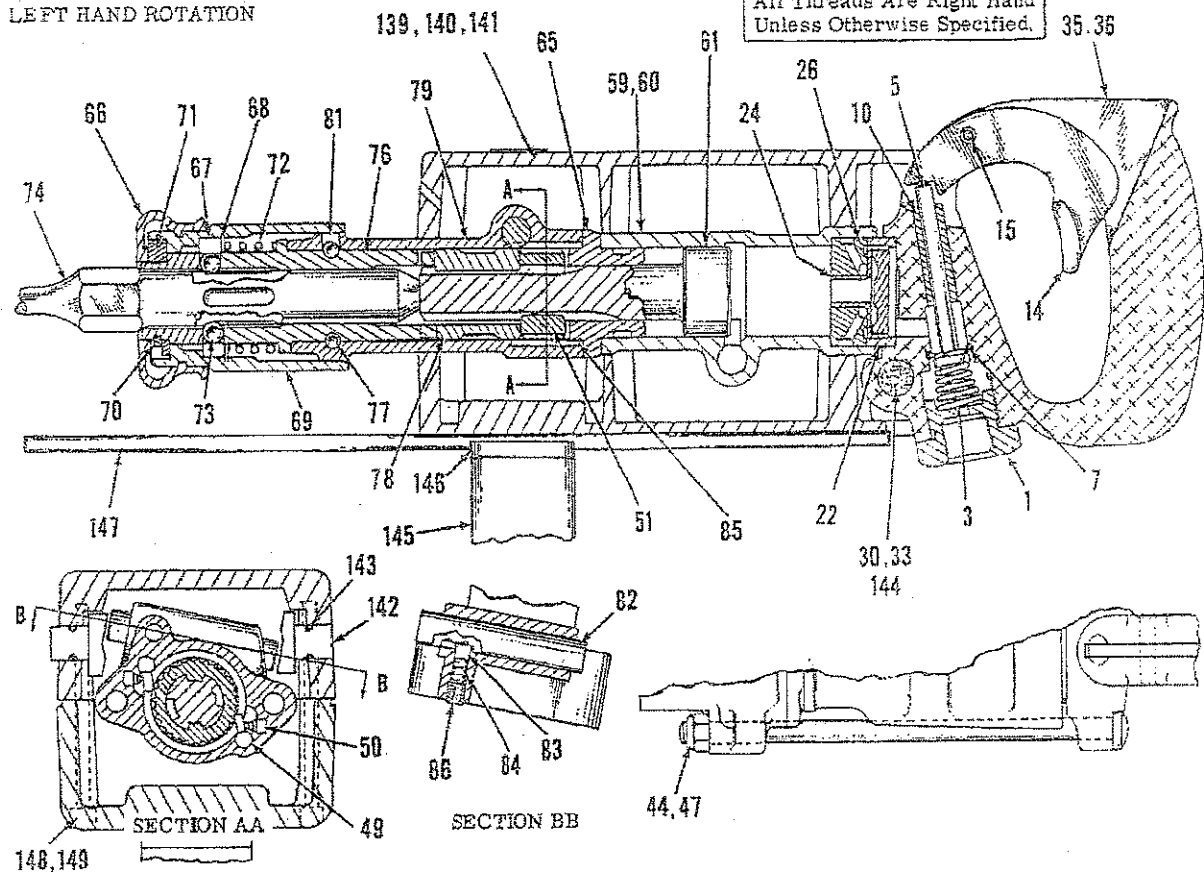


*RR-S ONLY

Index No.	Part No.	Description	No Req'd	Index No.	Part No.	Description	No Req'd
1	R085893	Bushing-Air Inlet (3/8")	1	70	F826893	Ring - Retainer	1
3	R085896	Spring-Throttle Valve	1	71	F826863	Plate-Retainer	1
5	R086329	Valve-Throttle	1	72	R087705	Spring-Sleeve Retainer	1
7	R086098	Seat-Throttle Valve	1	73	F070416	Ball-Steel (5/16" Dia)	4
10	F815426	Bushing-Throttle Valve Stem	1	74	---	Bit (See page 6)	1
14	F027853	Lever-Throttle	1	76	F826892	Chuck	1
15	A043627	Pin-Throttle Lever	1	77	3315 1294 00	Ball-Chuck Retainer	17
22	R085896	Seat-Rear Valve	1	78	R085900	Sleeve-Chuck	1
24	R085897	Valve	1	79	F816120	Front Head	1
26	R085808	Seat-Front Valve	1	81	F061868	Plug-Ball Retainer	1
30	R085895	Felt-Oil Chamber	1	82	R051351	Plunger-Shifter	1
33	C077941	Plug-Pipe (3/8")	1	83	Z8294412	Plunger-Shifter Detent	1
35	R278018	Handle (Incl. Index #7 & 10)	1	84	R051353	Spring-Plunger	1
36	R278018	Handle Complete	1	85	Z8294412	Sleeve-Shifter	1
		Incl. Index #1,3,5,14,15,30, 33 & 35)		86	C102507	Plug-Pipe (1/16 NPTF)	1
44	F034249	Bolt-Thru	2	*139	F815350	Muffler Complete	1
47	S013073	Nut-Thru Bolt	2			(incl. Index #140,145,146 & 147)	
49	R051355	Pawl	2	140	F815448	Muffler Assembly	1
50	R085890	Spring-Pawl	2			(incl. Index #141,142,144,148 & 149)	
51	F816123	Ring-Ratchet	1	141	R132710	Muffler	1
59	R106529	Cylinder Assy	1	142	R132741	Rotation Release Button Assy	2
		(Incl. Index #24,26,49-51,60,61,65, & 138)		143	C045689	O-Ring	2
60	R085896	Cylinder	1	144	R132721	Muffler Plug Assembly	1
61	F816122	Piston	1	145	R132714	Dead Handle	1
65	R051356	Bushing-Cylinder	1	146	R132715	Clamping Washer	1
66	F815343	Excluder-Dust	1	147	R132716	Depth Gauge	1
69	Z8375412	Sleeve-Retainer	1	148	R132717	Cap Screw (1/4-28 x 2)	6
				149	R132718	Washer	6

CP-9RR / CP-9RR-S HANDRIL Model "C-0"
LEFT HAND ROTATION

All Threads Are Right Hand Unless Otherwise Specified.



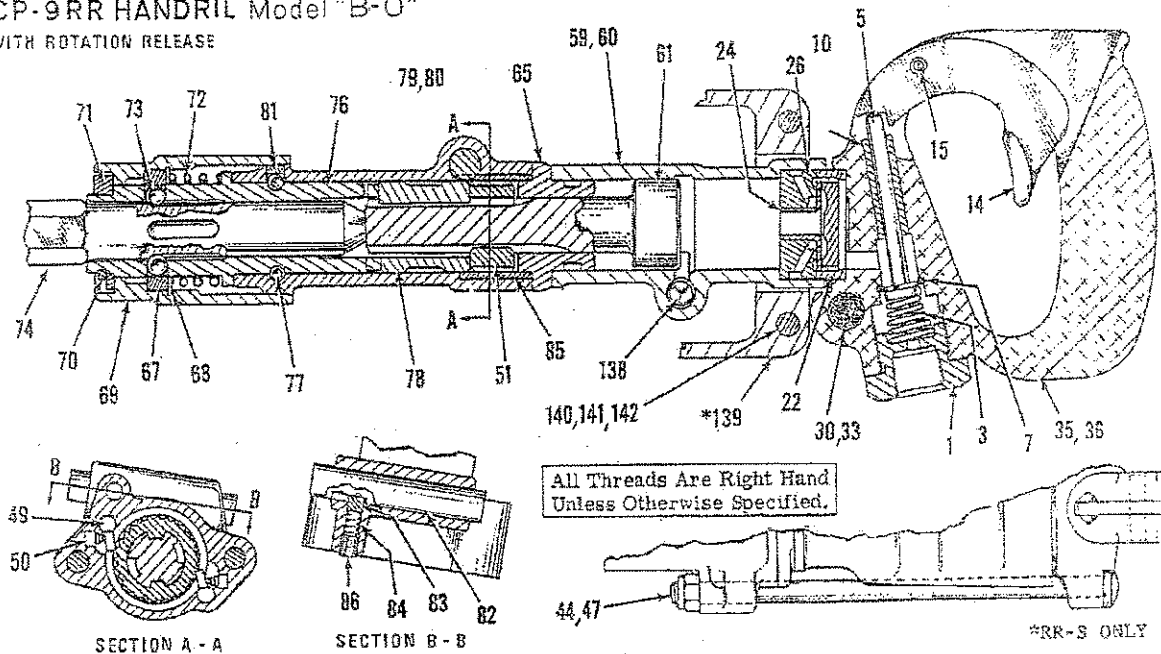
Index No.	Part No.	Description	No Req'd
1	R085893	Bushing-Air Inlet (3/8" Inlet)	1
3	R085896	Spring-Throttle Valve	1
5	R086329	Valve-Throttle	1
7	R085098	Seat-Throttle Valve	1
10	R085599	Bushing-Throttle Valve Stem	1
14	R086958	Lever-Throttle	1
15	A043627	Pin-Throttle Lever	1
22	R085895	Seat-Rear Valve	1
24	R085897	Valve	1
26	R085898	Seat-Front Valve	1
30	R085895	Felt-Oil Chamber	1
33	C077941	Plug-Pipe (3/8")	1
35	R278002	Handle (incl: 7 & 10)	1
36	R278018	Handle Complete (incl: 1,3,5,14,15,30,33 & 35)	1
44	F034249	Bolt-Thru	2
47	S013073	Nut-Thru Bolt	2
49	R051355	Pawl	2
50	R085890	Spring-Pawl	2
51	R085892	Ring-Ratchet	1
59	R106529	Cylinder Assembly (incl: 24,26,49-51,60,61,65 & 138)	1
60	R085896	Cylinder	1
61	R000119	Piston	1
65	R051356	Bushing-Cylinder	1
66	R132725	Excluder-Dust	1
67	R278007	Bushing-Steel Retainer Ball	1
68	R278008	Ring-Retainer	1
69	R132724	Sleeve-Retainer (incl: 67 & 68)	1

Index No.	Part No.	Description	No Req'd
70	R278009	Ring-Retainer	1
71	R278010	Plate-Retainer	1
72	R085805	Spring-Sleeve Retainer	1
73	P070416	Ball-Steel (5/16" Dia)	4
74		Bit (See pages 25 & 26)	1
76	R278011	Chuck	1
77	R278012	Ball-Chuck Retainer	17
78	R085900	Sleeve-Chuck	1
79	R278013	Front Head	1
81	R278014	Plug-Ball Retainer	1
82	R051351	Plunger-Shifter	1
83	Z5294412	Plunger-Shifter Detent	1
84	R051353	Spring-Plunger	1
85	R051354	Sleeve-Shifter	1
86	C102507	Plug-Pipe (1/16" NPTF)	1
*139	R132740	Muffler Complete (incl: 140,145,146 & 147)	1
140	R132739	Muffler Assembly (incl: 141,142,144,148 & 149)	1
141	R132710	Muffler	1
142	R132741	Rotation Release Button (incl: 143)	2
143	C045689	O-Ring	2
144	R132721	Muffler Plug Assembly	1
145	R132714	Dead Handle	1
146	R132715	Clamping Washer	1
147	R132716	Depth Gauge	1
148	R132717	Cap Screw	6
149	R132718	Washer	6

Crowder Supply Co., Inc. 8495 Roslyn St Commerce City, CO 80022 (303) 433-5144 FAX: (303) 433-3928 Toll Free: (888) 883-5144 www.crowdersupply.com

CP-9RR HANDRILL Model "B-O"

WITH ROTATION RELEASE



Index No.	Part No.	Description	No Req'd	Index No.	Part No.	Description	No Req'd
1	R085893	Bushing-Air Inlet (3/8" Inlet)	1	65	R051356	Bushing-Cylinder	1
3	R085596	Spring-Throttle Valve	1	67	Z8375412	Bushing-Steel Retainer Ball	1
5	R086329	Valve-Throttle	1	68	R086567	Ring-Retainer	1
7	R086098	Seat-Throttle Valve	1	69	Z8375412	Sleeve-Retainer (incl: 67 & 68)	1
10	F815426	Bushing-Throttle Valve Stem	1	70	F826893	Ring-Retainer	1
14	F027853	Lever-Throttle	1	71	F826893	Plate-Retainer	1
15	A043627	Pin-Throttle Lever	1	72	R086605	Spring-Sleeve Retainer	1
22	R085896	Seat-Rear Valve	1	73	P070418	Ball-Steel (5/16" Dia)	4
24	R085897	Valve	1	74		Bit (see page 4)	1
26	R085898	Seat-Front Valve	1	76	F836892	Chuck	1
30	R085895	Felt-Oil Chamber	1	77	3315 1294 00	Ball-Chuck Retainer	17
33	C036642	Plug-Pipe (3/8")	1	78	R085900	Sleeve-Chuck	1
35	R278018	Handle (incl: 7 & 10)	1	79	F827147	Front Head	1
36	R278018	Handle Complete (incl: 1,3,5,14,15,30,33 & 35)	1	81	F051888	Plug-Ball Retainer	1
44	F034249	Bolt-Thru	2	82	R051351	Plunger-Shifter	1
47	S013073	Nut-Thru Bolt	2	83	Z8294412	Plunger-Shifter Detent	1
49	R051355	Pawl	2	84	R051353	Spring-Plunger	1
50	R085890	Spring-Pawl	2	85	R051354	Sleeve-Shifter	1
51	R085892	Ring-Ratchet	1	88	C102507	Plug-Pipe (1/16" NPTF)	1
59	R106528	Cylinder Assembly (incl: 24,26,49-51,60,61,65 & 13)	1	138	C068799	Plug-Pipe (1/4" NPTF)	1
60	R085886	Cylinder	1	139	R278118	Muffler (incl: 140,141, & 142)	1
61	R000119	Piston	1	148	F082292	Cap Screw	4
				149	R278120	Washer	8
				150	C037118	Lock Nut	4

The CP-9RR Handrill Kit R117174 for Model B-O includes one each of the following:

CP-9RR Handrill

R048723	(3/4" gauge) 8" drilling depth, tungsten carbide tipped drill steel
R054687	Chuck Shank for use in driving Phillips self-drilling anchors
R085917	Moil Point
R085914	Flat Chisel (1")
S069343	Allen Wrench
R000784	Single End Wrench
R087975	Pint Can of Oil
R086100	Metal Carrying Case

The CP-9 RR handrill Kit R132722 for Models "C-O" and "D-N" includes one of each of the following:

CP-9RR Handrill

F815448	Muffler Assembly
R132714	Dead Handle
R132715	Clamping Washer
R132716	Depth Gauge
R132118	Chuck Shank for use in driving Phillips self-drilling anchors
R085914	Flat Chisel (1")
R132719	Safety Goggles
R132720	Shank 3" drilling depth for use with TC bits
R132727	9/16" 4-point cross TC bit
R132728	11/16" 4-point cross TC bit
P070314	5/16" Allen Wrench
R132723	Plastic Carrying Case