



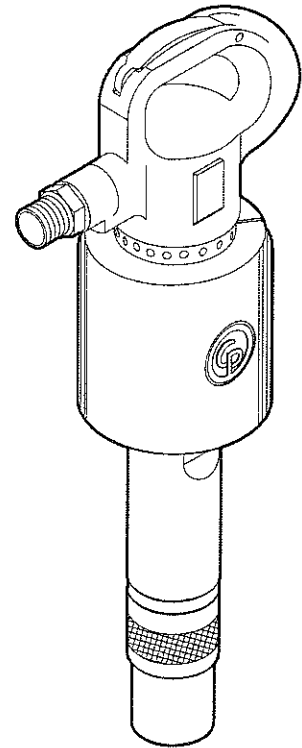
**Chicago
Pneumatic**

Crowder Supply Co., Inc. 8495 Roslyn St Commerce City, CO 80022 (303) 433-5144 FAX: (303) 433-3928 Toll Free: (888) 883-5144 www.crowdersupply.com

Spare parts list

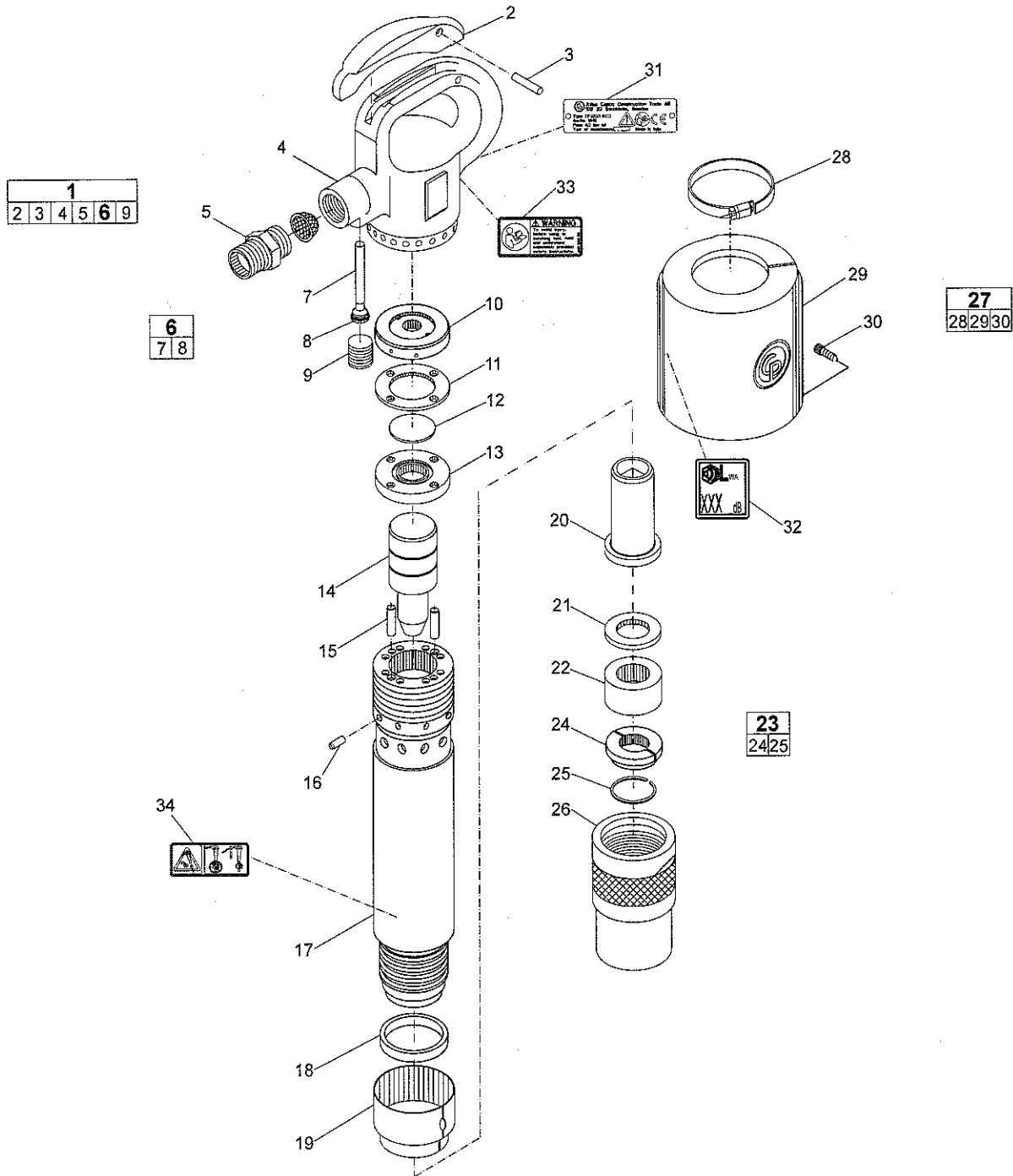
Handheld pneumatic clay diggers

CP FL 0022 S, CP FL 0022



Spare parts list

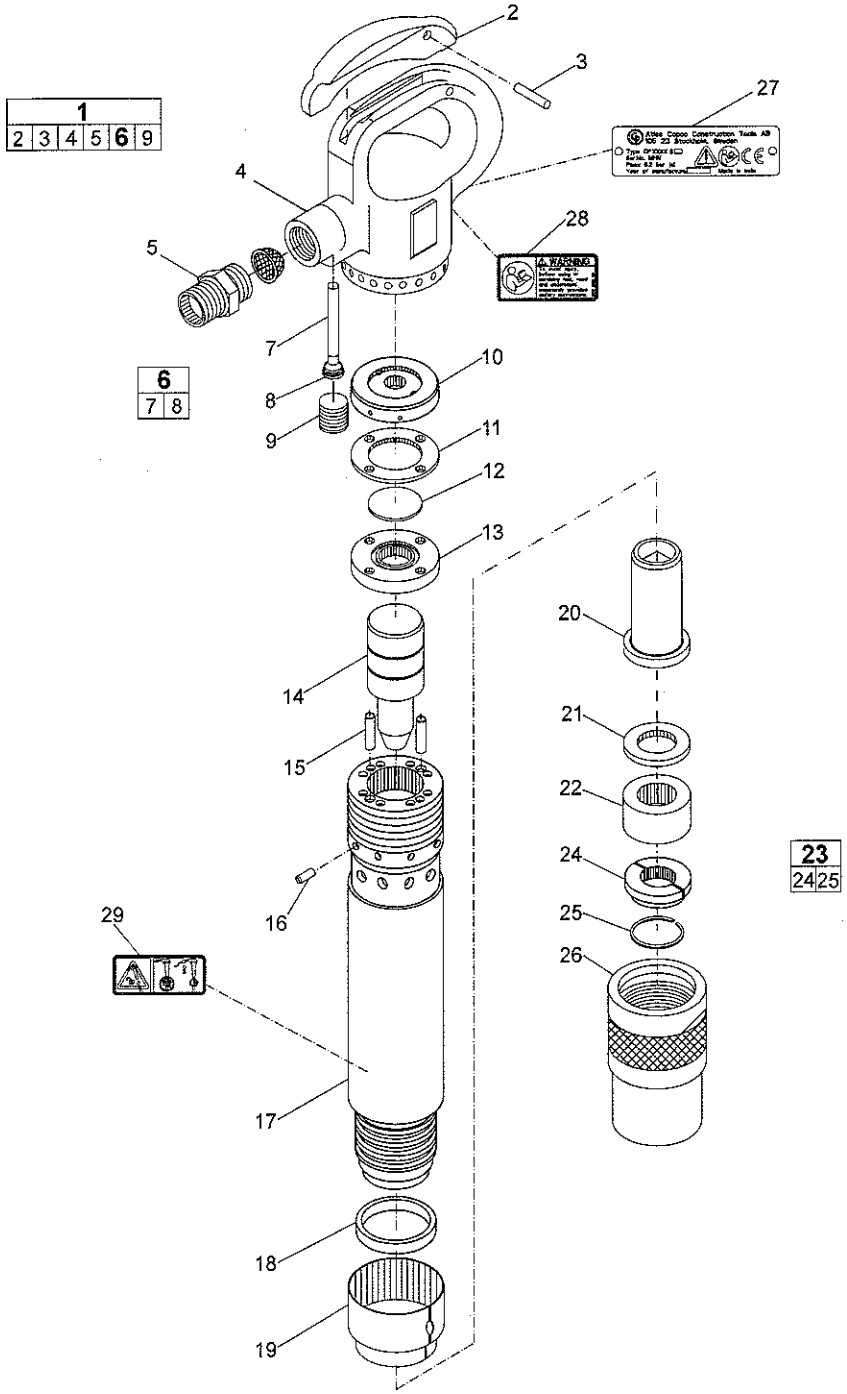
CP FL 0022 S



Crowder Supply Co, Inc. 8495 Roslyn St Commerce City, CO 80022 (303) 433-5144 FAX: (303) 433-3928 Toll Free: (888) 883-5144 www.crowdersupply.com

No.	Description	Remark	Quantity	Part number
1(2-5,6,9)	Handle, complete		1	F027831
2	Throttle lever		1	F011471
3	Throttle lever pin		1	F011472
4	Handle		1	-
5	Nipple with gauze		1	F035769
6(7-8)	Throttle valve, complete		1	F011476
7	Throttle valve		1	-
8	O-ring		1	CA088867
9	Throttle plug		1	C059643
10	Upper valve case lid		1	F012657
11	Valve case		1	F012658
12	Valve		1	F012659
13	Lower valve case lid		1	F012656
14	Piston		1	F026357
15	Dowel pin		2	F012670
16	Handle lock pin		1	F001919
17	Cylinder		1	-
18	Retainer locking ring		1	F035269
19	Exhaust deflector		1	F012747
20	Tool bushing	Square 3/4 in. x 3/4 Square 19 x 82 mm	1	F026354
21	Leather buffer		1	P006346
22	Rubber buffer		1	F814522
23(24-25)	Spade retainer collar, complete		1	P007331
24	Spade retainer		1	-
25	Retainer ring		1	-
26	Spade retainer sleeve		1	F035274
27(28-30)	Muffler, complete		1	F814201
28	Hose clamp		1	P052726
29	Muffler		1	-
30	Screw		4	R140630
31	Data plate		1	-
32	Sound power label		1	-
33	Safety label		1	3310 1602 00
34	Eject warning label		1	3310 1572 00

CP FL 0022



Crowder Supply Co, Inc. 8495 Roslyn St Commerce City, CO 80022 (303) 433-5144 FAX: (303) 433-3928 Toll Free: (888) 863-5144 www.crowdersupply.com

No.	Description	Remark	Quantity	Part number
1(2-5,6,9)	Handle, complete		1	F027831
2	Throttle lever		1	F011471
3	Throttle lever pin		1	F011472
4	Handle		1	-
5	Nipple with gauze		1	F035769
6(7-8)	Throttle valve, complete		1	F011476
7	Throttle valve		1	-
8	O-ring		1	CA088867
9	Throttle plug		1	C059643
10	Upper valve case lid		1	F012657
11	Valve case		1	F012658
12	Valve		1	F012659
13	Lower valve case lid		1	F012656
14	Piston		1	F026357
15	Dowel pin		2	F012670
16	Handle lock pin		1	F001919
17	Cylinder		1	-
18	Retainer locking ring		1	F035269
19	Exhaust deflector		1	F012747
20	Flange bushing		1	F026354
21	Leather buffer		1	P006346
22	Rubber buffer		1	F814522
23(24-25)	Spade retainer collar, complete		1	P007331
24	Spade retainer		1	-
25	Retainer ring		1	-
26	Spade retainer sleeve		1	F035274
27	Data plate		1	-
28	Safety label		1	3310 1602 00
29	Eject warning label		1	3310 1572 00

Crowder Supply Co, Inc. 8495 Roslyn St Commerce City, CO 80022 (303) 433-5144 FAX: (303) 433-3928 Toll Free: (888) 883-5144 www.crowdersupply.com

Accessories

Hose rolls

Metric

Description	Inner diameter (mm)	Thickness (mm)	Maximum working pressure (bar)	Length of roll (m)	Weight (kg)	Part number
Red-X hose roll	19	2.0	20	60	11	8900 0050 10
Red-X hose roll	19	2.0	20	100	18	8900 0050 11
Red-X hose roll	19	2.0	20	200	36	8900 0050 12
Red-X hose roll	25	2.5	20	60	15	8900 0050 20
Red-X hose roll	25	2.5	20	100	25	8900 0050 21
Red-X hose roll	25	2.5	20	200	50	8900 0050 22

Imperial

Description	Inner diameter (in.)	Thickness (in.)	Maximum working pressure (psi)	Length of roll (ft)	Weight (lb)	Part number
Red-X hose roll	¾	¼	290	195	24.3	8900 0050 10
Red-X hose roll	¾	¼	290	325	39.7	8900 0050 11
Red-X hose roll	¾	¼	290	650	79.4	8900 0050 12
Red-X hose roll	1	⅜	290	195	33.1	8900 0050 20
Red-X hose roll	1	⅜	290	325	55.1	8900 0050 21
Red-X hose roll	1	⅜	290	650	110.2	8900 0050 22

Pre-mounted universal hoses with claw couplings

Metric

Description	Inner diameter (mm)	Thickness (mm)	Maximum working pressure (bar)	Length of roll (m)	Weight (kg)	Part number
Red-X universal hose	19	2.0	20	20	4.5	8900 0050 09
Red-X universal hose	25	2.5	20	20	6.0	8900 0050 23

Imperial

Description	Inner diameter (in.)	Thickness (in.)	Maximum working pressure (psi)	Length of roll (ft)	Weight (lb)	Part number
Red-X universal hose	¾	¼	290	50	8.8	8900 0050 08
Red-X universal hose	1	⅜	290	50	11.0	8900 0050 24

Water separator

Metric

Description	Hose connection (mm)	Air flow (l/s)	Weight (kg)	Part number
Water separator (¾" BSP)	20	61	0.8	8900 0050 00

Imperial

Description	Hose connection (in.)	Air flow (foot ³ /min)	Weight (lb)	Part number
Water separator (¾" NPT)	¾	130	1.8	8900 0050 01

Lubricator

Metric

Description	Hose connection (mm)	Air flow (l/s)	Oil volume (l)	Weight (kg)	Part number
Lubricator 1300 (1" BSP)	25	15-140	1.3	3	8900 0050 02

Imperial

Description	Hose connection (in.)	Air flow (foot ³ /min)	Oil volume (US gallon)	Weight (lb)	Part number
Lubricator 43 (1" NPT)	1	32-300	0.34	6.6	8900 0050 07

CP airolene plus tool oil

Metric

Description	Oil volume (l)	Part number
5 l container	5	8099 0202 49
4 x 5 l container	20	8099 0202 51

Imperial

Description	Oil volume (US gallon)	Part number
1.32 US gallon container	1.32	8099 0202 49
4 x 1.32 US gallon container	5.28	8099 0202 51