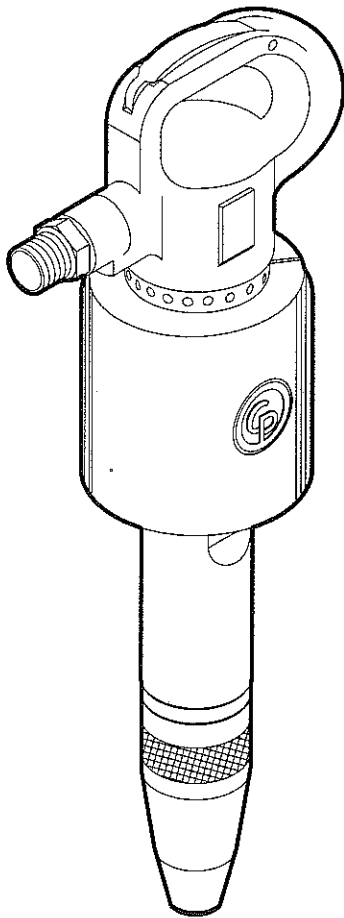


Spare parts list

FL 0025 VR & SVR Hammer



CROWDER SUPPLY CO, INC. - 8495 ROSLYN ST. - COMMERCE CITY, CO 80022 - TOLL FREE 888-883-5144 - www.crowdersupply.com

www.cp.com

 **Chicago
Pneumatic**



Introduction

Welcome! Protect your investment in the world's finest air tools. Use genuine CP replacement parts.

The purchase of replacement parts for your CP tools deserves the same good judgment that resulted in the purchase of the tools themselves. Each genuine CP part is made from carefully selected and inspected material, subjected to sophisticated machinery and finishing processes and heat-treated to produce just the right combination of hardness, ductility and impact resistance for its intended use. Each part is identical to, and made concurrently with, parts used in production tools.

The use of parts other than genuine CP replacement parts can lead to substandard performance, early failure, possible damage of other parts and, in some instances, unsafe conditions.

Use only authorized parts. Any damage or malfunction caused by unauthorized parts will not be covered by Warranty or Product Liability.

Any machine modification not approved by Chicago Pneumatics may result in serious injuries to yourself or others.

To reduce the risk of injury, read and understand the relevant safety and operating instructions before operating the machine.

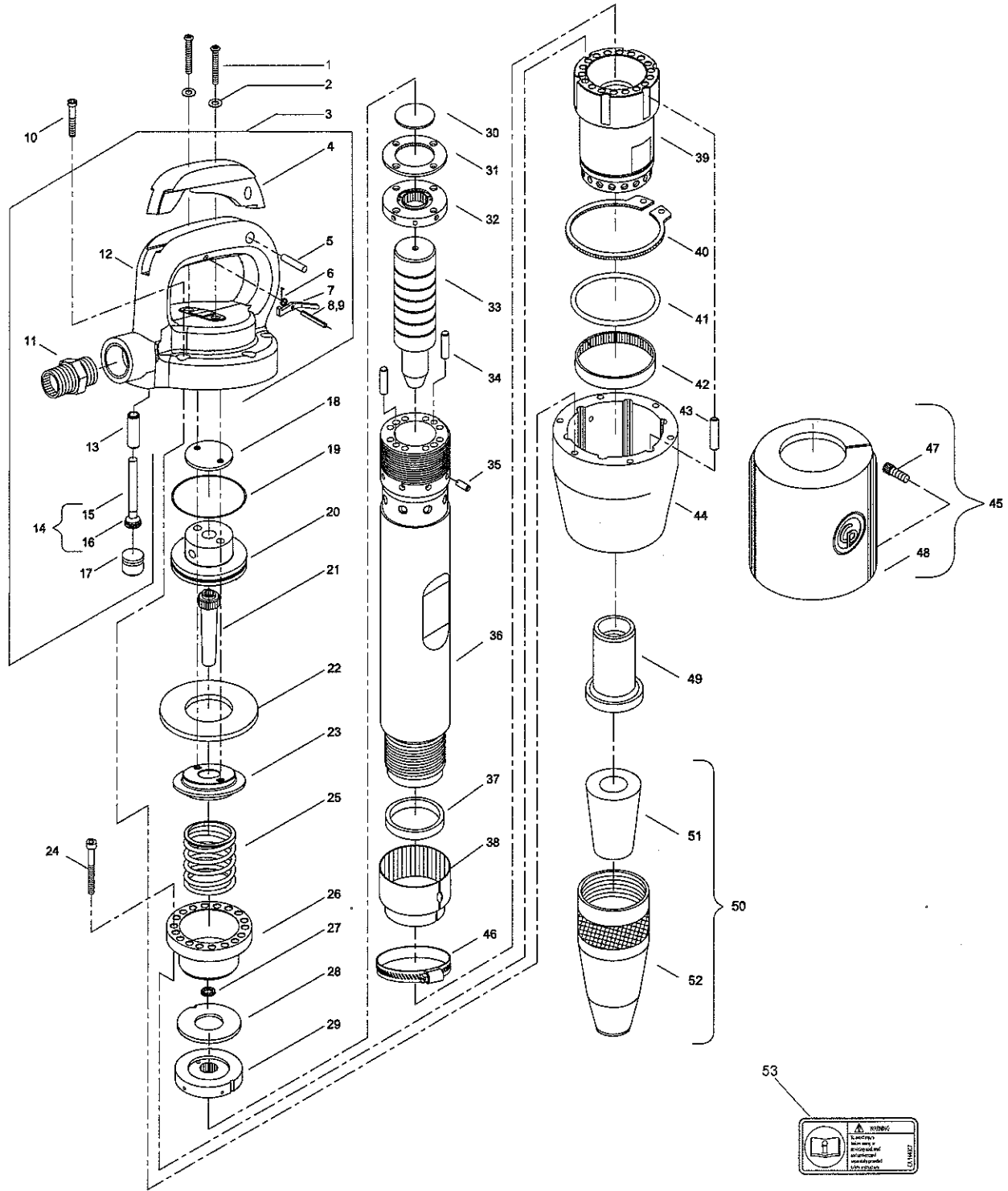
Before undertaking any maintenance or changing the working tool on pneumatic machines, always switch off the air supply and bleed the machine by depressing the start and stop device. Then disconnect the air hose from the machine.

FL 0025 is a pneumatic tool designed for trenching, tunneling, lateral and overhead work and light demolition in construction applications.

The machine can be used both horizontally and vertically. No other use is permitted.



CROWDER SUPPLY CO., INC. - 8495 ROSLYN ST. - COMMERCE CITY, CO 80022 - TOLL FREE 888-883-5144 - www.crowdersupply.com





Items marked ** are applicable to FL 25 SVR only.

No.	Ordering No.	Quantity	Description
1	R157972	2	Button head cap screw
2	Kf131560	2	Washer - flat
3	Z8768427	1	Handle complete (includes item No. 4, 5, 6, 7, 8, 9, 11, 12, 13, 14 & 17)
4	R157967	1	Throttle lever
5	F011472	1	Throttle lever pin
6	R157969	1	Lock-off spring
7	R157968	1	Lock-off trigger
8	R158137	1	Pin - lock-off trigger (5/32")
9	R158138	1	Pin - lock-off trigger (3/32")
10	C064807	6	Screw - socket head 1/4-20 x 1 1/2
11	F035769	1	Nipple with wire gauze
12	—*)	1	Handle
13	—*)	1	Throttle valve bush
14	F011476		Throttle valve (includes item No. 15, 16)
15	—*)	1	Throttle valve
16	CA088867	1	O-ring
17	C059643	1	Throttle plug
18	R157971	1	P. U. pad
19	C116352	1	O-ring
20	R157970	1	Handle spacer
21	P144652	1	Tube - air
22	H2320840	1	Buffer - top
23	D5091840	1	Buffer - plate
24	Q2885840	18	M6 x 40 12.9 Socket head cap screw
25	H3439427	1	Spring
26	C4309427	1	Isolator plate
27	H0295840	1	Seal air tube
28	H2326840	1	Buffer - bottom
29	R157128	1	Upper valve case lid
30	R157130	1	Valve
31	F012658	1	Valve case
32	R157129	1	Lower valve case lid
33	F011998	1	Piston
34	F012670	2	Dowel pin
35	F001919	1	Handle lock pin
36	—*)	1	Cylinder
37	F035269	1	Retainer locking ring
38	F012747	1	Exhaust deflector
39	C9204427	1	Adaptor - cylinder
40	R157978**)	1	Retaining ring
41	R157977	1	O-ring
42	R157976	1	Ring - bearing
43	Z8764427)	1	Roller guide kit (includes 6 rollers)
44	R157973	1	Isolator housing
45	F814201**)		Muffler complete (includes item No. 47 & 48)
46	P052726	1	Terryclip
47	R140630**)	4	Screw
48	—*) **)	1	Muffler
49	F011469	1	Tool bushing 1" round
50	Z8766427		Standard retainer conical complete (1" x 3 1/4") round (includes item No. 51 & 52)
51	R157730	1	Buffer
52	—*)	1	Retainer - conical
53	CA144007	1	Safety label

—*) Not delivered separately