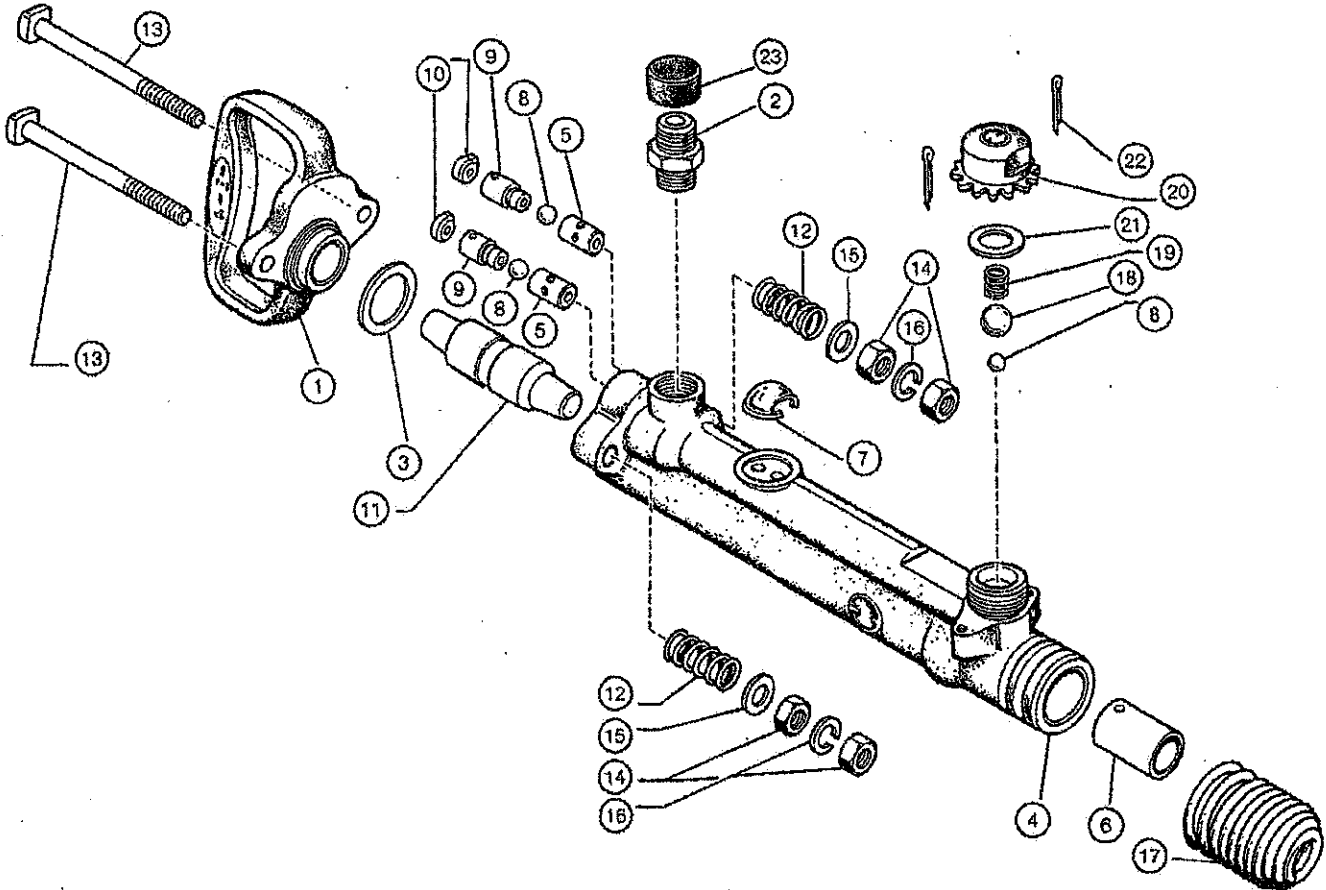


CONTINENTAL POWER TOOLS

MODEL CA-7

PICK HAMMER



INDEX NO.	PART NO.	DESCRIPTION	QUAN. RECD.
1	7880-10-001B	Handle	1
2	7880-10-402C	Hose Connection Nipple	1
3	7880-10-0030	Handle Washer	1
4	7880-10-150A	Cylinder (Incl. 7880-10-1520 2 pcs., 7880-10-153A)	1
5	7880-10-1520	Valve Bushing	2
6	7880-10-153A	Steel Bushing	1
7	7880-10-0510	Exhaust Cap	1
8	9961-14-7500	Valve Ball	3
9	7880-10-370A	Valve Cover Bushing	2
10	7880-10-072B	Rubber Washer	2
11	7880-10-103A	Piston	1
12	7898-17-0540	Side Bolt Spring	2
13	7880-10-1220	Side Bolt	2
14	9913-74-0130	Hex. Nut	4
15	9920-14-0000	Side Bolt Washer	2
16	9920-14-0000	Spring Washer	2
17	7898-17-0580	Retainer Spring	1
18	9960-17-5000	Valve Ball	1
19	7898-17-0340	Pressure Spring	1
20	7880-10-172B	Valve Cover	1

INDEX NO.	PART NO.	DESCRIPTION	QUAN. RECD.
21	7896-02-2030	Gasket	1
22	9922-15-0280	Split Pin	1

ACCESSORIES (NOT PICTURED)

9835	Inlet Swivel
9841	Moil Point 9" Length
9842	Moil Point 12" Length
9843	Moil Point 14" Length
9844	Moil Point 20" Length
9845	Moil Point 36" Length
9851	Narrow Chisel 1" Wide 9" Length
9852	Narrow Chisel 1" Wide 12" Length
9853	Narrow Chisel 1" Wide 14" Length
9854	Narrow Chisel 1" Wide 20" Length
9861	Asphalt Cutter 3" Wide 14" Length w/ Spring
9871	Clay Spade 4" Wide 14" Length w/ Spring
9881	1 pc. Bushing Tool, 1-3/4" Sq. Head, 14" Length w/ Spring
9891	Ripper 8" Length