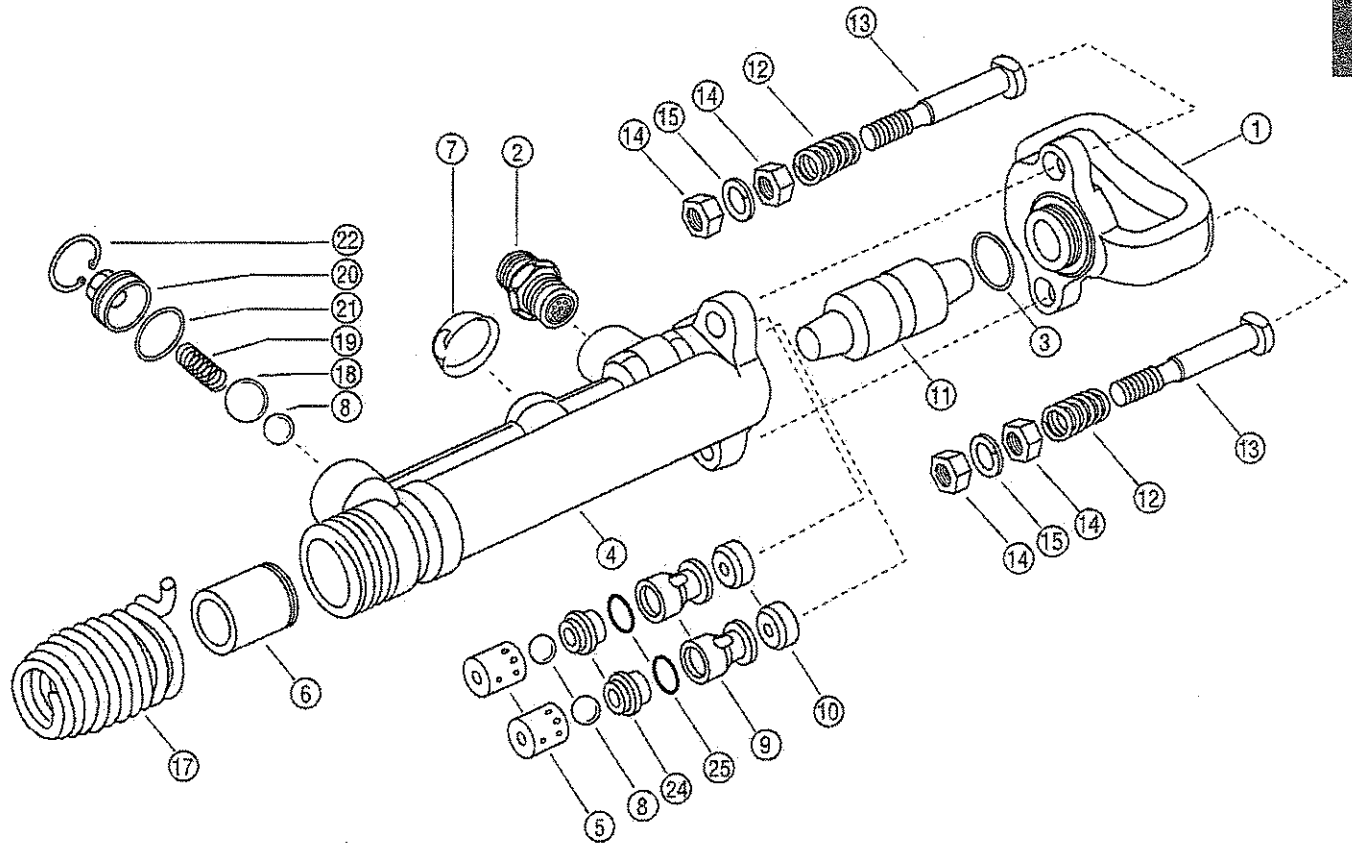


# MODEL CA-7A

# CONTINENTAL POWER TOOLS

## PICK HAMMER

1



INDEX NO.	PART NO.	DESCRIPTION	QUAN. REQD.
1	8101	Handle	1
2	8121	Hose Connection Nipple	1
3	8102	Handle O-Ring	1
4	8103	Cylinder	1
5	8123	Valve Bushing	2
6	8104	Shank Bushing	1
7	8120	Exhaust Cap	1
8	8110	Valve Ball -Small	3
9	8126	Valve Bushing Cover	2
10	8108	Rubber Washer	2
11	8105	Piston	1
12	8118	Side Bolt Spring	2
13	8115	Side Bolt	2
14	8116	Lock Nut	4
15	8117	Spring Washer	2
17	8119	Retainer Spring	1
18	8109	Valve Ball -Large	1
19	8111	Pressure Spring	1
20	8112	Valve Cover	1
21	8113	Valve Cover O-Ring	1
22	8114	Snap Ring	1

INDEX NO.	PART NO.	DESCRIPTION	QUAN. REQD.
24	8124	Valve Seat	1
25	8125	Valve Seat O-Ring	1

### ACCESSORIES (NOT PICTURED)

9835	Inlet Swivel
9841	Moil Point 9" Length
9842	Moil Point 12" Length
9843	Moil Point 14" Length
9844	Moil Point 20" Length
9845	Moil Point 36" Length
9851	Narrow Chisel 1" Wide 9" Length
9852	Narrow Chisel 1" Wide 12" Length
9853	Narrow Chisel 1" Wide 14" Length
9854	Narrow Chisel 1" Wide 20" Length
9861	Asphalt Cutter 3" Wide 14" Length w/ Spring
9871	Clay Spade 4" Wide 14" Length w/ Spring
9881	1 pc. Bushing Tool, 1-3/4" Sq. Head, 8" Length w/ Spring
9891	Ripper 8" Length