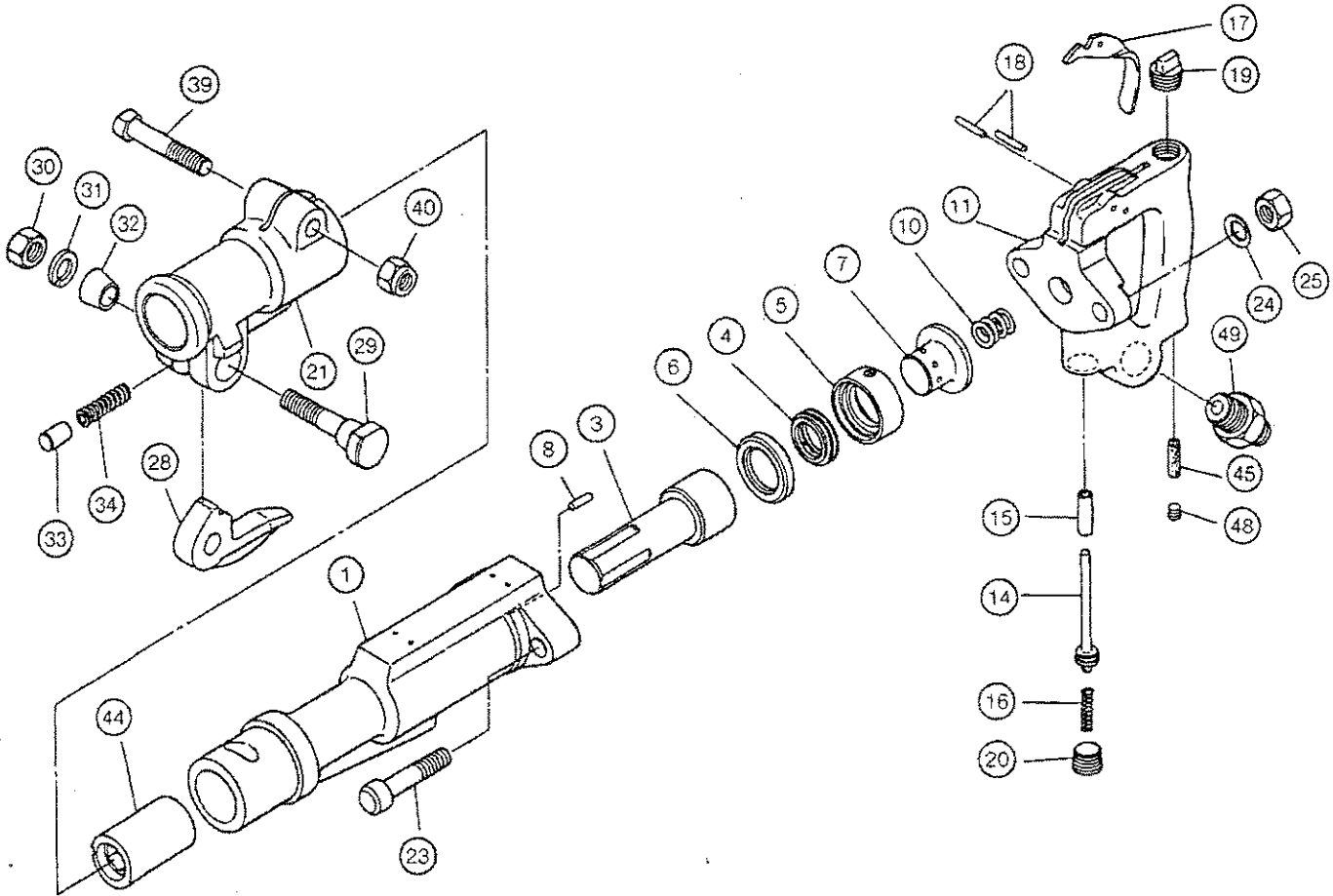


CONTINENTAL POWER TOOLS

MODEL CCD-20A

CLAY DIGGER



CROWDER SUPPLY CO. INC. - 8495 ROSLYN ST. - COMMERCE CITY, CO 80022 - TOLL FREE 888-883-5144 - www.crowdersupply.com

INDEX NO.	PART NO.	DESCRIPTION	QUAN. REQD.
1	6801	Cylinder	1
3	6803	Piston	1
4	6804	Valve	1
5	6805	Valve Chest	1
6	6806	Valve Seat	1
7	6807	Valve Guide	1
8	6308	Valve Chest Dowel Pin	1
10	6810	Plunger Spring	1
11	6811	Back Head Bare	1
	6811-D	Back Head Complete	1
14	6814	Throttle Valve	1
15	6815	Throttle Valve Bushing	1
16	6816	Throttle Valve Spring	1
17	6817	Throttle Lever	1
18	6818	Throttle Lever Pin	2
19	6819	Oil Reservoir plug	1
20	6820	Throttle Valve Plug	1

INDEX NO.	PART NO.	DESCRIPTION	QUAN. REQD.
21	6321	Front Head Bare	1
23	6823	Back Head Bolt	2
24	6824	Back Head Bolt Lock Washer	2
25	6825	Back Head Bolt Nut	2
28	6328	Steel Retainer Lever	1
29	6329	Steel Retainer Bolt	1
30	6330	Steel Retainer Nut	1
31	6331	Steel Retainer Lock Washer	1
32	6332	Steel Retainer Bolt Bushing	1
33	6333	Steel Retainer Plunger	1
34	6334	Steel Retainer Plunger Spring	1
39	6339	Front Head Bolt	1
40	6340	Front Head Bolt Nut	1
44	6844	Sleeve Bushing (7/8" x 3-1/4")	1
44	6645	Oil Control Felt	1
48	6848	Oil Control Plug	1
49	6849	Air Inlet Bushing	1