

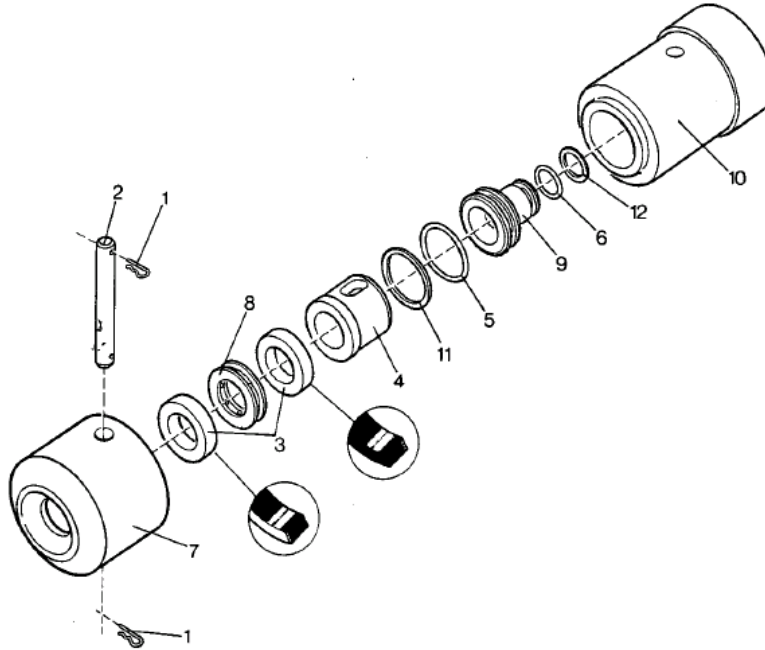
# SWELLEX DRIVERS

# PARTS BOOK

# STANDARD SWELLEX CHUCK

CHUCK / CHUCK

3217 7634 80



E0000463

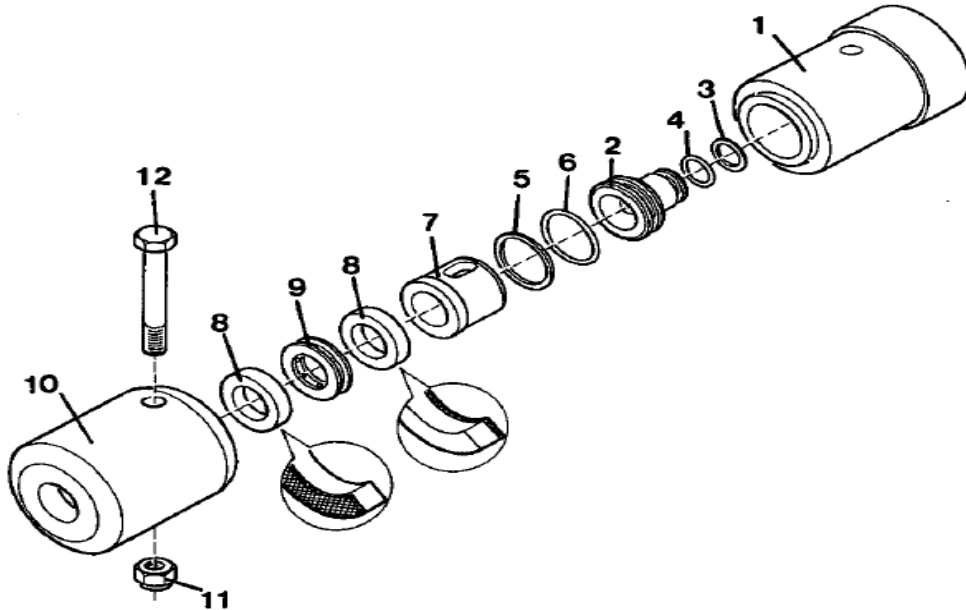
16

Ref #	Atlas Copco Part #	Qty	Description
1	3217763200	2	Pin
2	9753200419	1	Shaft
3	9106153700	2	Seal Ring
4	3125503000	1	Spacer Ring
5	0663213200	1	O-ring
6	0663212500	1	O-ring
7	9753200417	1	Chuck Cover
8	3125502900	1	Ring
9	3125503100	1	Piston
10	3125502800	1	House
11	0661152700	1	Back-up Ring
12	0661152000	1	Back-up Ring
	<b>9753200314</b>		<b>Standard w/Machined Head</b>

# SUPER SWELLEX CHUCK

CHUCK / CHUCK

9110 9392 00



B0000765

12

Ref #	Atlas Copco Part #	Qty	Description
1	9110939100	1	House
2	6003667500	1	Piston
3	0663212800	1	O-ring
4	0661150036	1	Back Up Ring
5	0663213400	1	O-ring
6	0661150037	1	Back Up Ring
7	9110939000	1	Spacer Ring
8	6003667200	2	Seal
9	6003667300	1	Ring
10	9753200418	1	Chuck Cover
11	0266211400	1	Nut
12	0147149203	1	Screw Hex Head
	<b>9753200315</b>		<b>Super w/Machined head</b>

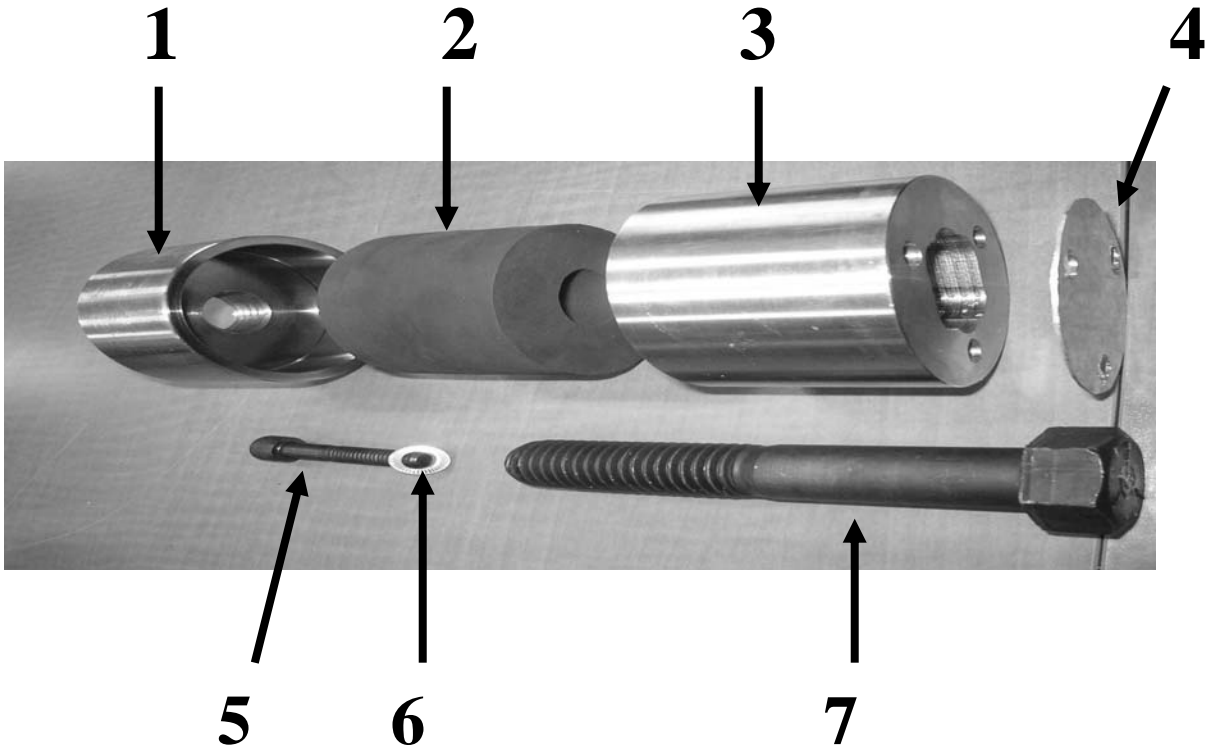
Atlas Copco Construction and Mining USA – Nevada Branch

355 West River Street  
Elko, NV 89801 USA

Telephone:  
(775) 777-2204

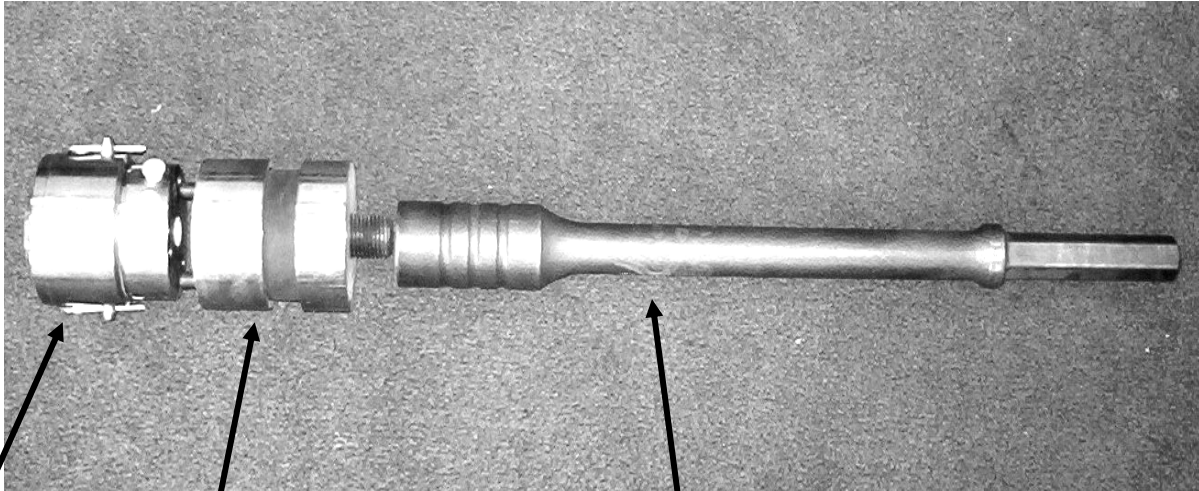
Fax:  
(775) 777-9448

# BASE UNIT



Ref #	Atlas Copco Part #	Qty	Description
1	9753200300	1	Bottom Base
2	9753200301	1	Rubber
3	9753200302	1	Top Base
4	9753200338	1	Dirt Shield
5	9753200304	3	Bolt 10x50 mm
6	9753200337	3	10 mm Nordlock Washer
7	9753200303	1	Bolt 1''x4.5''
	<b>9753200339</b>		<b>Complete Base Unit</b>

## MACLEAN STYLE



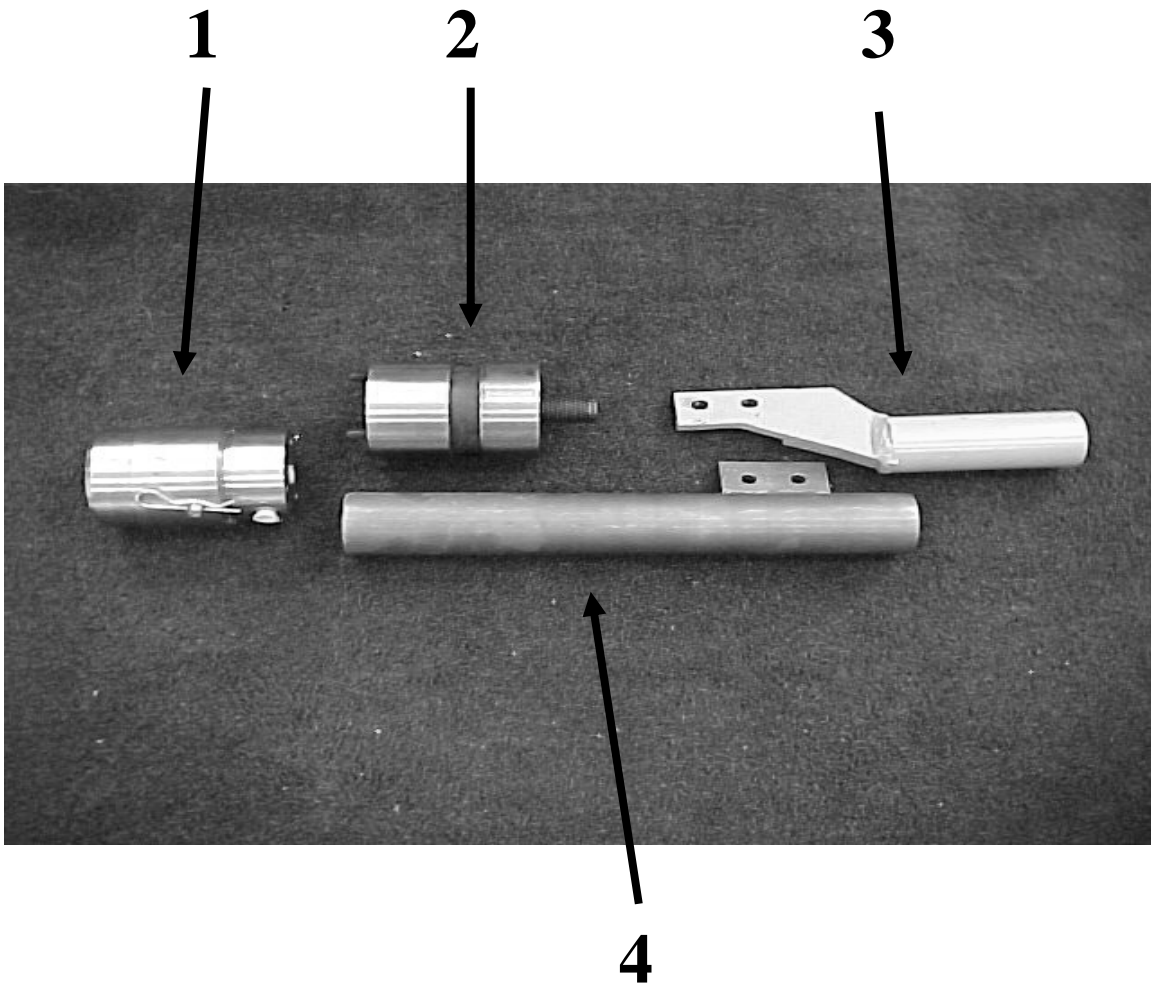
**1**

**2**

**3**

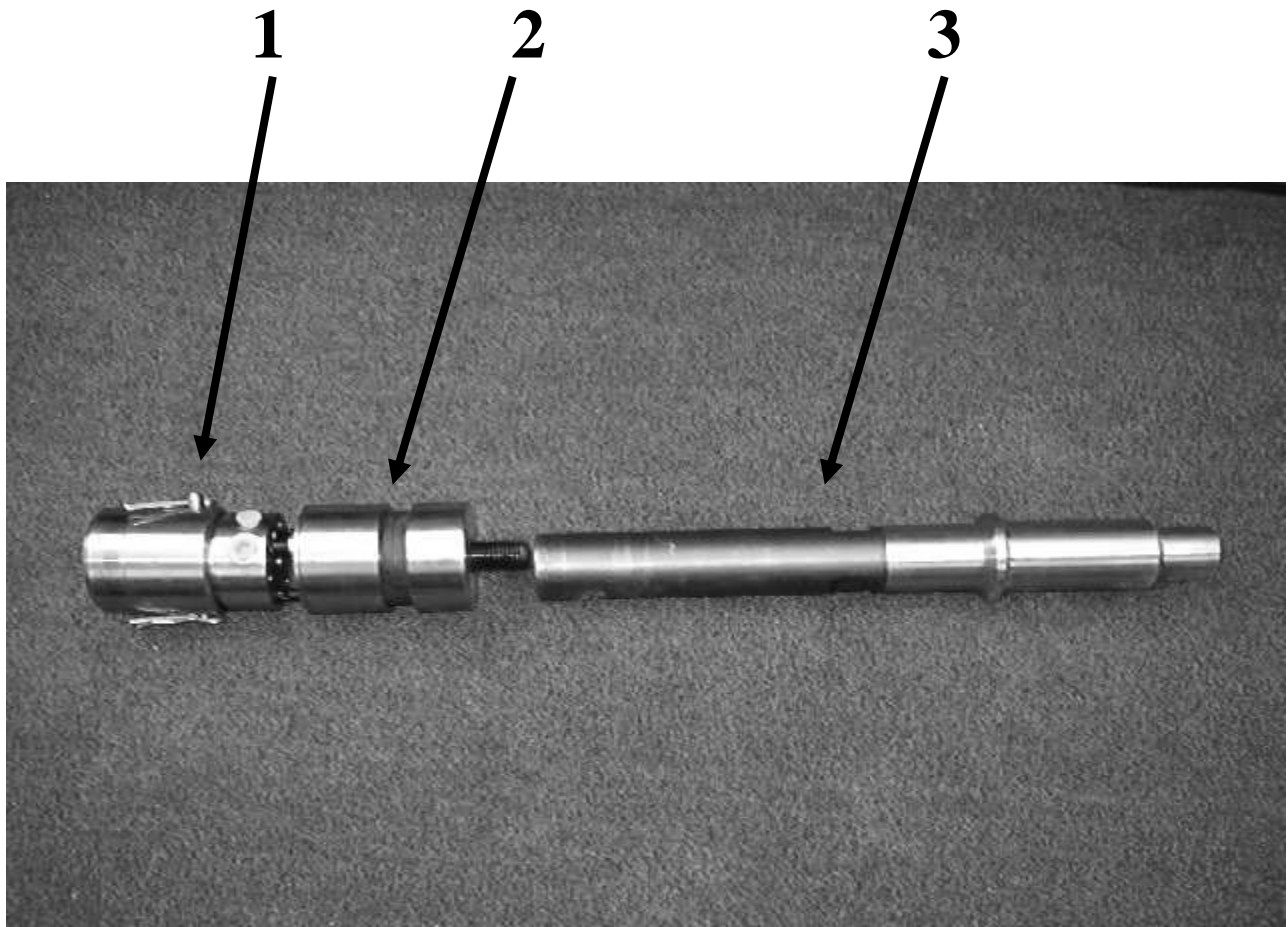
Ref #	Atlas Copco Part #	Qty	Description
1	9753200314	1	Standard w/Machining
1	9753200315	1	Super w/Machining
2	9753200339	1	Base Unit
3	9753200308	1	Maclean Driver
	9753200309	1	Complete Unit Standard
	9753200317	1	Complete Unit Super

**SECOMA STYLE**



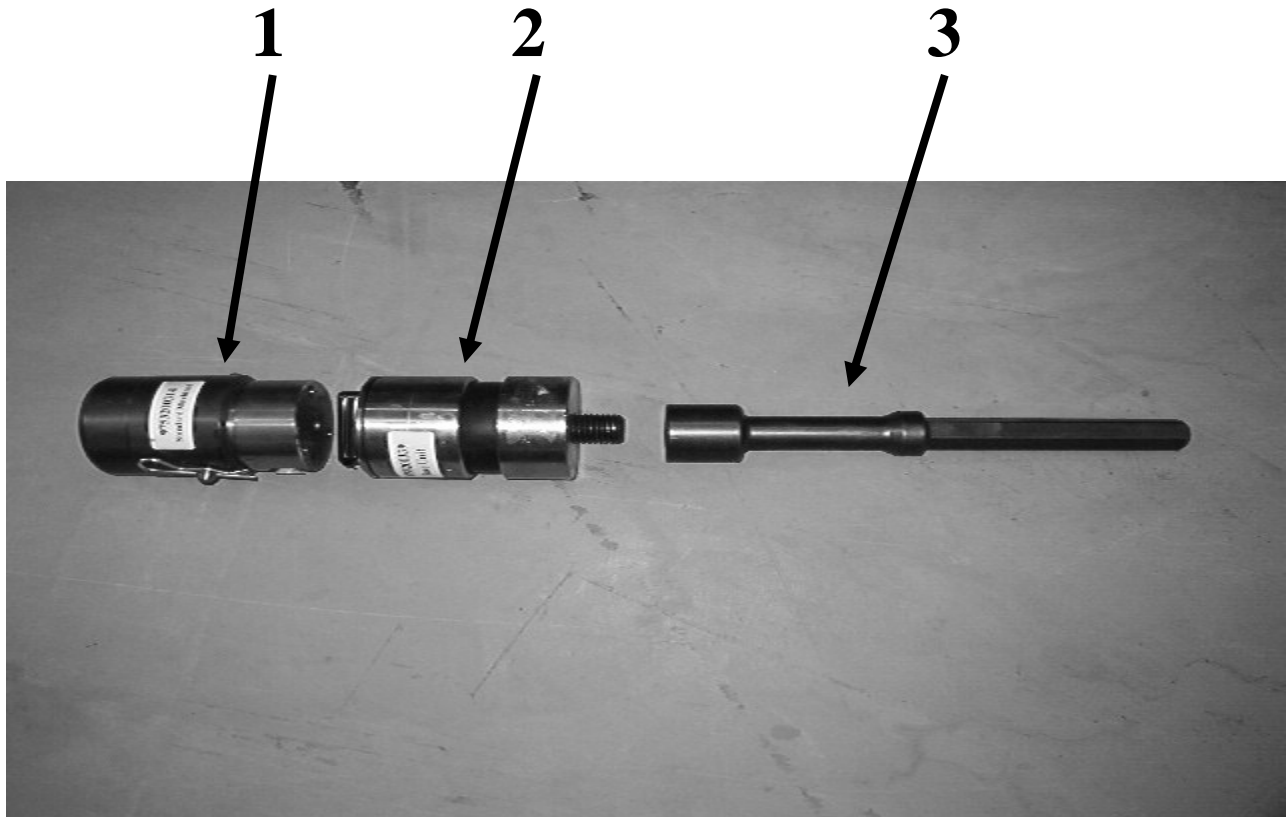
Ref #	Atlas Copco Part #	Qty	Description
1	9753200314	1	Standard w/Machining
2	9753200339	1	Base Unit
3	9753200305	1	Flushing Head Holder
4	9753200299	1	R-38 Coupler 15"
	9753200306	1	Complete w/15" Unit
4	9753200792	1	R-38 Coupler 10"
	9753201086	1	Complete w/10" unit

**SWT13 STYLE**



<b>Ref #</b>	<b>Atlas Copco Part #</b>	<b>Qty</b>	<b>Description</b>
1	9753200314	1	Standard w/Machining
2	9753200339	1	Base Unit
3	9753200371	1	SWT13 Driver 18"
	9753200402	1	Complete 18"w/SWT13
3	9753200945	1	SWT13 Driver 29"
	9753201087	1	Complete 29"w/SWT13

**ATLAS COPCO STYLE**



Ref #	Atlas Copco Part #	Qty	Description
1	9753200314	1	Standard w/Machining
2	9753200339	1	Base Unit
3	9753200568	1	14" OAL Driver
	9753200735	1	A/C Complete 14" Standard
	9753200736	1	A/C Complete 14" Super
3	9753201084	1	12" OAL Driver
	9753201085	1	A/C Complete 12" Standard