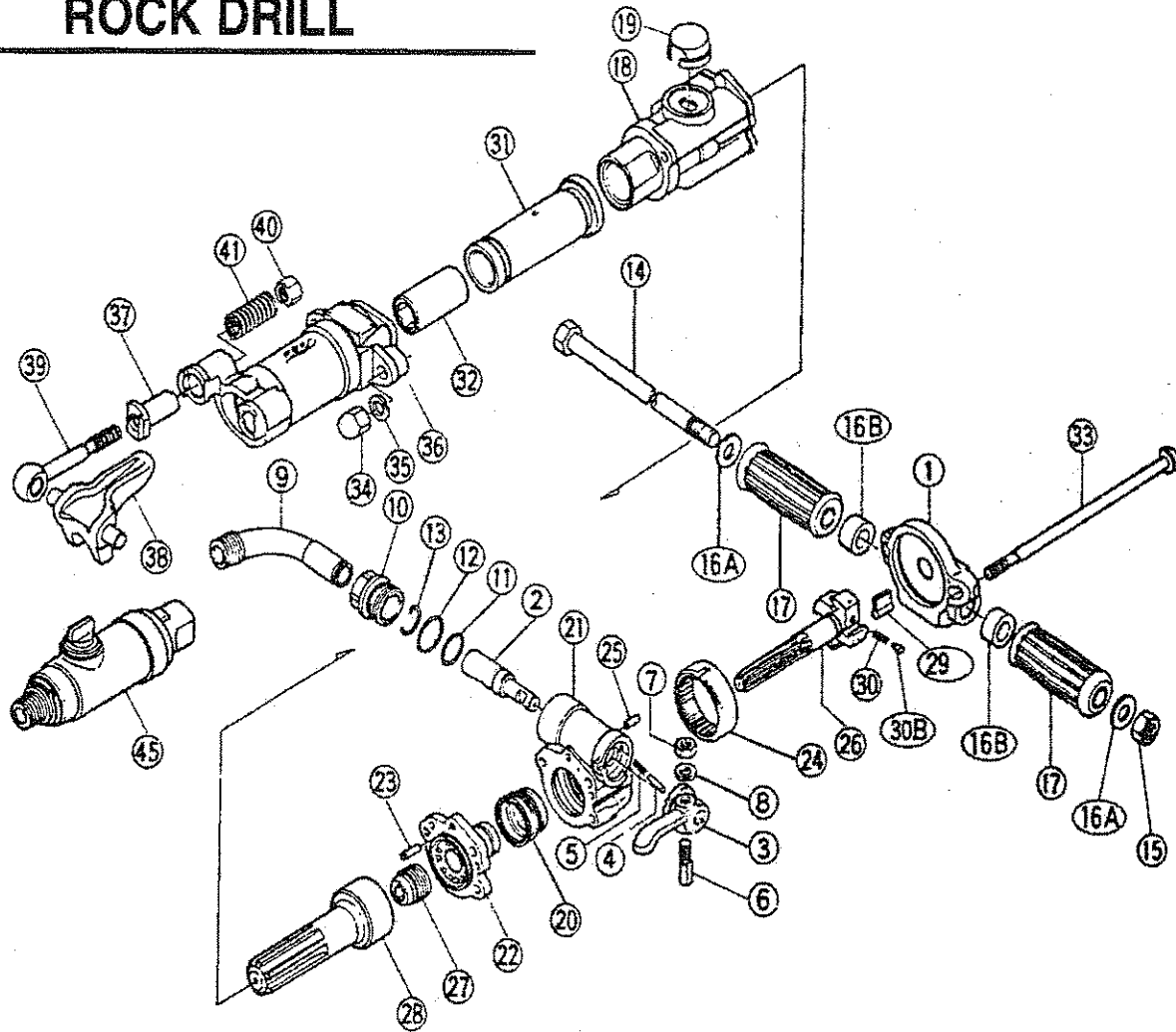


ROCK DRILL



SYM. NO.	PART NO.	CONTINENTAL NO.	DESCRIPTION	AMT. REQ.
1	RD30-01	7301	Back Head	1
2	RD30-02	7302	Throttle Valve	1
3	RD30-03	7303	Throttle Valve Handle	1
4	RD30-04	7304	Throttle Valve Plunger	1
5	RD30-05	7305	Throttle Valve Spring	1
6	RD30-06A	7306	TV Bolt-Coarse Thread	1
	RD30-07A	7307	TV Nut (M10)-Coarse Thread	1
8	RD30-08	7308	Throttle Valve Washer	1
9	RD30-09	7309	Air Connection Tube	1
10	RD30-10	7310	Air Connection Nut	1
11	RD30-11	7311	Air Connection O-Ring (P-24)	1
12	RD30-12	7312	Air Connection O-Ring (P-30)	1
13	RD30-13	7313	Air Connection Clamp	1
14	RD30-14	7314	Handle Bolt	1
15	RD30-15	7315	Handle Bolt Nut	1
16-A	RD30-16A	7316-A	Handle Bolt Washer	2
16-B	RD30-16B	7316-B	Grip Handle Washer	2
17	RD30-17	7317	Handle Grip	2
18	RD30-18	7318	Cylinder	1
19	RD30-19	7319	Exhaust Cap	1
20	RD30-20	7320	Valve	1
21	RD30-21	7321	Valve Chest	1
22	RD30-22	7322	Valve Guide	1
23	RD30-23	7323	Valve Knock	1
24	RD30-24	7324	Ratchet	1

SYM. NO.	PART NO.	CONTINENTAL NO.	DESCRIPTION	AMT. REQ.
25	RD30-25	7325	Ratchet Key	1
26	RD30-26A	7326	Rifle Bar (New Style)	1
27	RD30-27	7327	Rifle Nut	1
28	RD30-28	7328	Piston	1
29	RD30-29	7329-A	Rotation Pawl	4
30	RD30-30A	7330	Pawl Spring (New Style)	4
30-B	RD30-30B	7329-B	Pawl Plunger	4
31	RD30-31	7331	Rotation Sleeve-Long 6-1/2"	(1)
	RD30-31A	7331-A	Rotation Sleeve-Short 5-1/2"	1
32	RD30-32	7332	Sleeve Bushing-Long 3-5/8"	(1)
	RD30-32A	7332-A	Sleeve Bushing-Short 2-5/8"	1
33	RD30-33	7333	Through Bolt	2
34	RD30-34	7334	Through Bolt Nut	2
35	RD30-35	7335	Through Bolt Washer	2
36	RD30-36	7336	Front Head-Long 8-3/4"	(1)
	RD30-36A	7336-A	Front Head-Short 7-3/4"	1
37	RD30-37	7337	Front Head Bushing	2
38	RD30-38	7338	Steel Holder	1
39	RD30-39	7339	Steel Holder Bolt	2
40	RD30-40	7340	Steel Holder Nut	2
41	RD30-41	7341	Steel Holder Spring	2
45	RD30-45P	7345	Line Oiler	1