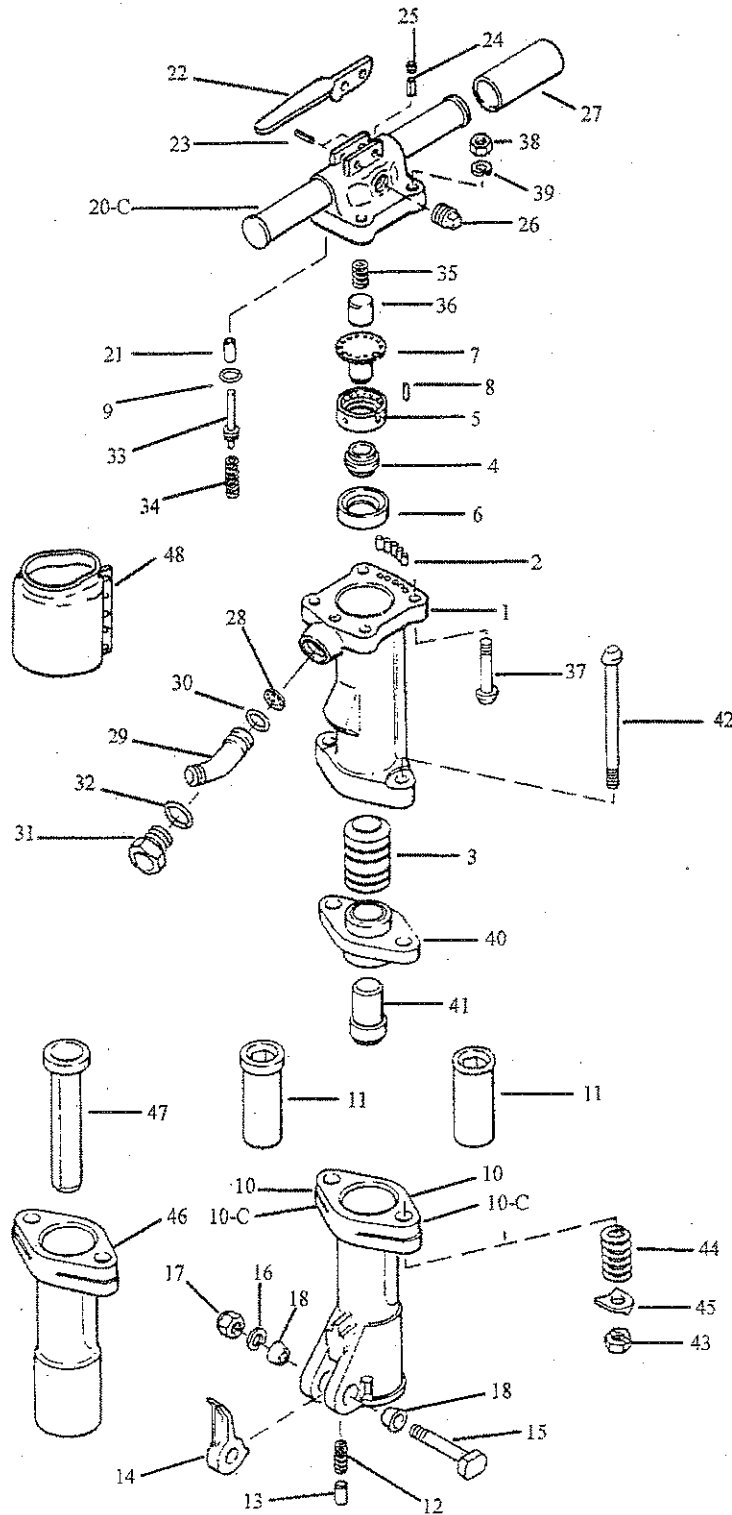


# K125R Redline Paving Breaker



# K125R Redline Paving Breaker

## Parts List

Item	Kent P/N	Qty	Description	Item	Kent P/N	Qty	Description
<u>Cylinder</u>							
1	K05728	1	Cylinder				
2	K04039	5*	Cylinder Nylon Plug	20-C	K05722	1	<u>Handle</u> Backhead Complete (Before S/N 62000)
3	K00042	1	Piston		K18951	1	Backhead, Bare (After S/N 62000)
4	K05700	1*	Automatic Valve				
5	K05704	1	Valve Chest	21	K01294	1*	Throttle Lever Bushing (Item 21 eliminated after S/N 62000)
6	K05705	1	Valve Chest Seat	22	K01296	1*	Throttle Lever
7	K05702	1	Valve Guide Stem	23	K01292	1*	Throttle Lever Pin (Before S/N 62000)
8	K05701	1*	Valve Chest Dowel		K18952	1	Throttle Lever Pin (After S/N 62000)
9	K05706	1*	Valve Port "O"-Ring				
<u>Front Head</u>							
(Items 10-C thru 11 before S/N 58000)							
10-C	KBM05671	1	Front Head Complete 1-1/8 Hex	24	K00591	1*	Oil Control Filter
10	KBM05715	1	Front Head w/K01400 Bushing	25	K00731	1*	Oil Control Plug
11	K01400	1*	Front Head Bushing 1-1/8 Hex	26	K01143	1*	Oil Plug
10-C	KBM05672	1	Front Head Complete 1-1/4 Hex	27	K03019	1*	Grip
10	KBM05716	1	Front Head w/K01401 Bushing	NS	K04157	2	Allen Head Plugs
11	K01401	1*	Front Head Bushing 1-1/4 Hex				<u>Assembly Parts</u>
10	K01399	1	Front Head Bare	28	K00508	1*	Air Inlet Screen
<u>Front Head</u>				29	KBM01300	1*	Air Inlet Swivel(Inc.5713)
(Items 10-C thru 11 after S/N 58000)				30	K05713	1	"O"-Ring Inlet Swivel
10-C	KBM18782	1	Front Head Complete 1-1/8 Hex	31	KBM01295	1*	Air Inlet Swivel Nut (Inc.1937)
10	KBM18783	1	Front Head w/K18778 Bushing	32	K01937	1*	Air Inlet Nut "O"-Ring
11	K18778	1*	Front Head Bushing 1-1/8 Hex	33	KBM01285	1*	Throttle Valve w/"O"-Ring (Inc.1613,1546 "O"-Rings)
10-C	KBM18784	1	Front Head Complete 1-1/4 Hex	34	K01291	1*	Throttle Valve Spring
10	KBM18785	1	Front Head w/K18781 Bushing	35	K01298	1*	Plunger Spring(Backhead)
11	K18781	1*	Front Head Bushing 1-1/4 Hex	36	K01297	1*	Plunger (Backhead) (Item 36 eliminated after S/N 62000)
10	K18787	1	Front Head Bare	37	KBM01126	1	Backhead Bolt Assembly (Inc.1125 & 9847)
12	K01288H	1*	Retainer Spring	38	K01274	1	Backhead Bolt Nut
13	K01287	1*	Retainer Plunger	39	K09847	1*	Backhead Bolt Lockwasher
14	K01136	1*	Retainer	40	K05709	1	Tappet Seat
15	K01132	1*	Retainer Bolt	41	K00068	1	Tappet
16	K03997	1*	Retainer Bolt Lockwasher	42	KBM05708	1	Front Head Bolt (Inc.1129)
17	K00954	1*	Retainer Bolt Nut	43	K01129	1*	Front Head Bolt Nut
18	K05719	2*	Retainer Bolt Bushing (Rubber) Standard	44	K01290	1*	Front Head Bolt Spring
NS	K01131	2	Retainer Bolt Bushing (Steel) Optional	45	K01289	1	Front Head Bolt Lockwasher
				<u>Accessory</u>			
				46	K05646	1	Spike Driver Head
				47	K05647	1	Spike Driver Dolly
				48	K05769	1	Muffler (125R)

\*Depicts Interchangeable Parts of 123R and 125R Redline Tools