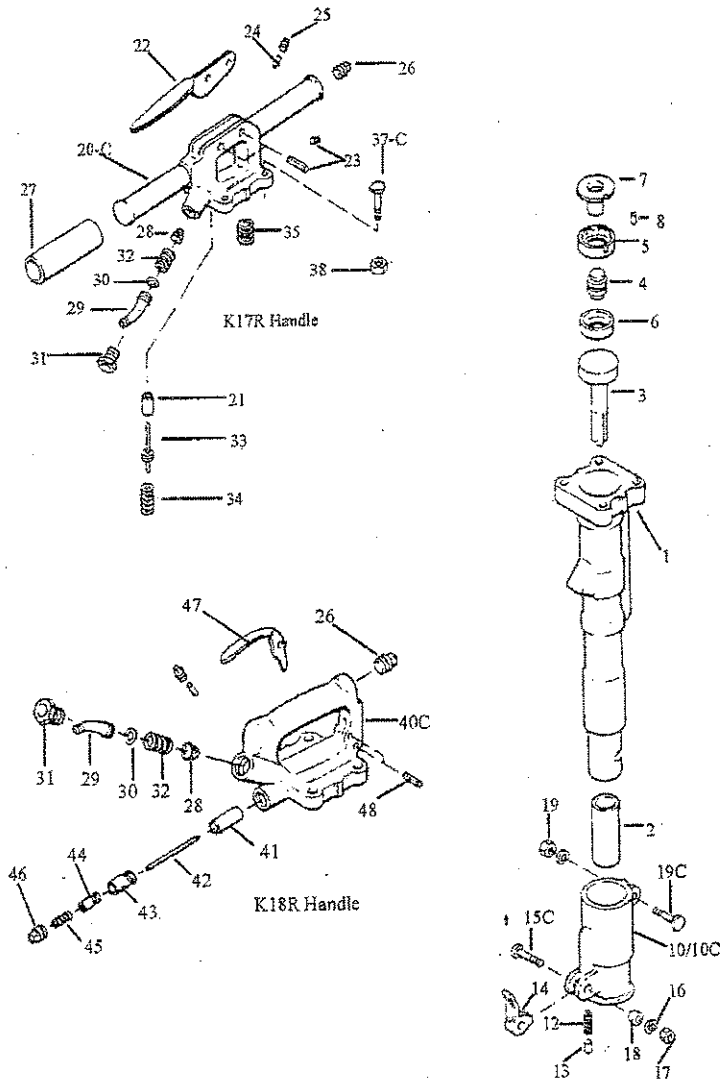


# K17R / K18R / K17RT Clay Spade/Breaker/Trench Digger

## Parts List



<u>Handle (18R)</u>		
40-C	K06144	Spade Handle
41	K02040	Push Pin Bushing
42	K02039	Push Pin
43	K02038	Throttle Bushing
44	K02036	Throttle Valve
45	K05204	Throttle Spring
46	K01143	Valve Cap (Oil Plug Sub)
47	K06109	Trigger
48	K02041	Pivot & Stop Pin
(Also includes items 24-26 & 28-32)		

Item	Kent P/N	Description
<u>Cylinder</u>		
1	K06145	Cylinder
2	K01280	Chuck 7/8" Hex 3-1/4"
	K01282	Chuck 1" Hex 4-1/4"
3	K00021	Piston
4	K06102	Automatic Valve
5	K06107	Valve Chest
6	K06108	Valve Chest Seat
7	K06103	Valve Chest Plate
8	K06105	Valve Chest Dowel Pin
<u>Retainer</u>		
10-C	KBM06146	Front Head Complete
10	K01283	Front Head Bare
12	K02033	Retainer Spring
13	K02034	Retainer Plunger
14	K01137	Retainer
15-C	KBM01139	Retainer Bolt w/K00520, K09847
16	K09847	Retainer Bolt Washer
17	K00520	Retainer Bolt Nut
18	K00667	Retainer Bolt Bushing
19-C	KBM06131	Front Head Bolt w/K00694
19	K00694	Front Head Bolt Nut
<u>Handle (17R)</u>		
20-C	K06142	Paving Breaker Handle
21	K01203	Valve Bushing (No Longer Used)
22	* K01296	Throttle Lever
23	* K01292	Pivot & Stop Pin
24	* K00591	Oil Felt
25	* K00731	Oil Felt Plug
26	** K01143	Oil Plug
27	* K03019	Rubber Grip
28	K02043	Screen
29	K06116	Air Swivel
30	K02278	Air Swivel O-Ring
31	K06113	Air Swivel Nut
32	K06114	Air Swivel Spring
33	* KBM01285	Throttle Valve
34	K06123	Throttle Spring
35	K06104	Back Head Spring
37-C	KBM06129	Handle Bolt w/K00694
38	K00694	Handle Bolt Nut
<u>Handle (17RT)</u>		
NS	K18919	Trencher Digger Handle
NS	KBM06129	Handle Bolt w/K00694
<u>Muffler</u>		
NS	KBM00191	MF2 Neoprene Muffler Assembly

\* Depicts interchangeable parts with 123R & 125R  
 \*\* Depicts interchangeable parts with 125R only