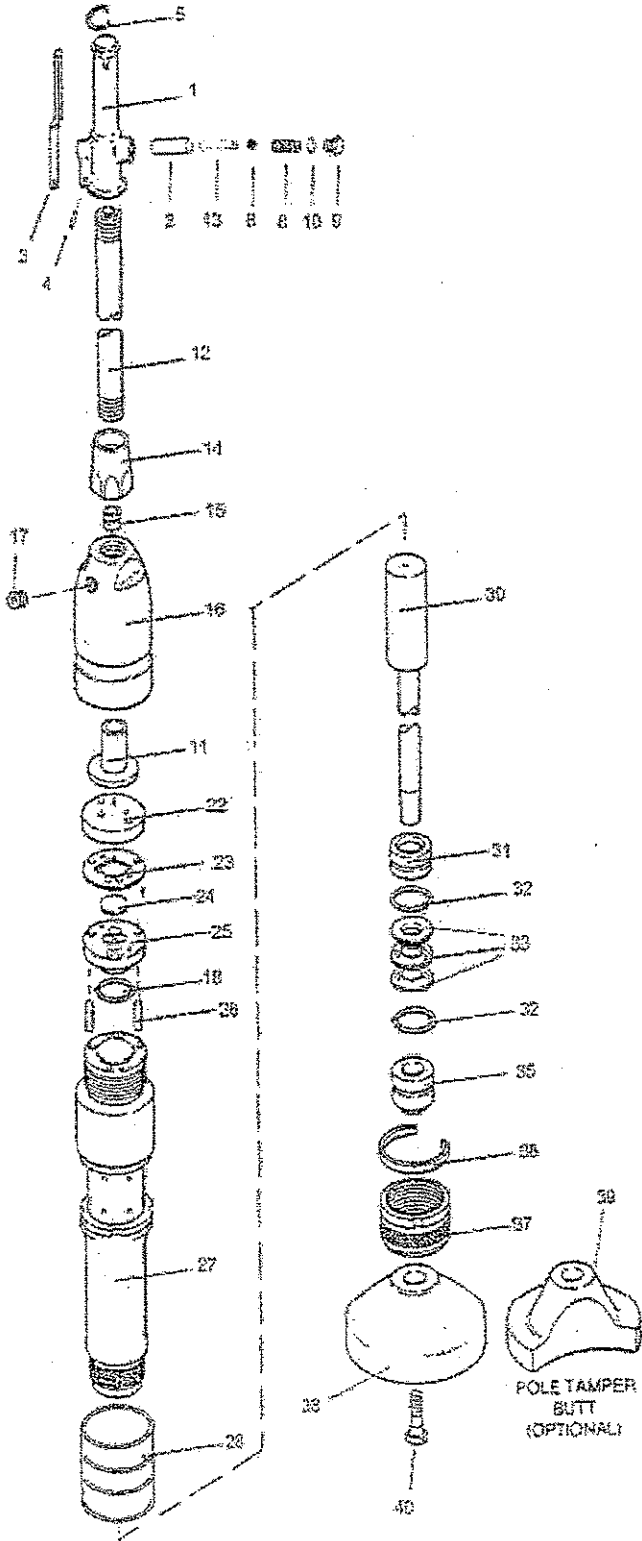


K6R Redline Tamper

Parts List



| Item | Kent P/N | Description |
|------|----------|-----------------------------|
| 1 | K02302 | Throttle Body Complete |
| 2 | K18480 | Throttle Valve Bushing |
| 3 | K00604 | Throttle Lever |
| 4 | K00605 | Throttle Lever Fulcrum Pin |
| 5 | K09648 | Throttle Lever Lock Clip |
| 6 | K04277 | Throttle Ball (New Style) |
| 8 | K04284 | Throttle Valve Spring (New) |
| 9 | K18483 | Throttle Valve Plug (New) |
| 10 | K04290 | Throttle Valve Plug O-Ring |
| 11 | K04292 | Oil Reservoir End Cap |
| 12 | K04410 | Connecting Pipe |
| 13 | K18484 | Push Pin Inc. K04283 (New) |
| 14 | K04258 | Connecting Pipe Nut |
| 15 | K04259 | Oil Control Bushing |
| 16 | K04271 | Backhead |
| 17 | K04282 | Oil Plug |
| 18 | K01171 | Lower Valve Block O-Ring |
| 22 | K04268 | Upper Valve Block |
| 23 | K04261 | Center Plate |
| 24 | K04500 | Valve Disk |
| 25 | K04260 | Lower Valve Block |
| 26 | K04280 | Valve Dowel Pin (2) |
| 27 | K04272 | Barrel |
| 28 | K04263 | Exhaust Deflector (Rubber) |
| 30 | K04266 | Plunger |
| 31 | KBM04265 | Upper Guide Bushing |
| 32 | K01114 | Guide Bushing O-Ring (2) |
| 33 | K04287 | Plunger Packing Set |
| 35 | KBM04286 | Lower Guide Bushing |
| 36 | K04279 | Packing Nut Lock Clip |
| 37 | K04264 | Packing Nut |
| 38 | K04316 | 6" Malleable Iron Butt |
| 39 | K01642 | Pole Tamper Butt |
| 40 | K04267 | Clamp Screw |