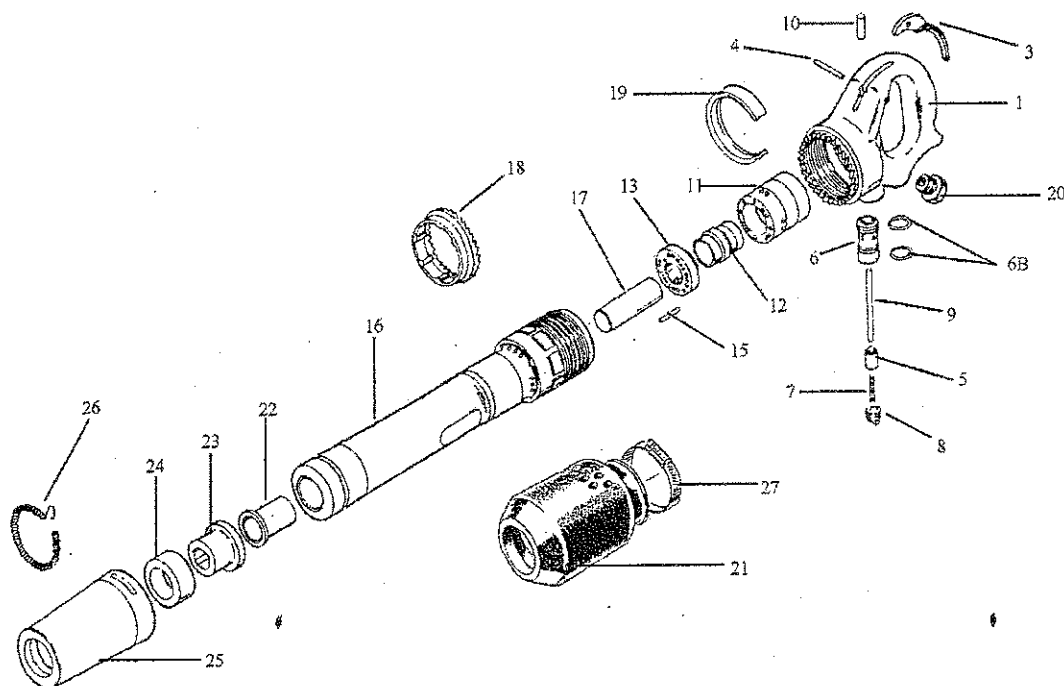


K800 / K1100 Redline Rivet Buster

Parts List



Item	Kent P/N	Description	Item	Kent P/N	Description
1	K14403	Handle Bare	15	K14418	Valve Dowel Pin
NS	K14404	Handle Complete	16	K14419	Barrel (K800)
3	K14405	Throttle Lever	NS	K14420	Barrel (K1100)
4	K14406	Throttle Lever Pin	17	K14421	Piston 3"
5	K14407	Throttle Valve	NS	K14422	Piston 4"
5B	K03034	Throttle Valve O-Ring	18	K14423	Handle Lock Ring
6	K14408	Throttle Valve Bushing	19	K14424	Handle Lock Spring
6B	K14409	O-Ring	20	K14425	Handle Bushing
7	K14410	Throttle Valve Spring	21	K14426	Muffler
8	K14411	Throttle Valve Plug	22	K14001	Upper Sleeve Bushing
9	K14412	Push Pin	23	K14029	Lower Sleeve Bushing
10	K14413	Push Pin Bushing	24	K14030	Retainer Bumper
11	K14414	Valve Box	25	K14031	Retainer
12	K14415	Valve	26	K14032	Retainer Spring
13	K14416	Valve Cover Front	27	K14427	Muffler Clamp
NS	K14417	Valve Assembly	NS	K14428	Swivel