

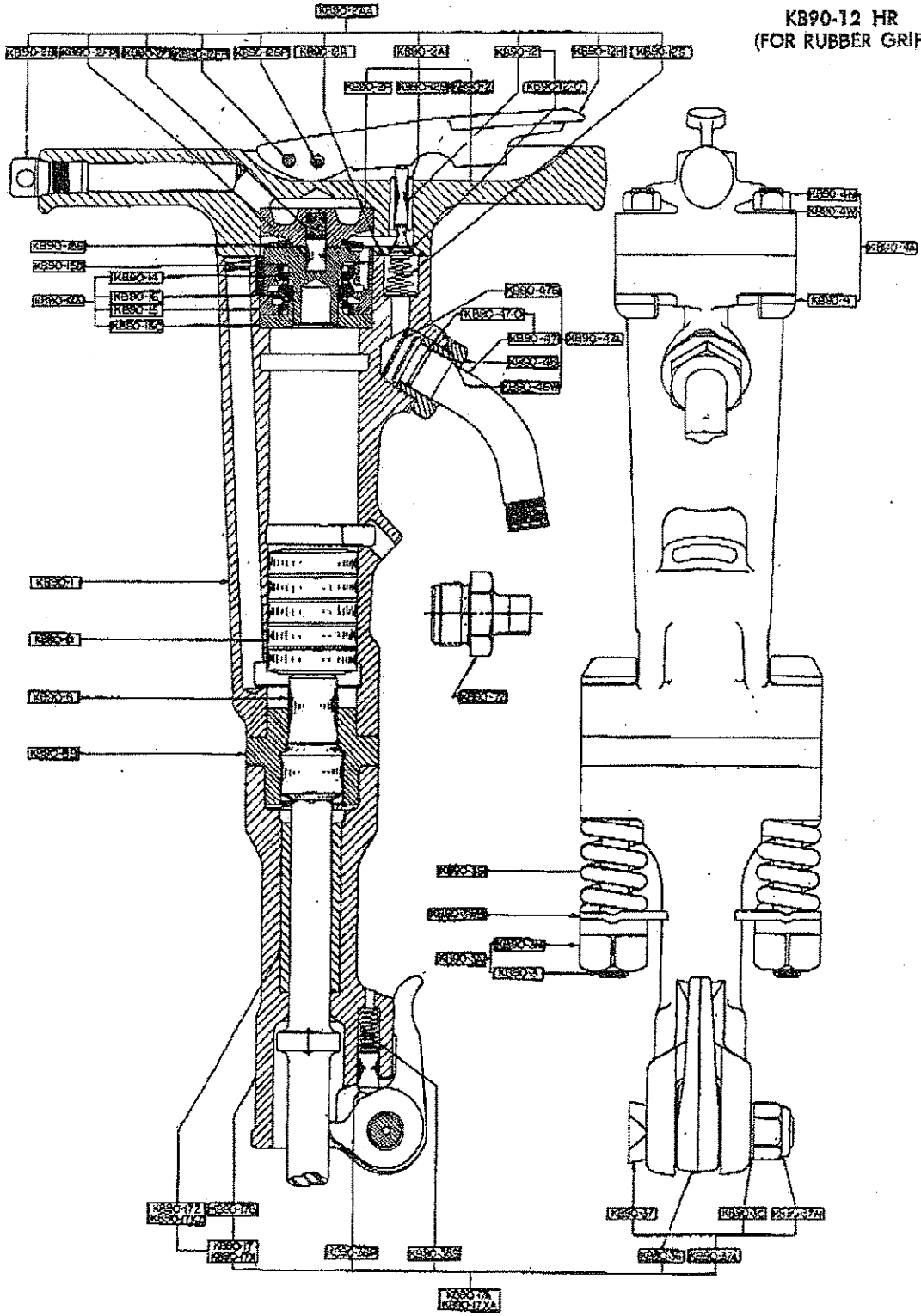
**KENT
AIR TOOL CO.**
741 Lake St. - KENT, OHIO 44240

KENT MODEL
KB90 PAVING BREAKER
KSP90 SPIKE DRIVER
KSD90 SHEETING DRIVER

REPLACEMENT
Katco
SERVICE PARTS



KB90-12 HR
(FOR RUBBER GRIP)



CROWDER SUPPLY CO., INC. - 8495 ROSLYN ST. - COMMERCE CITY, CO 80022 - TOLL FREE 888-883-5144 - www.crowdersupply.com

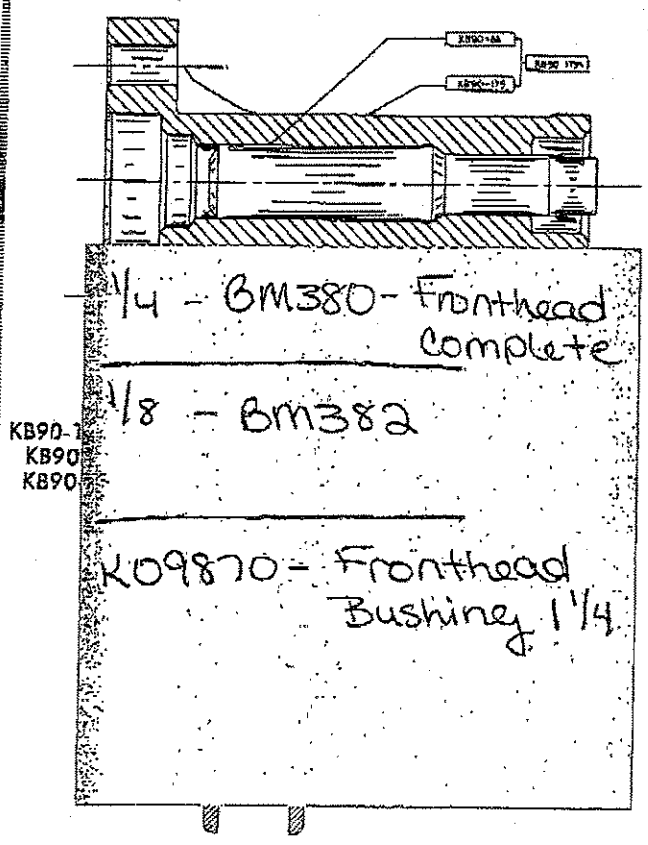


KENT MODEL
KB90 PAVING BREAKER
KSP90 SPIKE DRIVER
KSD90 SHEETING DRIVER



PART NO.	REF. NO.	NAME OF PART
HANDLE		
KB90-1AA	BM6	Handle Assembly Compl.
KB90-2A	BM101	Handle Complete
KB90-2	526	Handle Bare
KB90-12B	530	Throttle Valve Bushing
KB90-2P	527	Handle Plug Plate
KB	3021	Rubber Grip (2)
KB90-12FP	531	Fulcrum Pin
KB90-12SP	532	Stop Pin
KB90-12	528	Throttle Valve Incl. 1613
KB90-12-O	1613	Throttle Valve "O" Ring
KB9028	534	Oil Plug
KB902F	535	Lubricator Felt
KB902FP	536	Lubricator Felt Pin
KB90-12R	1590	Handle "O" Ring Seal
KB90-12S	533	Throttle Spring
KB90-12	529	Throttle Latch
CYLINDER		
KB90-1	501	Cylinder
KB90-4A	BM5	Handle Bolt Assembly
KB90-4	519	Handle Bolt
KB90-4N	520	Handle Bolt Nut
KB90-4W	521	Handle Bolt Washer
KB90-16A	BM3	Valve Assembly
KB90-15S	517	Valve Spring
KB90-14	518	Valve Stem
KB90-15	514	Valve Box
KB90-15C	515	Valve Cover
KB90-16	513	Valve
KB90-15D	516	Valve Box Dowel
KB90-9	6	Piston
KB90-47A	BM2	Air Swivel Assembly
KB90-47	507	Air Swivel Incl. 1639
KB90-47-O	1639	Air Swivel "O" Ring
KB90-46	509	Air Swivel Bushing
KB90-47S	508	Strainer
KB90-46W	510	Air Swivel Lock Washer
KB90-8B	512	Anvil Block Bushing
KB90-8	51	Anvil Block
KB90-72	511	Male Spud Optional
FRONTHEAD		
KB90-3A	BM4	Fronthead Bolt Assembly
KB90-3	522	Fronthead Bolt
KB90-3N	523	Fronthead Bolt Nut
KB90-3WB	1533	Fronthead Lock Washer
KB90-3S	525	Fronthead Spring
KB90-17A	BM7	Fronthead Complete (NLA)
KB90-17	537	Fronthead Incl. Bushing 1 1/4
KB90-17B	1521	Fronthead Bare
KB90-17Z	1515	Hex. Bushing 1 1/4 Hex.
KB90-36P	541	Index Pin
KB90-36S	542	Index Spring
KB90-37A	BM8	Retainer Bolt Assembly
KB90-37	543	Retainer Bolt
KB90-37N	544	Retainer Bolt Nut
KB90-37C	545	Retainer Bolt Cone Washer
KB90-36	539	Retainer

PART NO.	REF. NO.	NAME OF PART
KB90-17XA	BM9	Fronthead Complete
KB90-17X	538	1 1/4 Hex. Fronthead 1 1/4 Incl. 1516
KB90-17B	1521	Fronthead Bare
KB90-17XZ	1516	Fronthead Bushing 1 1/4 Hex.
KB90-36P	541	Index Pin
KB90-36S	542	Index Spring
KB90-37A	BM8	Retainer Bolt Assembly
KB90-37	543	Retainer Bolt
KB90-37N	544	Retainer Bolt Nut
KB90-37C	545	Retainer Bolt Cone Washer
KB90-36	539	Retainer



SHEETING DRIVER		
KSD90-17A	BM11	Sheeting Driver Fronthead Complete
KSD90-17	546	Sheeting Driver Fronthead Step Plate H.D.
KSD90-17S	547	Drive Cap Bushing
KSD90-8B	548	Drive Cap
KSD90-66	549	Check Plate
KSD90-67	550	Check Plate Bolt Assembly
KSD90-68A	BM12	Check Plate Bolt
KSD90-68	551	Check Plate Bolt Nut
KSD90-68N	552	Check Plate Bolt Assembly
KSD90-3A	BM13	Fronthead Bolt
KSD90-3	553	Fronthead Bolt Nut
KB90-3N	544	Fronthead Bolt Nut

PRICES SUBJECT TO CHANGE WITHOUT NOTICE