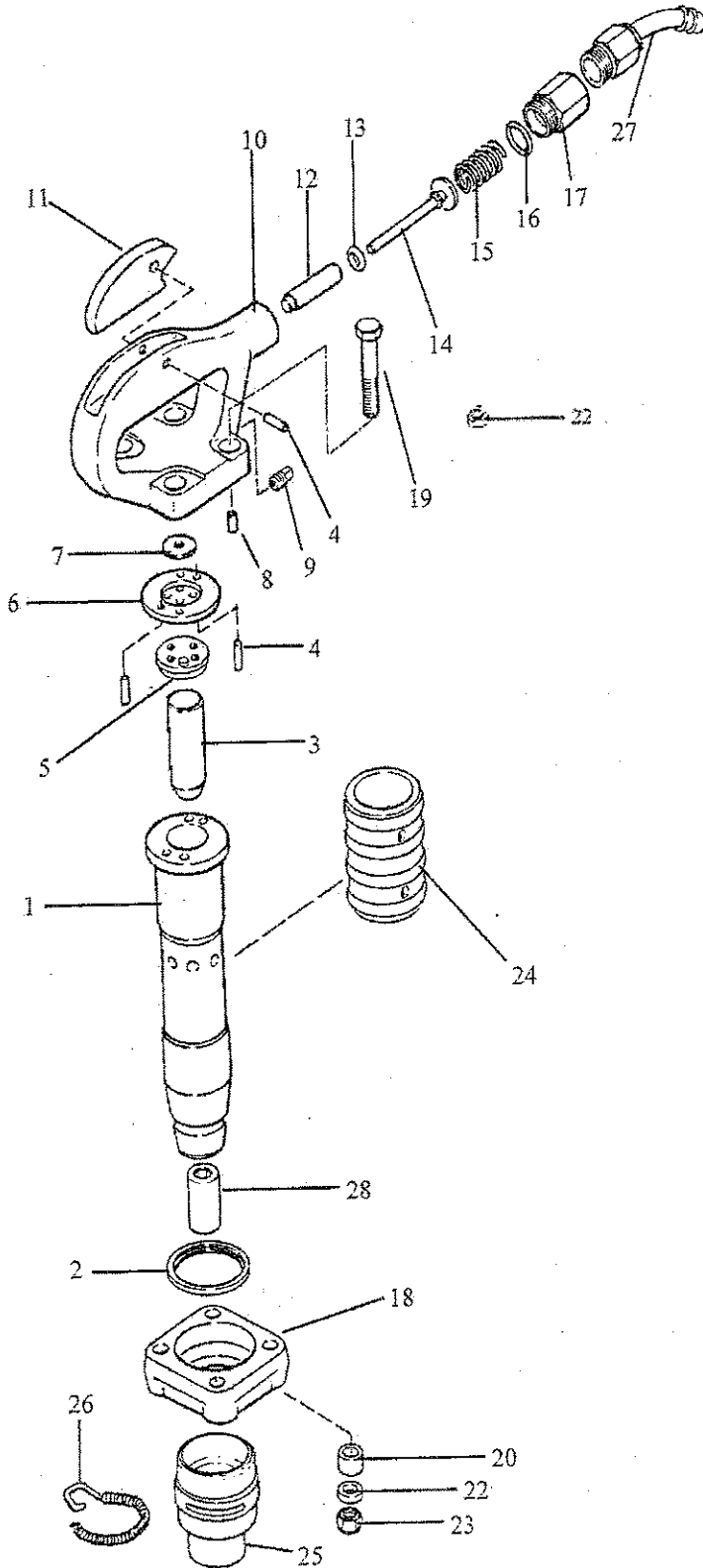


KCB 2-3-4 Redline Chipping Hammer

Parts List



Item	Kent P/N	Description
<u>Cylinder</u>		
1	K04193	Cylinder (Barrel) 2" Stroke
	K04194	Cylinder (Barrel) 3" Stroke
	K04195	Cylinder (Barrel) 4" Stroke
2	K04196	Flange Bumper Ring
3	K04273	Piston #2 Barrel
	K04274	Piston #3 Barrel
	K04275	Piston #4 Barrel
4	K04197	Pin
5	K04198	Bumper Valve Seat
6	K04199	Valve Spacer
7	K04229	Valve Plate
8	K04230	Air Plug
9	K04231	Air Plug
NS	K04232	Handle Complete
10	K04235	Handle Bare Incl. Bushing
11	K04236	Trigger (Lever)
12	K04237	Throttle Valve Bushing
13	K04238	Throttle Valve "O"-Ring
14	K04239	Throttle Valve (One Piece)
NS	K04240	Throttle Valve Incl. K04238
15	K04241	Throttle Valve Spring
16	K00479	Air Inlet Bushing "O"-Ring
17	K04246	Air Inlet 7/8 x 24 (Standard)
18	K04243	Flange
19	K04244	Handle Bolt
20	K04247	Spacer
21	K04215	Handle Bolt Washer
22	K06412	Lockwasher
NS	KBM04203	Handle Bolt Assembly (Incl. 19 - 23)
23	K04248	Handle Bolt Nut (Nylon)
24	K04249	Exhaust Deflector (Rubber)
25	K04173	Retainer Oval Collar
26	K02428	Retainer Spring (HVD Steel)
27	K02460	Swivel 7/8 x 24 (Standard)
NS	K05455	"C" Clip (Used w/ Item 27)
28	K04165	Steel Bushing .680 Round
NS	K04170	Steel Bushing .580 Hex (Optional)
NS	K04245	Bumper Washer (No Longer Used)
NS	K04188	Ball Type Retainer (Optional)