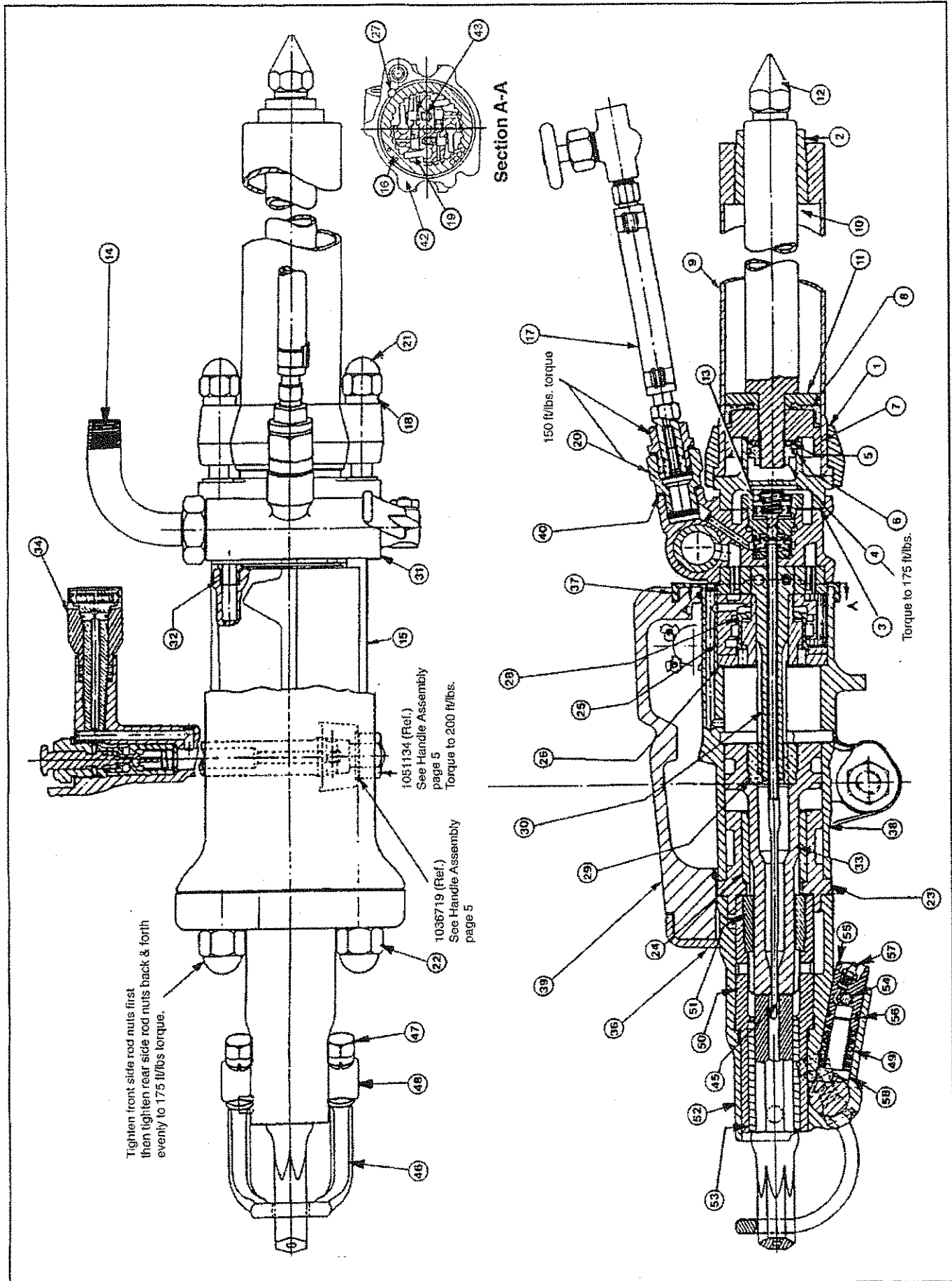


MWRB83-A STOPER ASSEMBLY



MWRB83-A STOPER ASSEMBLY

MWRB83-A Stoper Assembly 1R836BX Direct Feed Leg - 24" Change (3" I.D.) Chuck End - 7/8" Hex Liner

REF. NO.	PART NO.	DESCRIPTION	REF. NO.	PART NO.	DESCRIPTION
1	1R836BX	Feed Leg Assembly - includes items 1-12	29	S83F2528	Rifle Nut
2	RB8319	Yoke	30	S83F2628	Rifle Bar
3	RB834T	Bushing	31	RB832X	Backhead Assembly - see pg. 5 for component parts
4	RB8385	Bushing Assembly - includes ERP13 Roll Pin	32	1S83F715	Seal
5	R10421	Nut	33	S83F9H	Hammer
6	R10421W	Washer	34	RB8318HX	Handle Assembly - see page 5 for component parts
7	R10422	Clutch Ring	36	1057381	Front Muffler Bracket
8	1R83124	Piston Head	37	1057726	Rear Muffler Bracket
9	TFL682	Piston Cup	38	S83F1T	Cylinder
10	1R834	Feed Cylinder Assembly	39	1057876	Muffler
11	1R835	Feed Piston Assembly	40	S481W	Gasket
12	1R83506	Keeper	41	1739A	Tube Washer - see pg. 4, D83N40X Gland Assembly
	77S5D	Stinger Point	42	RB83715A	Nylon Plug
	1056848	Basic Module - includes items 13-44	43	S5511C	Pawl Spring
13	D83N40X	Gland Assembly - see page 4 for component parts	44	729D	Tube Gasket - see pg. 4, D83N40X Gland Assembly
14	RB83147X	Air Connection Tube Assembly - See pg. 5, RB832X Backhead Assembly	45	RB8327W	Water Tube
15	RB833	Side Rod - 2 required	46	S53F36A	Steel Puller - for 7/8" hex steel
16	RB833334	Ratchet Ring	47	S53F36N	Lock Nut - 2 required
17	RB9413X	Water Connection Tube Assembly - see pg. 4 for component parts	48	S53F36TA	Trunnion Assembly - includes (2) ORP214B O Rings
18	R683W	Washer - 2 required	49	S58F36N	Spring
19	R9111A	Pawl - 4 required	50	S58F7DA	Chuck Driver
20	S4813D	Spud	51	S63F7N	Chuck Driver Nut
21	S483N	Nut - 2 required	52	1040906	Chuck End
22	S583N	Nut - 2 required	53	1041277	Chuck Liner - 7/8" hex
23	S83F1B	Cylinder Bushing Assembly - includes item 24		S58F7TLF	Chuck Liner - 1"
24	S53F1L	Cylinder Liner	54	S58F36K	Pin
25	S83F	Valve Chest - includes items 25-28	55	S58F36RA	Retainer Assembly - includes items 56 & 57
26	S83F15	Valve Chest	56	ORP210B	O Ring
27	S83F15B	Valve Plug	57	Z1	Grease Fitting
28	S83F15D	Valve Chest Pin	58	S53F36P	Detent
	S83F16	Automatic Valve			

RB832X BACKHEAD ASSEMBLY

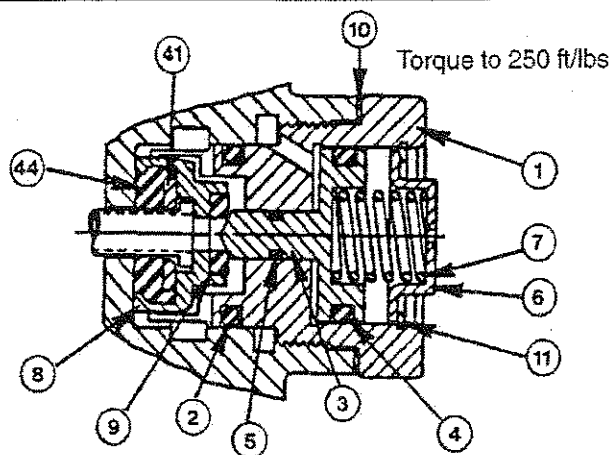
REF. NO.	PART NO.	DESCRIPTION
	S5512CX	Bolt Assembly - includes items 1-3
1	NJ5	Hex Jam Nut
2	S5512C	Bolt
3	WP14	Lockwasher
4	S58F12ED	Throttle Handle
5	S58F2D	Backhead Assembly
6	1029960	Throttle Valve (9/64" hole to leg)
7	72A	Detent
8	72ES	Spring
	RB83147X	Air Connection Tube Assembly (not included with 1R832X Backhead Assembly) - includes items 9-12
9	D73H146W	Washer
10	OR21	O Ring
11	RB83146	Swivel Spud
12	RB83147	Air Connection Tube

RB8318HX HANDLE ASSEMBLY

REF. NO.	PART NO.	DESCRIPTION
1	RB10418D	Detent - 2 required
2	RB10418P	Valve Stem
3	RB10418S	Spring
4	RB8318J	Sleeve
5	R10418B	Control Valve
	R10418CS	Retainer Assembly - includes items 6-19
6	H8118R	Washer
7	H8118S	Spring
8	R10418C	Control Valve
9	R10418V	Control Valve
10	R10418D	Retainer Ring
11	R10418E	Spring
12	R10418FA	Spring
13	R10418G	Swivel Spud
14	R10418W	Lockwasher
15	RB8318H	Handle Assembly - includes items 16 & 17
16	S5835W	Washer
17	1036722	Hex Nut

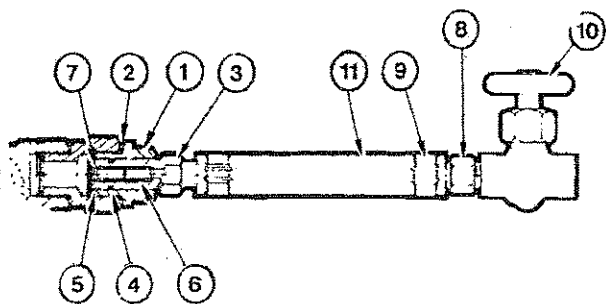
CROWDER SUPPLY CO., INC. - 8495 ROSLYN ST. - COMMERCE CITY, CO 80022 - TOLL FREE 888-883-5144 - www.crowdersupply.com

D83N40X GLAND ASSEMBLY



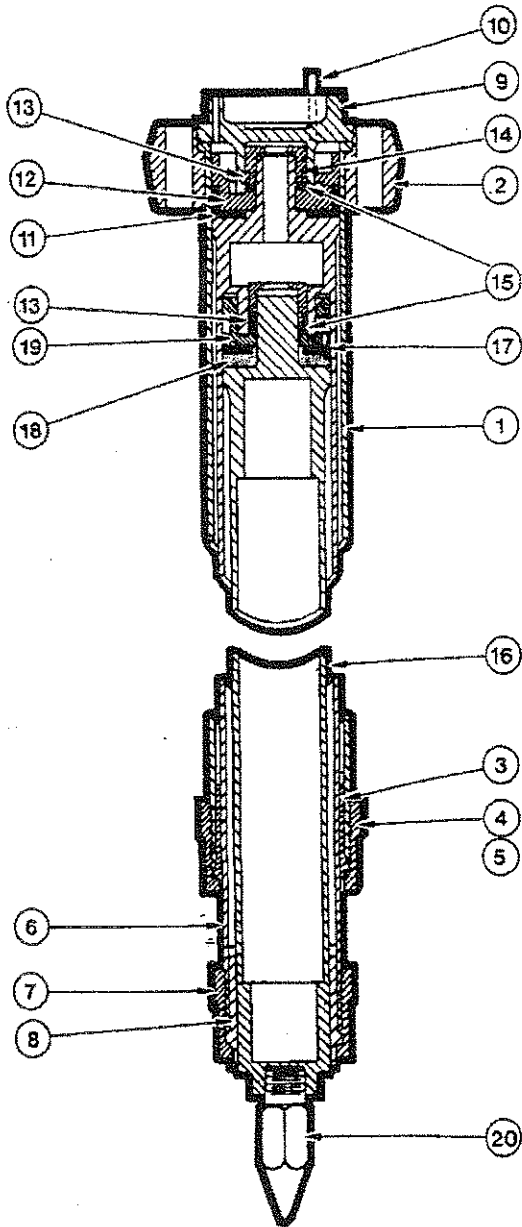
REF. NO.	PART NO.	DESCRIPTION
1	D83N40	Gland Assembly - includes item 2
2	OR18	O Ring
3	D83N41	Poppet Valve Assembly - includes items 4-5
4	OR18	O Ring
5	OR3	O Ring
6	D83N42	Retainer
7	D83N43	Spring
8	D83N44	Retainer
9	D83N45	Valve Seat
10	D8340	Washer
11	TRR5	Retaining Ring

RB9413X WATER CONNECTION TUBE ASSEMBLY



REF. NO.	PART NO.	DESCRIPTION
	RB9413X	Water Connection Tube Complete - includes items 1-11
1	S4813E	Swivel Spud
2	S481W	Washer
3	RB9413T	Water Connection Tube Assembly - includes O Ring
4	OR10	O Ring
5	D9313R	Retainer Ring
6	S4813S	Screen
7	OR5	O Ring
8	18A44	Hose Nipple
9	PK5	Hose Clamp - 2 required
10	50	Valve
11	SHC13NE	Air Hose

1R836CX TELESCOPIC FEED LEG



- Stainless Steel Telescopic Feed Leg
- 2-5/8" and 3-1/8" I.D. Cylinders
- 36" Change

REF. NO.	PART NO.	DESCRIPTION
1	RB8380RAS	Feed Cylinder
2	RB8319	Yoke
3	RB8386	Bushing
4	RB8330A	Cap Assembly - includes insert
5	RB8330R	Insert
6	1R835L	Feed Piston
7	RB834D	Cap
8	RB834E	Bushing
9	RB8385	Bushing Assembly - includes roll pin
10	ERP13	Roll Pin
11	1R8320C	Piston Cup
12	1RB94124A	Piston Head
13	R10422	Clutch Ring - 2 required
14	RB10421	Nut - 2 required
15	RB9421W	Washer - 2 required
16	1R835H	Feed Piston
17	1R8320D	Piston Cup
18	1RB94506	Keeper
19	1RB94124	Piston Head
20	765DA	Stinger Point

MWRB83-B STOPER ASSEMBLY

**1R836BX Direct Feed Leg - 24" Change
Chuck End - 1" Hex Liner**

REF. NO.	PART NO.	DESCRIPTION
46	S53F36B	Steel Puller - for 1" Hex Steel
53	S58F7TLF	Chuck Liner - 1" Hex

MWRB83-E STOPER ASSEMBLY

**1R836CX Telescopic Feed Leg - 36" Change
Chuck End - 7/8" Hex Liner**

Same as MWRB83-A (see pages 2 & 3) except for the Telescopic Feed Leg.
Omit items 1-12 on page 3 and substitute the 1R836CX Telescopic Feed Leg parts listed on page 6.

MWRB83-F STOPER ASSEMBLY

**1R836CX Telescopic Feed Leg - 36" Change
1056852 Chuck End - 1" Hex Liner**

Same as MWRB83-A (see pages 2 & 3) except for the following items:

REF. NO.	PART NO.	DESCRIPTION
46	S53F36B	Steel Puller - for 1" Hex Steel
53	S58F7TLF	Chuck Liner - 1" Hex

Omit items 1-12 on page 3 and substitute the 1R836CX Telescopic Feed Leg parts listed on page 6.