

VANAIR TR-500 Power Tool Rack, Accessories, and Tools

The Accessories that Excel

Complement your air compressor by choosing from the complete line of Vanair accessories. From hose reels, air hoses, and fittings to aftercoolers, back-saving tool racks, and tool oilers/lubricators, rely on Vanair to provide you with the accessories to help you excel.

The Tools of the Trade

With Vanair, you're not just buying air tools. You're buying decades of expertise in the production of air tools. As a proud representative of the complete line of Sullair® air tools, you can rely on tools that have earned a reputation for innovative design, quality construction, and extremely dependable performance.

The Company to Compete

Every product that Vanair designs, engineers, and manufactures is backed by years of technological experience, expertise, and a commitment to continuous improvement.

You've worked with Vanair professionals to match the right air compressor unit to your applications. Now you've got the opportunity to choose from the complete array of customized accessories and tools – all housed in the TR-500 Power Tool Rack – so that you can put the power to work to tackle the toughest challenges.

Put the Power to Work

Vanair TR-500 Power Tool Rack,
Accessories, and Tools



VANAIR
AIR POWER TO GO™



TR-500 Power Tool Rack



The Vanair TR-500 Power Tool Rack

Designed to eliminate the back-breaking labor of loading and unloading your crew's tools, the Vanair TR-500 Power Tool Rack easily handles up to three pneumatic tools, safely securing them during transport and, at the job site, lifting them safely from the truck to ground level. A tool box component is also available.

Factory Installed or Field Mounted

The TR-500 is available factory installed on your truck's service body or walk-in van or can be field mounted by a local dealer in your area.

Dependable Power

Driven by your truck's electrical system, a 12-volt motor drives the TR-500's self-contained 2000 psi hydraulic system.

Custom Applications

Depending on your needs, Vanair can customize the TR-500 to serve a variety of functions and perform a number of tasks.

ACCESSORIES

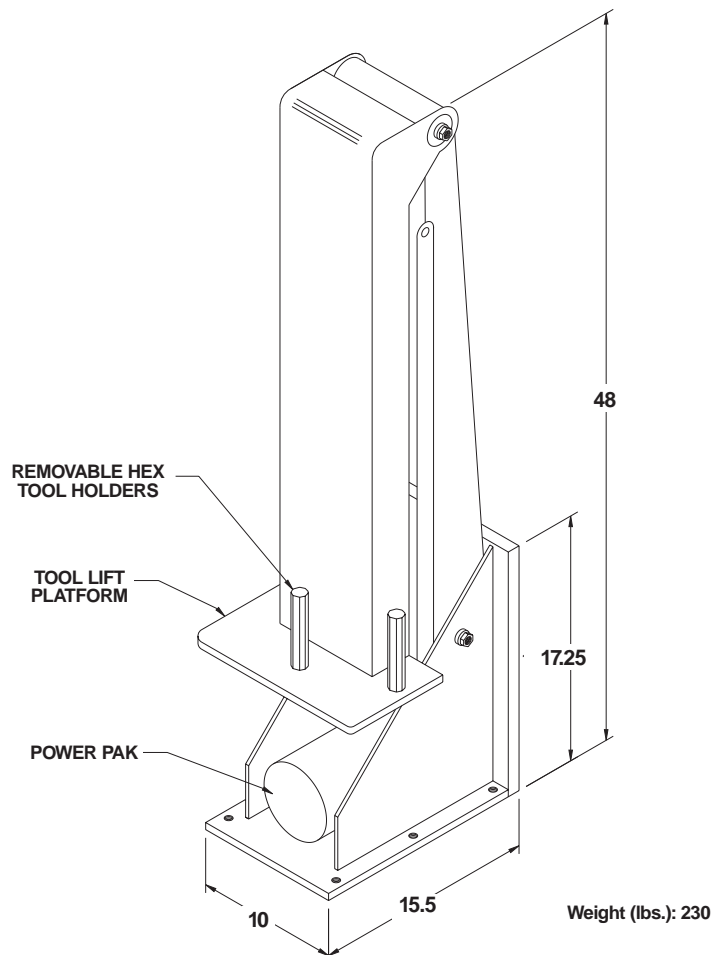
Vanair offers the accessories you need to enhance your unit and optimize your performance, including:

- Aftercoolers
- Service/control line moisture separators
- Tool oiler/lubricator
- Filter/lubricator/regulator (FLR)
- Dual-pressure option
- Hose reels, air hoses, and fittings
- OSHA safety valve (velocity fuse)
- Air reservoir tanks (20-, 30-, and 60-gallon)
- Chelsea® or Muncie® PTOs
- Spicer® auxiliary drivelines

TOOLS

Turn to Vanair for the complete line of Sullair® air tools:

- Paving breakers
- Rivet busters
- Chipping hammers
- Drills
- Backfill tampers
- Demolition tools
- Needle scalers
- Concrete vibrators
- Rhino® post drivers




VANAIR
AIR POWER TO GO™

19015 U.S. Hwy. 12
New Buffalo, MI 49117
(269) 469-4461
(800) 526-8817
FAX (269) 469-0497
www.vanair.com